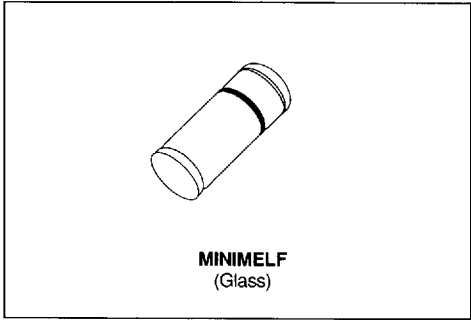


**TEMPERATURE COMPENSATED ZENER DIODES****NEW SERIE****ABSOLUTE RATINGS** (limiting values)

Symbol	Parameter	Value	Unit
$P_{tot}$	Power Dissipation	$T_{leads} = 50^{\circ}C$ 0.4	W
$T_{stg}$ $T_J$	Storage and Junction Temperature Range	- 65 to 175 - 55 to 175	$^{\circ}C$ $^{\circ}C$
$T_L$	Maximum Temperature for Soldering during 15s	260	$^{\circ}C$

**THERMAL RESISTANCE**

Symbol	Parameter	Value	Unit
$R_{th(j-l)}$	Junction-leads	300	$^{\circ}C/W$

**ELECTRICAL CHARACTERISTICS** ( $T_{amb} = 25^{\circ}C$  unless otherwise specified)

Types	$V_{ZT}$ typ. (V)	$R_{ZT}$ max. ( $\Omega$ )	$I_{ZT}$ (mA)	Test Temperatures				$\Delta V_Z^*$ max. (mV)	$\alpha V_Z$ ( $10^{-6}/^{\circ}C$ )	
				( $^{\circ}C$ )						
TMM821	6.2	15	7.5	- 55	0	+ 25	+ 75	+ 100	96	100
TMM823	6.2	15	7.5	- 55	0	+ 25	+ 75	+ 100	48	50
TMM825	6.2	15	7.5	- 55	0	+ 25	+ 75	+ 100	19	20
TMM827	6.2	15	7.5	- 55	0	+ 25	+ 75	+ 100	9	10
TMM829	6.2	15	7.5	- 55	0	+ 25	+ 75	+ 100	5	5
TMM821A	6.2	10	7.5	- 55	0	+ 25	+ 75	+ 100	96	100
TMM823A	6.2	10	7.5	- 55	0	+ 25	+ 75	+ 100	48	50
TMM825A	6.2	10	7.5	- 55	0	+ 25	+ 75	+ 100	19	20
TMM827A	6.2	10	7.5	- 55	0	+ 25	+ 75	+ 100	9	10
TMM829A	6.2	10	7.5	- 55	0	+ 25	+ 75	+ 100	5	5

\* The voltage reference diodes are characterized by the box method. The maximum allowable voltage change  $\Delta V_Z$  is guaranteed any two temperature within the range. Tests are performed at the indicated temperatures and the specified current.

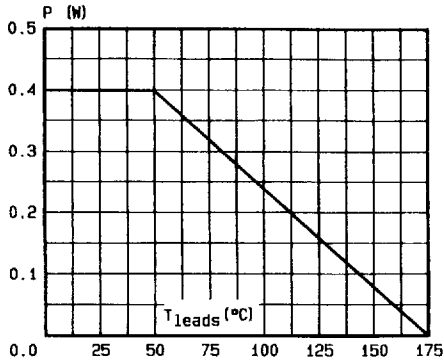


Fig.1 - Power dissipation versus leads temperature.

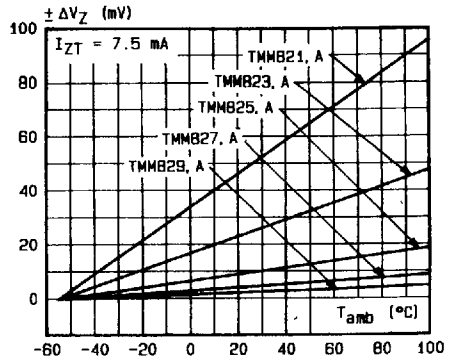
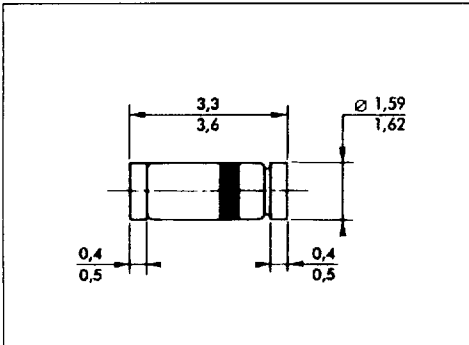


Fig.2 - Regulation voltage variation versus ambient temperature.

## PACKAGE MECHANICAL DATA

### MINIMELF Glass



Marking clear, ring at cathode end  
Weight 0.05g

### FOOT PRINT DIMENSIONS (Millimeter)

