

Round Type

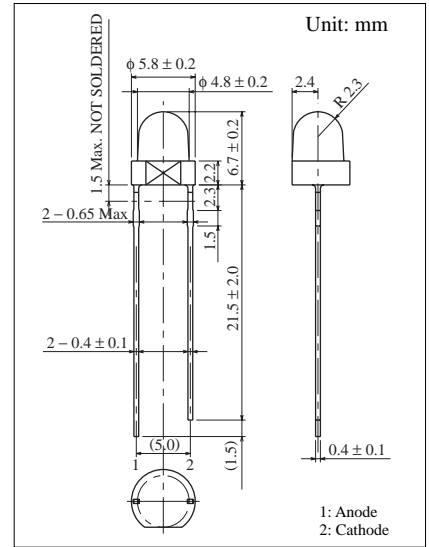
φ 4.8 mm GaP

Conventional Part No. Global Parts No. Lighting Color
 LNG3B4MPU LNG3B4MPU Green

■ Absolute Maximum Ratings (T_a = 25°C)

Lighting Color	P _D (mW)	I _F (mA)	I _{FP} (mA)*	V _R (V)	T _{opr} (°C)	T _{stg} (°C)
Green	90	30	150	4	-25 ~ +85	-30 ~ +100

I_{FP}の条件は、duty 10% Pulse width 1 msec. The condition of I_{FP} is duty 10%, Pulse width 1 msec



■ Electro-Optical Characteristics (T_a = 25°C)

Conventional Part No.	Lighting Color	Lens Color	I _O			V _F		λ _p	Δλ	I _F	I _R	
			Typ	Min	I _F	Typ	Max	Typ	Typ		Max	V _R
LNG3B4MPU	Green	Clear	120	—	20	2.2	2.8	565	30	20	10	4
Unit		—	mcd	mcd	mA	V	V	nm	nm	mA	μA	V

