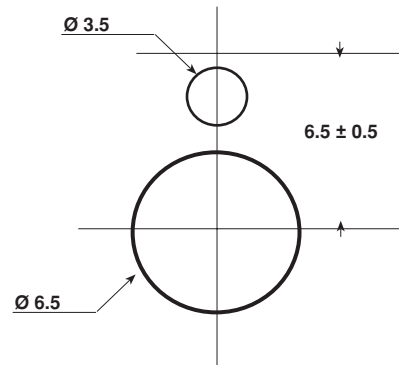
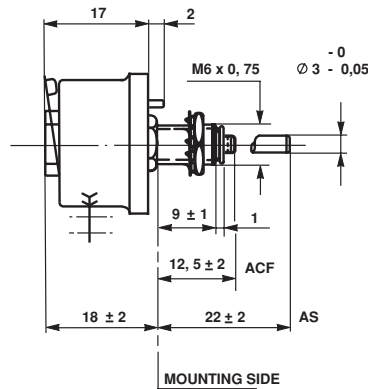
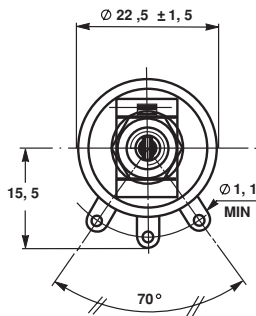


## Wirewound Rheostat/Potentiometer


**FEATURES**

- 12 Watt at 25°C
- CCTU 05-03B (PA9)
- Vitreous RT12 and Laquered RTE12 styles

**DIMENSIONS** in millimeters

**RT12-PA9**
**PANEL CUT OUT DETAILS**

**MECHANICAL SPECIFICATIONS**

<b>Mechanical Protection</b>	RT12 vitreous RTE12 lacquered
<b>Mechanical Travel</b>	290° + 15° - 10°
<b>Operating Torque</b>	1 to 10 Ncm
<b>End Stop Torque</b>	25 Ncm
<b>Unit Weight</b>	18.3 g

**ENVIRONMENTAL SPECIFICATIONS**

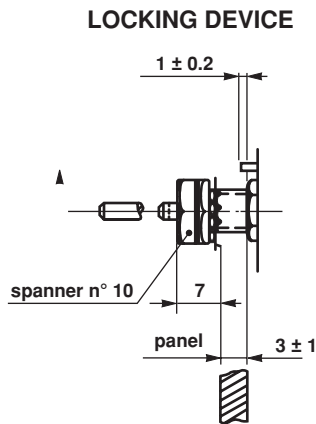
<b>Temperature Range</b>	RT12 - 55°C + 320°C RTE12 - 55°C + 220°C
<b>Climatic Category</b>	CCTU 454 CEI 55 / 200 / 56

**ELECTRICAL SPECIFICATIONS**

Ohmic Range	RT12	1Ω to 2.2kΩ
	RTE12	> 2.2kΩ to 4.7kΩ
<b>Tolerance Standard</b>		± 10%
<b>Power Rating</b>		12 W at 25°C
<b>Variation Law</b>		linear
<b>Limiting Element Voltage</b>		300V
<b>Dielectric Strength</b>		1000VRMS
<b>Insulation Resistance</b>		10 <sup>3</sup> MΩ(500Vcc)

The spindle locking device can be fitted only to special units equipped with a slotted bushing.

Order reference : B.

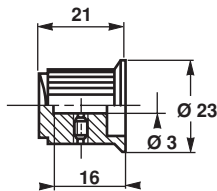


PARTICULAR CHARACTERISTICS		
NOMINAL RESISTANCE Ω	MAX. SERVICE VOLTAGE V	MAX. CURRENT THROUGH WIPER mA
1	3.46	3460
1.5	4.24	2830
2.2	5.14	2340
3.3	6.29	1910
4.7	7.51	1600
6.8	9.03	1330
10	11	1100
15	13.4	900
22	16.3	740
33	19.9	603
47	23.7	505
68	28.6	420
100	34.6	346
150	42.4	283
220	51.4	234
330	62.9	191
470	75.1	160
680	90.3	133
1 k	110	110
1.5 k	134	90
2.2 k	163	74

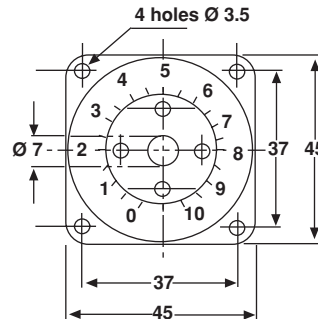
SPINDLES			
Ø mm	DISTANCE TO MOUNTING PLATE MM	SCREW DRIVER SLOT	CODE
3	12.5	WITH	ACF
3	22	WITHOUT	AS

For any special requirement on request : spindle flats, etc. Please supply detailed drawing.

### COMMAND KNOB : 20JF (OPTION)



### DIAL : CG45 (OPTION)



### MARKING

SFERNICE trademark, series, style, ohmic value in Ω or kΩ, tolerance in %, maximum current in A, manufacturing date

ORDERING INFORMATION									
VITREOUS LACQUERED	RT RTE SERIES	12 STYLE	L SPINDLE LOCKING DEVICE	AS	1.5KΩ	± 10%	OHMIC VALUE	TOLERANCE	
			Optional	VARIATION LAW	SPECIAL DESIGN	WINDING	SPINDLE (Code)		
					Method N° Optional	Optional	for special spindles please supply detailed drawing		
OPTIONS	ACC	20JF	CG45	XXX					
	MODEL	KNOB	DIAL	OTHER SPECIAL REQUIREMENTS					