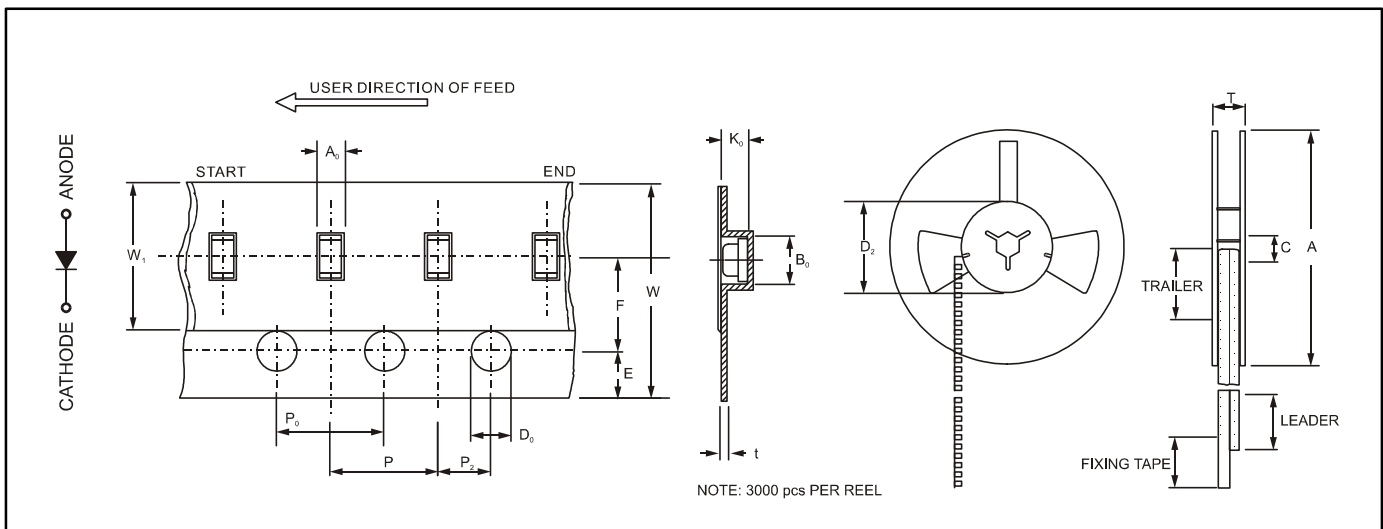




TAPE AND REEL SURFACE MOUNT CHIP LED LAMPS

- **DEVICE NUMBER: BL-Hxxx6G-TRB**
- **FEATURES:**
 - Compatible with automatic placement equipment
 - Surface Mount assembly lamp
 - High efficiency low power consumption
 - Long life solid state reliability
- **TAPING AND PACKAGING SPECIFICATION**

| ITEM | SYMBOL | SPECIFICATION | | | |
|--|--------|---------------|-------|---------|-------|
| | | Minimum | | Maximum | |
| | | mm | inch | mm | inch |
| Tape Feed Hole Diameter (DIA) | D_0 | 1.40 | 0.055 | 1.60 | 0.063 |
| Feed Hole Location | E | 1.65 | 0.064 | 1.85 | 0.073 |
| Centers Line Dimensions Length Direction | F | 3.45 | 0.135 | 3.55 | 0.139 |
| Compartment Depth | K_0 | 0.45 | 0.018 | 0.55 | 0.022 |
| Compartment Pitch | P | 3.90 | 0.153 | 4.10 | 0.161 |
| Sprocket Hole Diameter | P_0 | 3.90 | 0.153 | 4.10 | 0.161 |
| Centers Line Dimensions Length Direction | P_2 | 1.95 | 0.076 | 2.05 | 0.080 |
| Carrier Tape Thickness | t | | | 0.30 | 0.012 |
| Carrier Tape Width | W | 7.70 | 0.303 | 8.30 | 0.326 |
| Flange Diameter | A | 178.0 | 7.008 | 180.0 | 7.087 |
| Hub Spindle Hole | C | 12.5 | 0.492 | 13.50 | 0.531 |
| Hub Diameter | D_2 | 70.00 | 2.755 | 72.00 | 2.830 |
| Fixing Tape Width | W_1 | 5.25 | 0.206 | 5.35 | 0.210 |
| Flange Space Between Flanges | T | 12.50 | 0.492 | 13.50 | 0.531 |
| Compartment Length | A_0 | 0.85 | 0.033 | 0.95 | 0.037 |
| Compartment Width | B_0 | 1.70 | 0.067 | 1.80 | 0.071 |

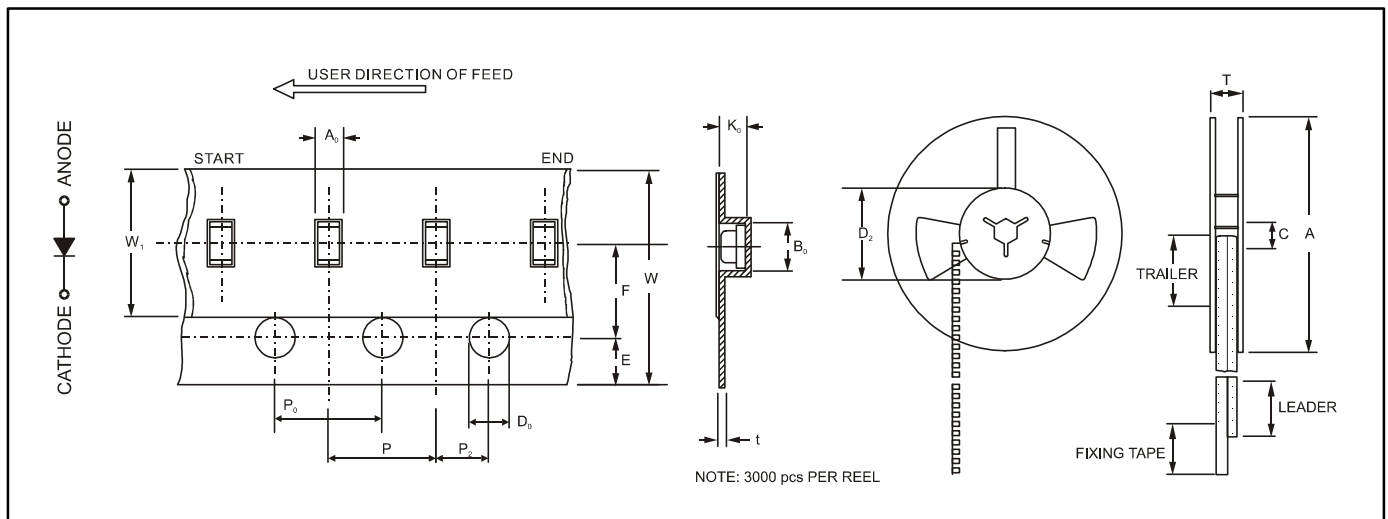




TAPE AND REEL SURFACE MOUNT CHIP LED LAMPS

- **DEVICE NUMBER: BL-Hxxx6A-TRB**
- **FEATURES:**
 - Compatible with automatic placement equipment
 - Surface Mount assembly lamp
 - High efficiency low power consumption
 - Long life solid state reliability
- **TAPING AND PACKAGING SPECIFICATION**

| ITEM | SYMBOL | SPECIFICATION | | | |
|--|--------|---------------|-------|---------|-------|
| | | Minimum | | Maximum | |
| | | mm | inch | mm | inch |
| Tape Feed Hole Diameter (DIA) | D_0 | 1.40 | 0.055 | 1.60 | 0.063 |
| Feed Hole Location | E | 1.65 | 0.064 | 1.85 | 0.073 |
| Centers Line Dimensions Length Direction | F | 3.45 | 0.135 | 3.55 | 0.139 |
| Compartment Depth | K_0 | 0.65 | 0.026 | 0.75 | 0.030 |
| Compartment Pitch | P | 3.90 | 0.153 | 4.10 | 0.161 |
| Sprocket Hole Diameter | P_0 | 3.90 | 0.153 | 4.10 | 0.161 |
| Centers Line Dimensions Length Direction | P_2 | 1.95 | 0.076 | 2.05 | 0.080 |
| Carrier Tape Thickness | t | | | 0.30 | 0.012 |
| Carrier Tape Width | W | 7.70 | 0.303 | 8.30 | 0.326 |
| Flange Diameter | A | 178.0 | 7.008 | 180.0 | 7.087 |
| Hub Spindle Hole | C | 12.50 | 0.492 | 13.50 | 0.531 |
| Hub Diameter | D_2 | 70.00 | 2.755 | 72.00 | 2.830 |
| Fixing Tape Width | W_1 | 5.25 | 0.206 | 5.35 | 0.210 |
| Flange Space Between Flanges | T | 12.50 | 0.492 | 13.50 | 0.531 |
| Compartment Length | A_0 | 0.85 | 0.033 | 0.95 | 0.037 |
| Compartment Width | B_0 | 1.70 | 0.067 | 1.80 | 0.071 |

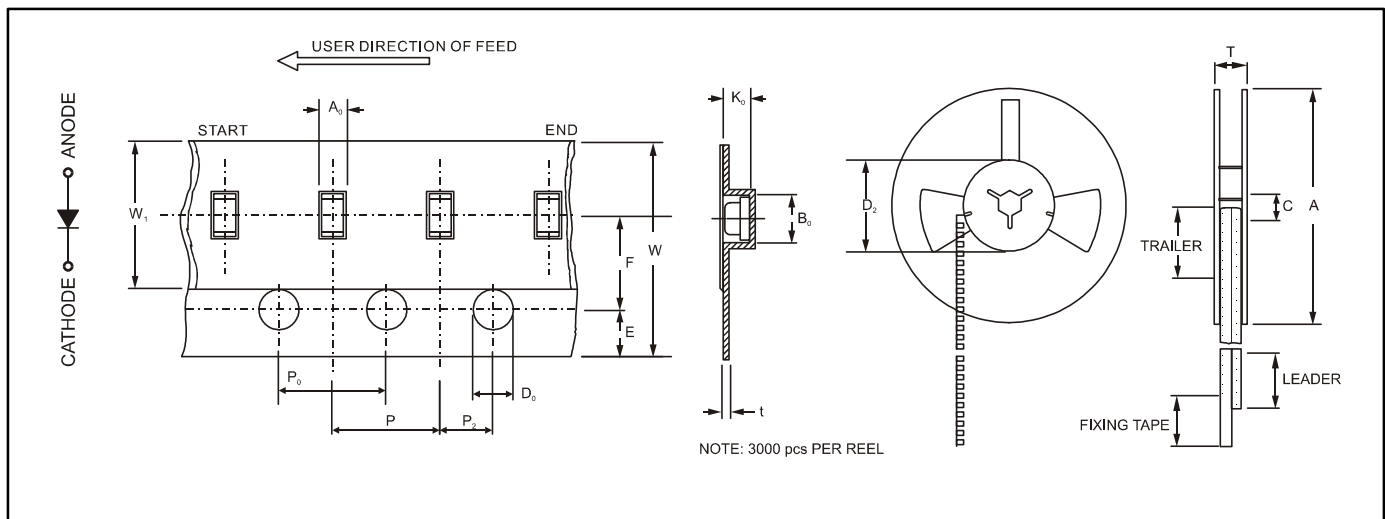




TAPE AND REEL SURFACE MOUNT CHIP LED LAMPS

- **DEVICE NUMBER: BL-Hxxx6D-TRB**
- **FEATURES:**
 - Compatible with automatic placement equipment
 - Surface Mount assembly lamp
 - High efficiency low power consumption
 - Long life solid state reliability
- **TAPING AND PACKAGING SPECIFICATION**

| ITEM | SYMBOL | SPECIFICATION | | | |
|--|--------|---------------|-------|---------|-------|
| | | Minimum | | Maximum | |
| | | mm | inch | mm | inch |
| Tape Feed Hole Diameter (DIA) | D_0 | 1.40 | 0.055 | 1.60 | 0.063 |
| Feed Hole Location | E | 1.65 | 0.064 | 1.85 | 0.073 |
| Centers Line Dimensions Length Direction | F | 3.45 | 0.135 | 3.55 | 0.139 |
| Compartment Depth | K_0 | 0.94 | 0.037 | 1.14 | 0.045 |
| Compartment Pitch | P | 3.90 | 0.153 | 4.10 | 0.161 |
| Sprocket Hole Diameter | P_0 | 3.90 | 0.153 | 4.10 | 0.161 |
| Centers Line Dimensions Length Direction | P_2 | 1.95 | 0.076 | 2.05 | 0.080 |
| Carrier Tape Thickness | t | | | 0.30 | 0.012 |
| Carrier Tape Width | W | 7.70 | 0.303 | 8.30 | 0.326 |
| Flange Diameter | A | 178.0 | 7.008 | 180.0 | 7.087 |
| Hub Spindle Hole | C | 12.50 | 0.492 | 13.50 | 0.531 |
| Hub Diameter | D_2 | 70.00 | 2.755 | 72.00 | 2.830 |
| Fixing Tape Width | W_1 | 5.25 | 0.206 | 5.35 | 0.210 |
| Flange Space Between Flanges | T | 12.50 | 0.492 | 13.50 | 0.531 |
| Compartment Length | A_0 | 0.98 | 0.039 | 1.18 | 0.046 |
| Compartment Width | B_0 | 1.78 | 0.070 | 1.98 | 0.078 |

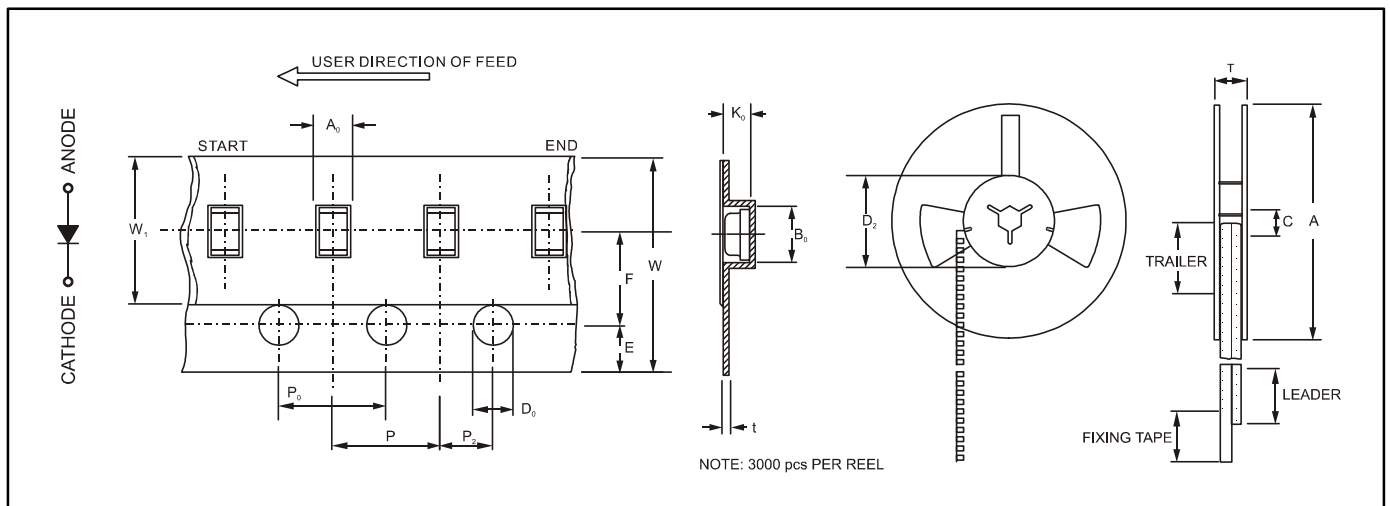




TAPE AND REEL SURFACE MOUNT CHIP LED LAMPS

- **DEVICE NUMBER: BL-Hxxx5A-TRB**
- **FEATURES:**
 - Compatible with automatic placement equipment
 - Surface Mount assembly lamp
 - High efficiency low power consumption
 - Long life solid state reliability
- **TAPING AND PACKAGING SPECIFICATION**

| ITEM | SYMBOL | SPECIFICATION | | | |
|--|--------|---------------|-------|---------|-------|
| | | Minimum | | Maximum | |
| | | mm | inch | mm | inch |
| Tape Feed Hole Diameter (DIA) | D_0 | 1.40 | 0.055 | 1.60 | 0.063 |
| Feed Hole Location | E | 1.65 | 0.064 | 1.85 | 0.073 |
| Centers Line Dimensions Length Direction | F | 3.45 | 0.135 | 3.55 | 0.139 |
| Compartment Depth | K_0 | 1.20 | 0.047 | 1.40 | 0.055 |
| Compartment Pitch | P | 3.90 | 0.153 | 4.10 | 0.161 |
| Sprocket Hole Diameter | P_0 | 3.90 | 0.153 | 4.10 | 0.161 |
| Centers Line Dimensions Length Direction | P_2 | 1.95 | 0.076 | 2.05 | 0.080 |
| Carrier Tape Thickness | t | | | 0.30 | 0.012 |
| Carrier Tape Width | W | 7.70 | 0.303 | 8.30 | 0.326 |
| Flange Diameter | A | 178.0 | 7.008 | 180.0 | 7.087 |
| Hub Spindle Hole | C | 12.50 | 0.492 | 13.50 | 0.531 |
| Hub Diameter | D_2 | 70.00 | 2.755 | 72.00 | 2.830 |
| Fixing Tape Width | W_1 | 5.25 | 0.206 | 5.35 | 0.210 |
| Flange Space Between Flanges | T | 12.50 | 0.492 | 13.50 | 0.531 |
| Compartment Length | A_0 | 1.32 | 0.052 | 1.52 | 0.060 |
| Compartment Width | B_0 | 2.16 | 0.085 | 2.36 | 0.093 |

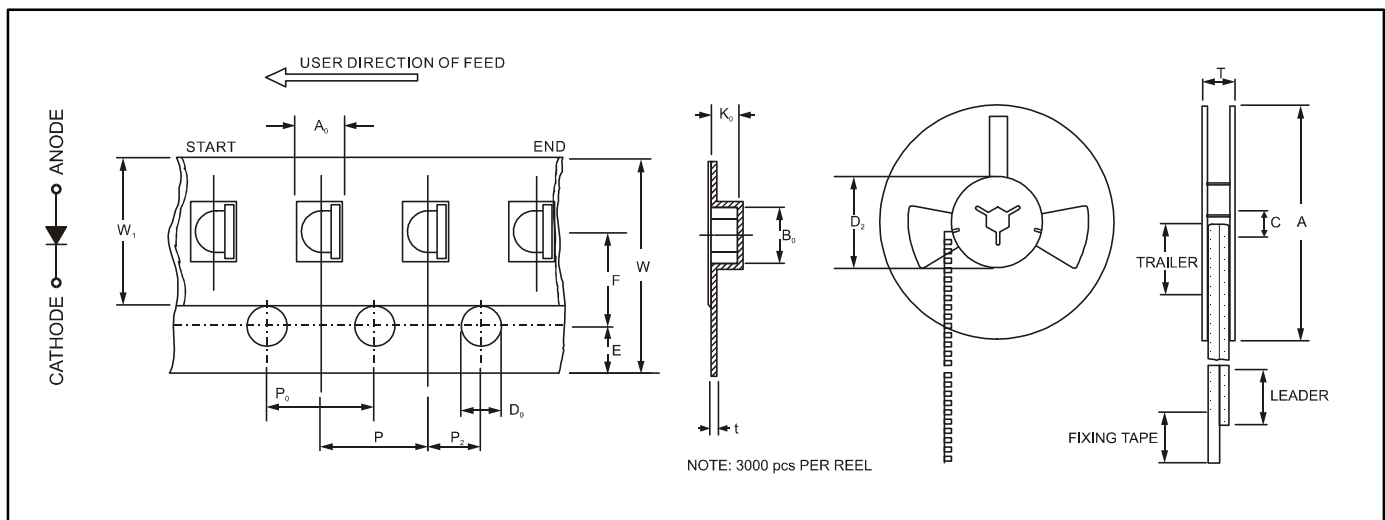




TAPE AND REEL SURFACE MOUNT CHIP LED LAMPS

- **DEVICE NUMBER: BL-Hxxx3-TRB**
- **FEATURES:**
 - Compatible with automatic placement equipment
 - Surface Mount assembly lamp
 - High efficiency low power consumption
 - Long life solid state reliability
- **TAPING AND PACKAGING SPECIFICATION**

| ITEM | SYMBOL | SPECIFICATION | | | |
|--|--------|---------------|-------|---------|-------|
| | | Minimum | | Maximum | |
| | | mm | inch | mm | inch |
| Tape Feed Hole Diameter (DIA) | D_0 | 1.40 | 0.055 | 1.60 | 0.063 |
| Feed Hole Location | E | 1.65 | 0.064 | 1.85 | 0.073 |
| Centers Line Dimensions Length Direction | F | 3.45 | 0.135 | 3.55 | 0.139 |
| Compartment Depth | K_0 | 1.17 | 0.046 | 1.37 | 0.054 |
| Compartment Pitch | P | 3.90 | 0.153 | 4.10 | 0.161 |
| Sprocket Hole Diameter | P_0 | 3.90 | 0.153 | 4.10 | 0.161 |
| Centers Line Dimensions Length Direction | P_2 | 1.95 | 0.076 | 2.05 | 0.080 |
| Carrier Tape Thickness | t | | | 0.30 | 0.012 |
| Carrier Tape Width | W | 7.70 | 0.303 | 8.30 | 0.326 |
| Flange Diameter | A | 178.0 | 7.008 | 180.0 | 7.087 |
| Hub Spindle Hole | C | 12.50 | 0.492 | 13.50 | 0.531 |
| Hub Diameter | D_2 | 70.00 | 2.755 | 72.00 | 2.830 |
| Fixing Tape Width | W_1 | 5.25 | 0.206 | 5.35 | 0.210 |
| Flange Space Between Flanges | T | 12.50 | 0.492 | 13.50 | 0.531 |
| Compartment Length | A_0 | 1.78 | 0.070 | 1.98 | 0.078 |
| Compartment Width | B_0 | 3.40 | 0.134 | 3.60 | 0.142 |

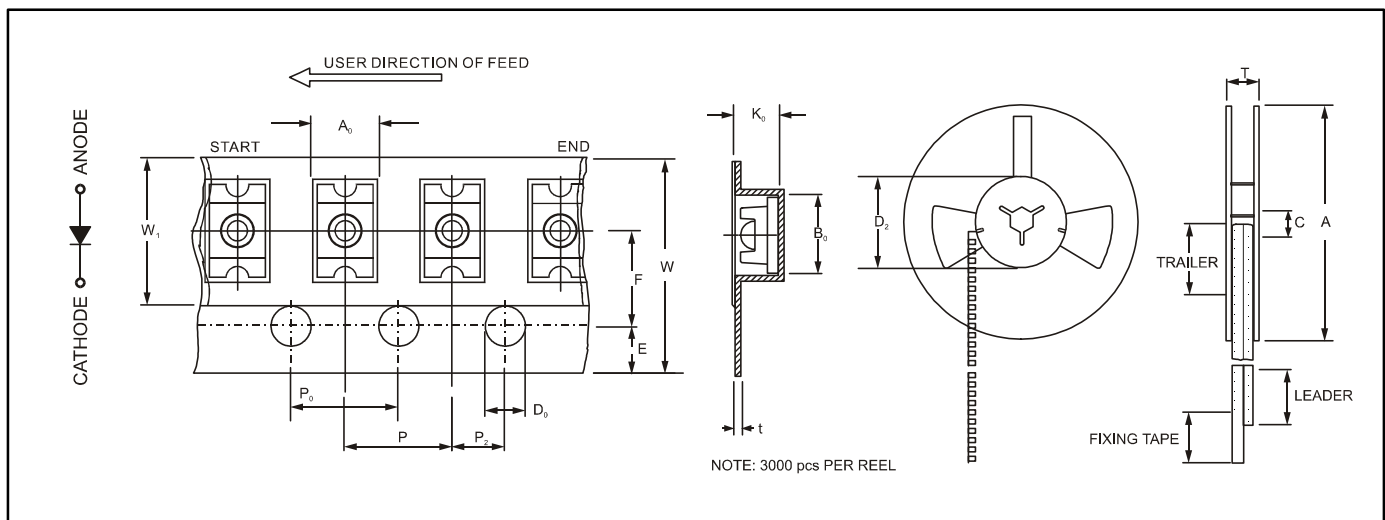




TAPE AND REEL SURFACE MOUNT CHIP LED LAMPS

- **DEVICE NUMBER: BL-Hxxx3A-TRB**
- **FEATURES:**
 - Compatible with automatic placement equipment
 - Surface Mount assembly lamp
 - High efficiency low power consumption
 - Long life solid state reliability
- **TAPING AND PACKAGING SPECIFICATION**

| ITEM | SYMBOL | SPECIFICATION | | | |
|--|--------|---------------|-------|---------|-------|
| | | Minimum | | Maximum | |
| | | mm | inch | mm | inch |
| Tape Feed Hole Diameter (DIA) | D_0 | 1.40 | 0.055 | 1.60 | 0.063 |
| Feed Hole Location | E | 1.65 | 0.064 | 1.85 | 0.073 |
| Centers Line Dimensions Length Direction | F | 3.45 | 0.135 | 3.55 | 0.139 |
| Compartment Depth | K_0 | 1.36 | 0.054 | 1.56 | 0.061 |
| Compartment Pitch | P | 3.90 | 0.153 | 4.10 | 0.161 |
| Sprocket Hole Diameter | P_0 | 3.90 | 0.153 | 4.10 | 0.161 |
| Centers Line Dimensions Length Direction | P_2 | 1.95 | 0.076 | 2.05 | 0.080 |
| Carrier Tape Thickness | t | | | 0.30 | 0.012 |
| Carrier Tape Width | W | 7.70 | 0.303 | 8.30 | 0.326 |
| Flange Diameter | A | 178.0 | 7.008 | 180.0 | 7.087 |
| Hub Spindle Hole | C | 12.50 | 0.492 | 13.50 | 0.531 |
| Hub Diameter | D_2 | 70.00 | 2.755 | 72.00 | 2.830 |
| Fixing Tape Width | W_1 | 5.25 | 0.206 | 5.35 | 0.210 |
| Flange Space Between Flanges | T | 12.50 | 0.492 | 13.50 | 0.531 |
| Compartment Length | A_0 | 1.88 | 0.074 | 2.08 | 0.082 |
| Compartment Width | B_0 | 3.37 | 0.133 | 3.57 | 0.141 |

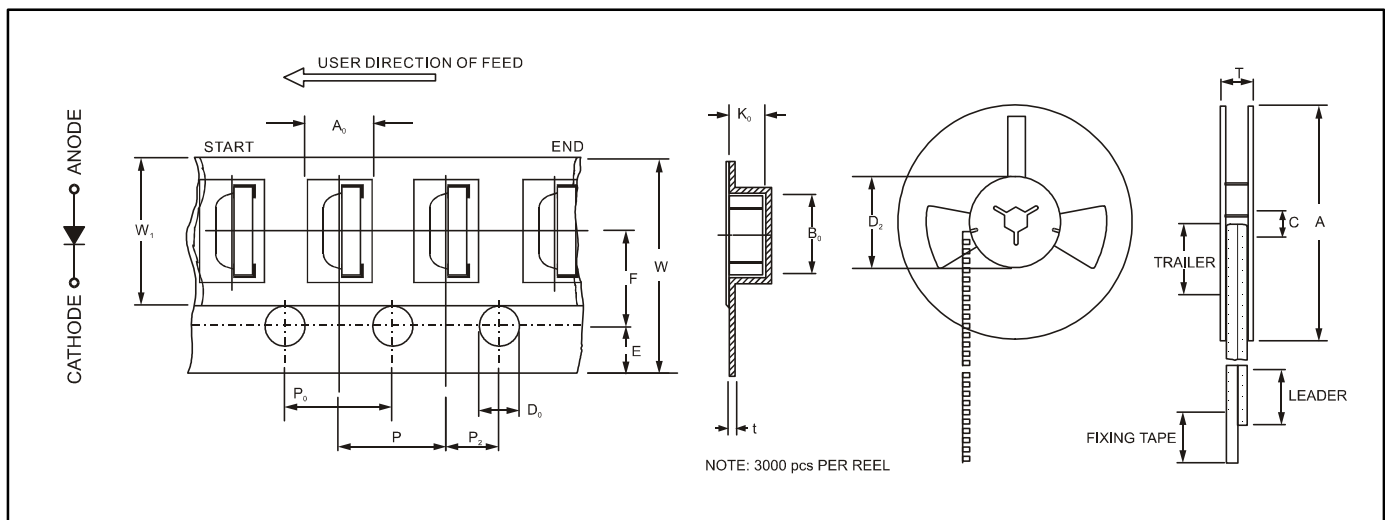




TAPE AND REEL SURFACE MOUNT CHIP LED LAMPS

- **DEVICE NUMBER: BL-Hxxx4E-TRB**
- **FEATURES:**
 - Compatible with automatic placement equipment
 - Surface Mount assembly lamp
 - High efficiency low power consumption
 - Long life solid state reliability
- **TAPING AND PACKAGING SPECIFICATION**

| ITEM | SYMBOL | SPECIFICATION | | | |
|--|--------|---------------|-------|---------|-------|
| | | Minimum | | Maximum | |
| | | mm | inch | mm | inch |
| Tape Feed Hole Diameter (DIA) | D_0 | 1.40 | 0.055 | 1.60 | 0.063 |
| Feed Hole Location | E | 1.65 | 0.064 | 1.85 | 0.073 |
| Centers Line Dimensions Length Direction | F | 3.45 | 0.135 | 3.55 | 0.139 |
| Compartment Depth | K_0 | 1.17 | 0.046 | 1.37 | 0.054 |
| Compartment Pitch | P | 3.90 | 0.153 | 4.10 | 0.161 |
| Sprocket Hole Diameter | P_0 | 3.90 | 0.153 | 4.10 | 0.161 |
| Centers Line Dimensions Length Direction | P_2 | 1.95 | 0.076 | 2.05 | 0.080 |
| Carrier Tape Thickness | t | | | 0.30 | 0.012 |
| Carrier Tape Width | W | 7.70 | 0.303 | 8.30 | 0.326 |
| Flange Diameter | A | 178.0 | 7.008 | 180.0 | 7.087 |
| Hub Spindle Hole | C | 12.50 | 0.492 | 13.50 | 0.531 |
| Hub Diameter | D_2 | 70.00 | 2.755 | 72.00 | 2.830 |
| Fixing Tape Width | W_1 | 5.25 | 0.206 | 5.35 | 0.210 |
| Flange Space Between Flanges | T | 12.50 | 0.492 | 13.50 | 0.531 |
| Compartment Length | A_0 | 1.00 | 0.039 | 1.20 | 0.047 |
| Compartment Width | B_0 | 2.15 | 0.085 | 2.35 | 0.093 |

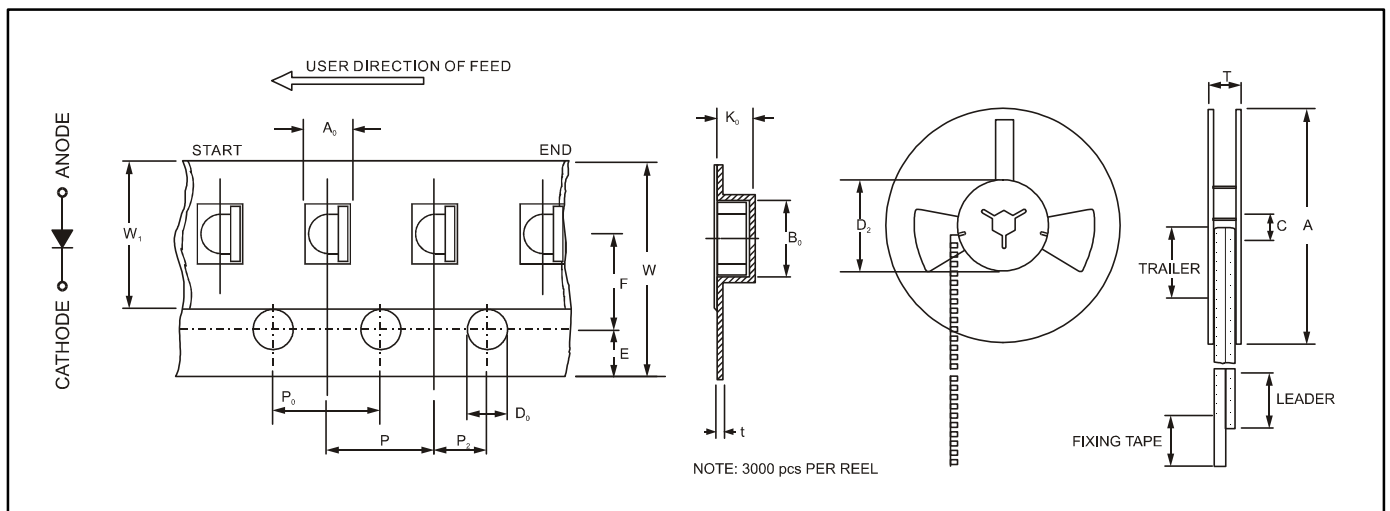




TAPE AND REEL SURFACE MOUNT CHIP LED LAMPS

- **DEVICE NUMBER: BL-Hxxx4A-TRB**
- **FEATURES:**
 - Compatible with automatic placement equipment
 - Surface Mount assembly lamp
 - High efficiency low power consumption
 - Long life solid state reliability
- **TAPING AND PACKAGING SPECIFICATION**

| ITEM | SYMBOL | SPECIFICATION | | | |
|--|--------|---------------|-------|---------|-------|
| | | Minimum | | Maximum | |
| | | mm | inch | mm | inch |
| Tape Feed Hole Diameter (DIA) | D_0 | 1.40 | 0.055 | 1.60 | 0.063 |
| Feed Hole Location | E | 1.63 | 0.064 | 1.85 | 0.073 |
| Centers Line Dimensions Length Direction | F | 3.45 | 0.135 | 3.55 | 0.139 |
| Compartment Depth | K_0 | 1.20 | 0.045 | 1.40 | 0.055 |
| Compartment Pitch | P | 3.90 | 0.153 | 4.10 | 0.161 |
| Sprocket Hole Diameter | P_0 | 3.90 | 0.153 | 4.10 | 0.161 |
| Centers Line Dimensions Length Direction | P_2 | 1.95 | 0.076 | 2.05 | 0.080 |
| Carrier Tape Thickness | t | | | 0.30 | 0.012 |
| Carrier Tape Width | W | 7.70 | 0.303 | 8.30 | 0.326 |
| Flange Diameter | A | 178.0 | 7.008 | 180.0 | 7.087 |
| Hub Spindle Hole | C | 12.50 | 0.492 | 13.50 | 0.531 |
| Hub Diameter | D_2 | 70.00 | 2.755 | 72.00 | 2.830 |
| Fixing Tape Width | W_1 | 5.25 | 0.206 | 5.35 | 0.210 |
| Flange Space Between Flanges | T | 16.00 | 0.629 | 18.40 | 0.724 |
| Compartment Length | A_0 | 2.20 | 0.087 | 2.40 | 0.094 |
| Compartment Width | B_0 | 3.20 | 0.126 | 3.40 | 0.134 |

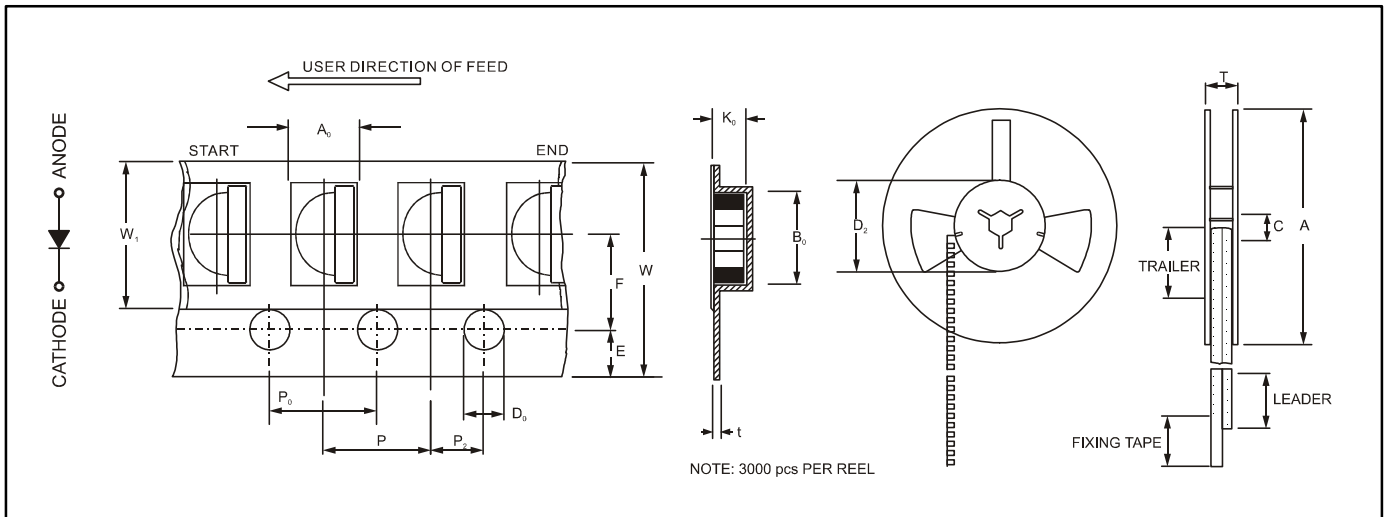




TAPE AND REEL SURFACE MOUNT CHIP LED LAMPS

- **DEVICE NUMBER: BL-Hxxx4C-TRB**
- **FEATURES:**
 - Compatible with automatic placement equipment
 - Surface Mount assembly lamp
 - High efficiency low power consumption
 - Long life solid state reliability
- **TAPING AND PACKAGING SPECIFICATION**

| ITEM | SYMBOL | SPECIFICATION | | | |
|--|--------|---------------|-------|---------|-------|
| | | Minimum | | Maximum | |
| | | mm | inch | mm | inch |
| Tape Feed Hole Diameter (DIA) | D_0 | 1.40 | 0.055 | 1.60 | 0.063 |
| Feed Hole Location | E | 1.65 | 0.064 | 1.85 | 0.073 |
| Centers Line Dimensions Length Direction | F | 3.45 | 0.135 | 3.55 | 0.139 |
| Compartment Depth | K_0 | 1.12 | 0.044 | 1.32 | 0.052 |
| Compartment Pitch | P | 3.90 | 0.153 | 4.10 | 0.161 |
| Sprocket Hole Diameter | P_0 | 3.90 | 0.153 | 4.10 | 0.161 |
| Centers Line Dimensions Length Direction | P_2 | 1.95 | 0.076 | 2.05 | 0.080 |
| Carrier Tape Thickness | t | | | 0.30 | 0.012 |
| Carrier Tape Width | W | 7.70 | 0.303 | 8.30 | 0.326 |
| Flange Diameter | A | 178.0 | 7.008 | 180.0 | 7.087 |
| Hub Spindle Hole | C | 12.50 | 0.492 | 13.50 | 0.531 |
| Hub Diameter | D_2 | 70.00 | 2.755 | 72.00 | 2.830 |
| Fixing Tape Width | W_1 | 5.25 | 0.206 | 5.35 | 0.210 |
| Flange Space Between Flanges | T | 12.50 | 0.492 | 13.50 | 0.531 |
| Compartment Length | A_0 | 1.78 | 0.070 | 1.98 | 0.078 |
| Compartment Width | B_0 | 3.33 | 0.131 | 3.53 | 0.139 |

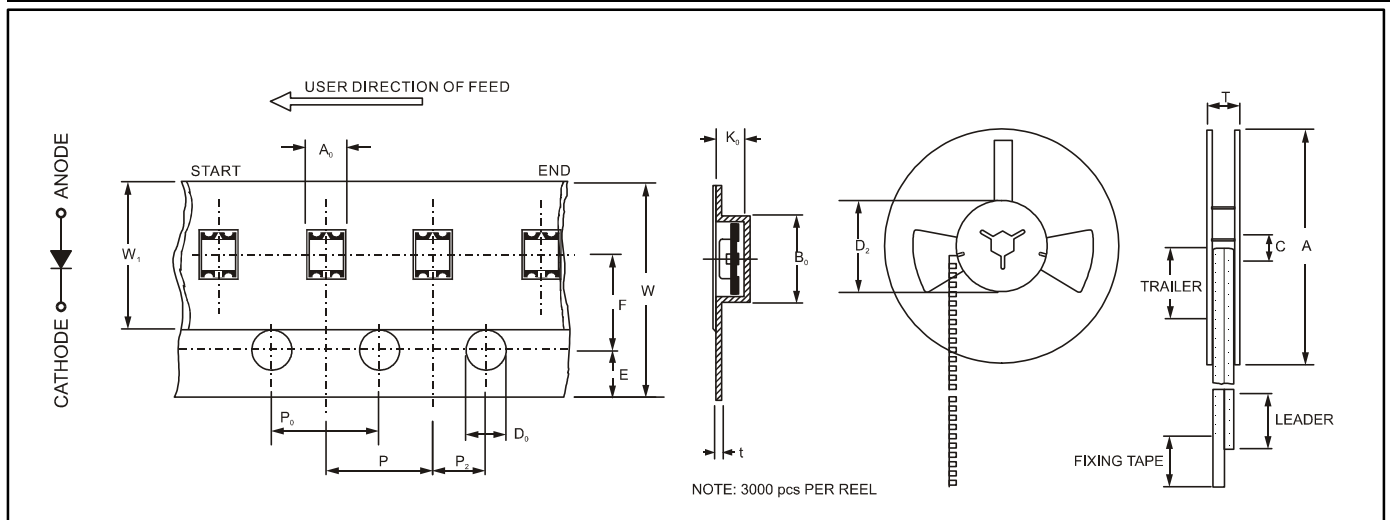




TAPE AND REEL SURFACE MOUNT CHIP LED LAMPS

- **DEVICE NUMBER: BL-Hxxxxx6H-TRB**
- **FEATURES:**
 - Compatible with automatic placement equipment
 - Surface Mount assembly lamp
 - High efficiency low power consumption
 - Long life solid state reliability
- **TAPING AND PACKAGING SPECIFICATION**

| ITEM | SYMBOL | SPECIFICATION | | | |
|--|--------|---------------|-------|---------|-------|
| | | Minimum | | Maximum | |
| | | mm | inch | mm | inch |
| Tape Feed Hole Diameter (DIA) | D_0 | 1.40 | 0.055 | 1.60 | 0.063 |
| Feed Hole Location | E | 1.65 | 0.064 | 1.85 | 0.073 |
| Centers Line Dimensions Length Direction | F | 3.45 | 0.135 | 3.55 | 0.139 |
| Compartment Depth | K_0 | 0.45 | 0.018 | 0.55 | 0.054 |
| Compartment Pitch | P | 3.90 | 0.153 | 4.10 | 0.161 |
| Sprocket Hole Diameter | P_0 | 3.90 | 0.153 | 4.10 | 0.161 |
| Centers Line Dimensions Length Direction | P_2 | 1.95 | 0.076 | 2.05 | 0.080 |
| Carrier Tape Thickness | t | | | 0.30 | 0.012 |
| Carrier Tape Width | W | 7.70 | 0.303 | 8.30 | 0.326 |
| Flange Diameter | A | 178.0 | 7.008 | 180.0 | 7.087 |
| Hub Spindle Hole | C | 12.50 | 0.492 | 13.50 | 0.531 |
| Hub Diameter | D_2 | 70.00 | 2.755 | 72.00 | 2.830 |
| Fixing Tape Width | W_1 | 5.25 | 0.206 | 5.35 | 0.210 |
| Flange Space Between Flanges | T | 12.50 | 0.492 | 13.50 | 0.531 |
| Compartment Length | A_0 | 1.35 | 0.053 | 1.45 | 0.115 |
| Compartment Width | B_0 | 1.70 | 0.067 | 1.80 | 0.136 |





TAPE AND REEL SURFACE MOUNT CHIP LED LAMPS

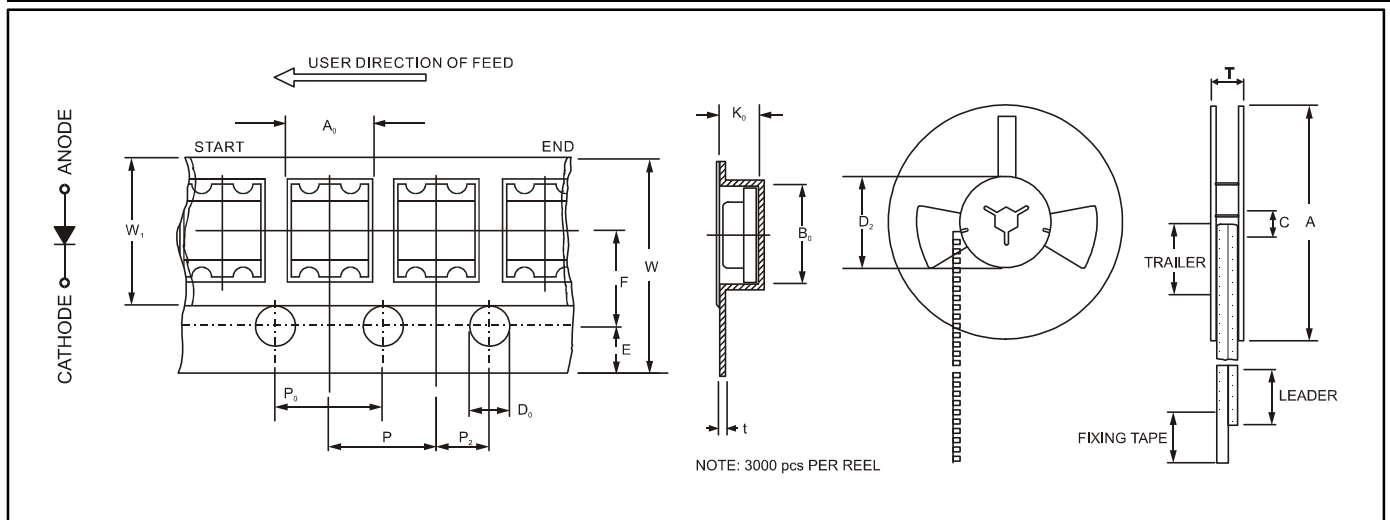
● **DEVICE NUMBER:** BL-Hxxxxx3B-TRB , BL-Hxxxxxxx3F-TRB , BL-Hxxxxxxx3T-TRB

● **FEATURES:**

- Compatible with automatic placement equipment
- Surface Mount assembly lamp
- High efficiency low power consumption
- Long life solid state reliability

● **TAPING AND PACKAGING SPECIFICATION**

| ITEM | SYMBOL | SPECIFICATION | | | |
|--|--------|---------------|-------|---------|-------|
| | | Minimum | | Maximum | |
| | | mm | inch | mm | inch |
| Tape Feed Hole Diameter (DIA) | D_0 | 1.40 | 0.055 | 1.60 | 0.063 |
| Feed Hole Location | E | 1.65 | 0.064 | 1.85 | 0.073 |
| Centers Line Dimensions Length Direction | F | 3.45 | 0.135 | 3.55 | 0.139 |
| Compartment Depth | K_0 | 1.17 | 0.046 | 1.37 | 0.054 |
| Compartment Pitch | P | 3.90 | 0.153 | 4.10 | 0.161 |
| Sprocket Hole Diameter | P_0 | 3.90 | 0.153 | 4.10 | 0.161 |
| Centers Line Dimensions Length Direction | P_2 | 1.95 | 0.076 | 2.05 | 0.080 |
| Carrier Tape Thickness | t | | | 0.30 | 0.012 |
| Carrier Tape Width | W | 7.70 | 0.303 | 8.30 | 0.326 |
| Flange Diameter | A | 178.0 | 7.008 | 180.0 | 7.087 |
| Hub Spindle Hole | C | 12.50 | 0.492 | 13.50 | 0.531 |
| Hub Diameter | D_2 | 70.00 | 2.755 | 72.00 | 2.830 |
| Fixing Tape Width | W_1 | 5.25 | 0.206 | 5.35 | 0.210 |
| Flange Space Between Flanges | T | 12.50 | 0.492 | 13.50 | 0.531 |
| Compartment Length | A_0 | 2.72 | 0.107 | 2.92 | 0.115 |
| Compartment Width | B_0 | 3.25 | 0.128 | 3.45 | 0.136 |

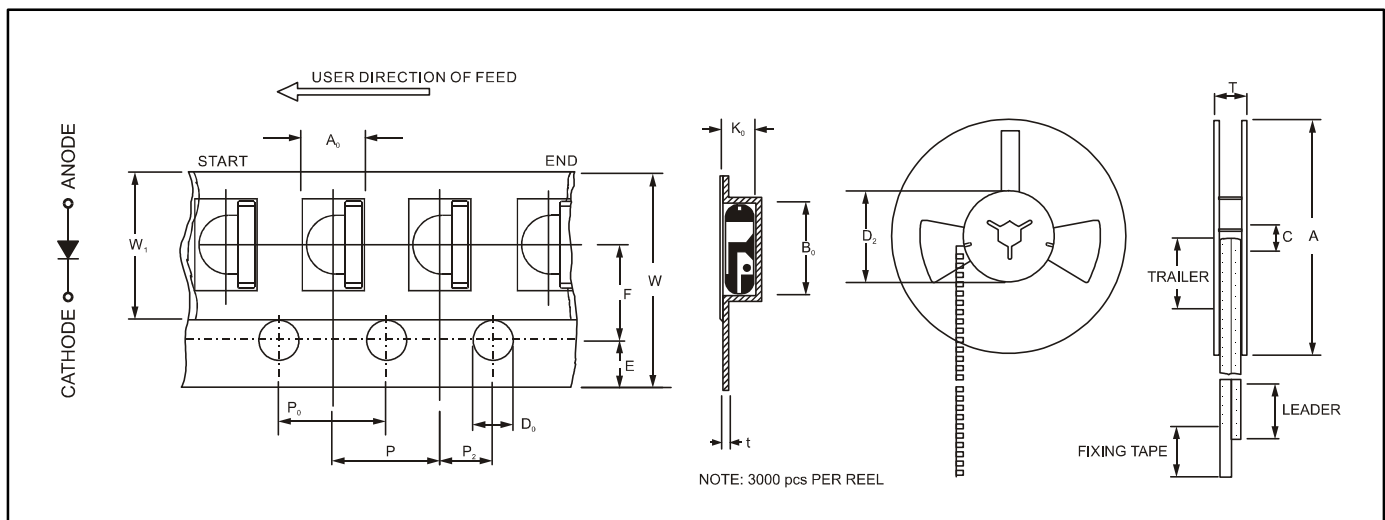




TAPE AND REEL SURFACE MOUNT CHIP LED LAMPS

- **DEVICE NUMBER: BL-Hxxxxx4B-TRB**
- **FEATURES:**
 - Compatible with automatic placement equipment
 - Surface Mount assembly lamp
 - High efficiency low power consumption
 - Long life solid state reliability
- **TAPING AND PACKAGING SPECIFICATION**

| ITEM | SYMBOL | SPECIFICATION | | | |
|--|--------|---------------|-------|---------|-------|
| | | Minimum | | Maximum | |
| | | mm | inch | mm | inch |
| Tape Feed Hole Diameter (DIA) | D_0 | 1.40 | 0.055 | 1.60 | 0.063 |
| Feed Hole Location | E | 1.65 | 0.064 | 1.85 | 0.073 |
| Centers Line Dimensions Length Direction | F | 3.45 | 0.135 | 3.55 | 0.139 |
| Compartment Depth | K_0 | 1.20 | 0.047 | 1.40 | 0.055 |
| Compartment Pitch | P | 3.90 | 0.153 | 4.10 | 0.161 |
| Sprocket Hole Diameter | P_0 | 3.90 | 0.153 | 4.10 | 0.161 |
| Centers Line Dimensions Length Direction | P_2 | 1.95 | 0.076 | 2.05 | 0.080 |
| Carrier Tape Thickness | t | | | 0.30 | 0.012 |
| Carrier Tape Width | W | 7.70 | 0.303 | 8.30 | 0.326 |
| Flange Diameter | A | 178.0 | 7.008 | 180.0 | 7.087 |
| Hub Spindle Hole | C | 12.50 | 0.492 | 13.50 | 0.531 |
| Hub Diameter | D_2 | 70.00 | 2.755 | 72.00 | 2.830 |
| Fixing Tape Width | W_1 | 5.25 | 0.206 | 5.35 | 0.210 |
| Flange Space Between Flanges | T | 16.00 | 0.629 | 18.40 | 0.724 |
| Compartment Length | A_0 | 2.20 | 0.087 | 2.40 | 0.094 |
| Compartment Width | B_0 | 3.20 | 0.126 | 3.40 | 0.134 |

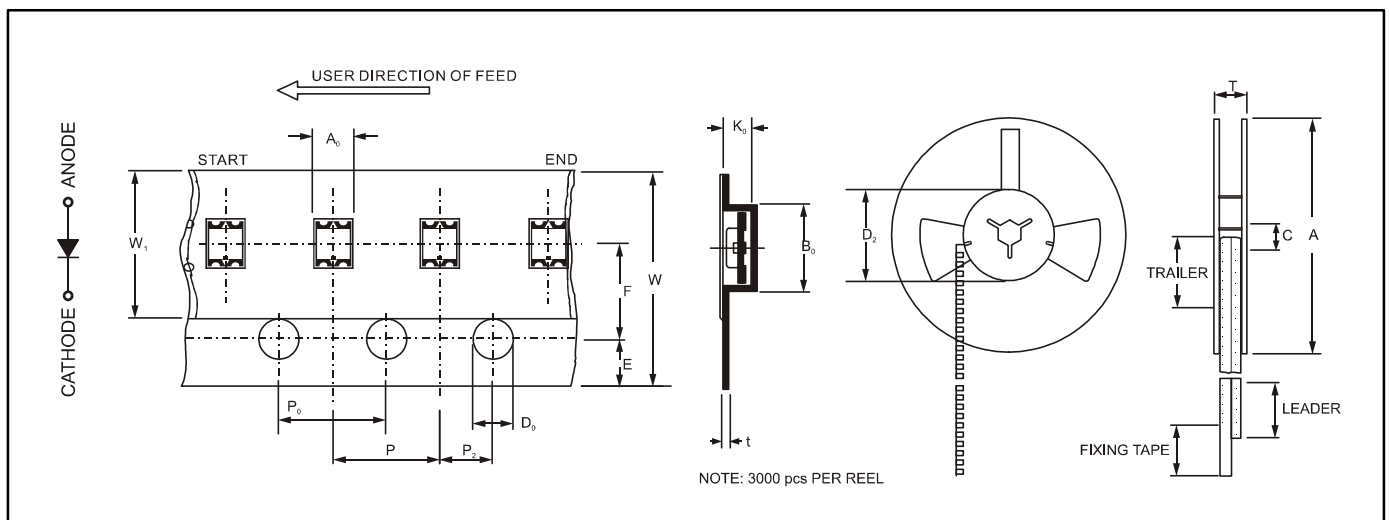




TAPE AND REEL SURFACE MOUNT CHIP LED LAMPS

- **DEVICE NUMBER: BL-Hxxxxxxx6T-TRB**
- **FEATURES:**
 - Compatible with automatic placement equipment
 - Surface Mount assembly lamp
 - High efficiency low power consumption
 - Long life solid state reliability
- **TAPING AND PACKAGING SPECIFICATION**

| ITEM | SYMBOL | SPECIFICATION | | | |
|--|--------|---------------|-------|---------|-------|
| | | Minimum | | Maximum | |
| | | mm | inch | mm | inch |
| Tape Feed Hole Diameter (DIA) | D_0 | 1.40 | 0.055 | 1.60 | 0.063 |
| Feed Hole Location | E | 1.65 | 0.064 | 1.85 | 0.073 |
| Centers Line Dimensions Length Direction | F | 3.45 | 0.135 | 3.55 | 0.139 |
| Compartment Depth | K_0 | 0.60 | 0.022 | 0.80 | 0.031 |
| Compartment Pitch | P | 3.90 | 0.153 | 4.10 | 0.161 |
| Sprocket Hole Diameter | P_0 | 3.90 | 0.153 | 4.10 | 0.161 |
| Centers Line Dimensions Length Direction | P_2 | 1.95 | 0.076 | 2.05 | 0.080 |
| Carrier Tape Thickness | t | | | 0.30 | 0.012 |
| Carrier Tape Width | W | 7.70 | 0.303 | 8.30 | 0.326 |
| Flange Diameter | A | 178.0 | 7.008 | 180.0 | 7.087 |
| Hub Spindle Hole | C | 12.50 | 0.492 | 13.50 | 0.531 |
| Hub Diameter | D_2 | 70.00 | 2.755 | 72.00 | 2.830 |
| Fixing Tape Width | W_1 | 5.25 | 0.206 | 5.35 | 0.210 |
| Flange Space Between Flanges | T | 12.50 | 0.492 | 13.50 | 0.531 |
| Compartment Length | A_0 | 1.63 | 0.064 | 1.83 | 0.072 |
| Compartment Width | B_0 | 1.65 | 0.065 | 1.85 | 0.073 |

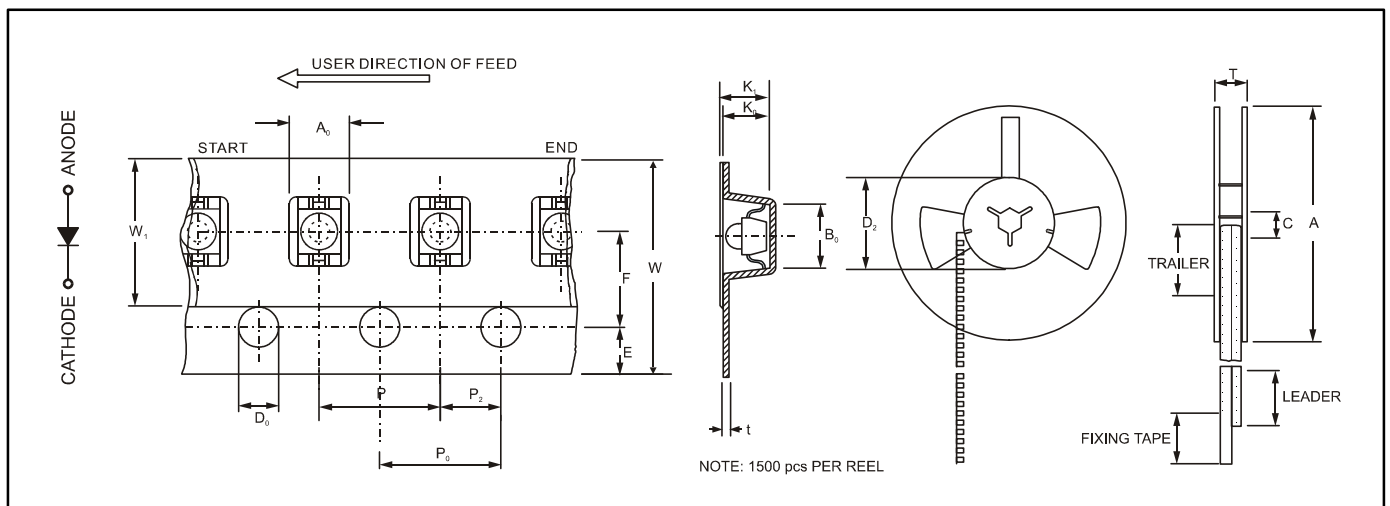




APE AND REEL AXIAL LED LAMPS WITH “GULL WING” LEAD

- **DEVICE NUMBER: BL-Xxx61-TR7**
- **FEATURES:**
 - Compatible with automatic placement equipment
 - Surface Mount assembly lamp
 - High efficiency low power consumption
 - Long life solid state reliability
- **TAPING AND PACKAGING SPECIFICATION**

| ITEM | SYMBOL | SPECIFICATION | | | |
|--|--------|---------------|-------|---------|-------|
| | | Minimum | | Maximum | |
| | | mm | inch | mm | inch |
| Tape Feed Hole Diameter (DIA) | D_0 | 1.40 | 0.055 | 1.55 | 0.061 |
| Feed Hole Location | E | 1.65 | 0.065 | 1.85 | 0.072 |
| Centers Line Dimensions Length Direction | F | 5.45 | 0.215 | 5.55 | 0.218 |
| Compartment Depth | K_0 | 3.10 | 0.122 | 3.30 | 0.130 |
| Carrier Tape Overall Thickness | K | | | 2.40 | 0.094 |
| Compartment Pitch | P | 3.90 | 0.153 | 4.10 | 0.161 |
| Sprocket Hole Diameter | P_0 | 3.90 | 0.153 | 4.10 | 0.161 |
| Centers Line Dimensions Length Direction | P_2 | 1.95 | 0.076 | 2.05 | 0.080 |
| Carrier Tape Thickness | t | | | 0.30 | 0.012 |
| Carrier Tape Width | W | 12.00 | 0.472 | 12.30 | 0.484 |
| Flange Diameter | A | 178.0 | 7.008 | 180.0 | 7.087 |
| Hub Spindle Hole | C | 12.50 | 0.492 | 13.50 | 0.531 |
| Hub Diameter | D_2 | 20.00 | 0.788 | 21.50 | 0.846 |
| Fixing Tape Width | W_1 | 9.00 | 0.354 | 9.30 | 0.366 |
| Flange Space Between Flanges | T | 16.00 | 0.629 | 18.40 | 0.724 |
| Compartment Length | A_0 | 2.20 | 0.087 | 2.40 | 0.094 |
| Compartment Width | B_0 | 3.90 | 0.154 | 4.10 | 0.161 |

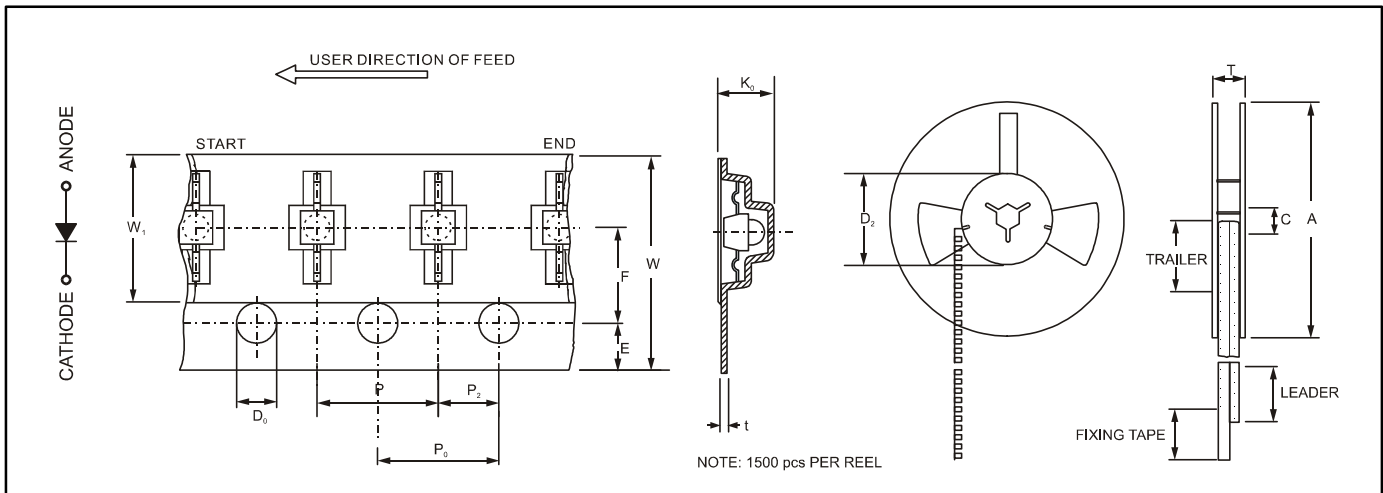




TAPE AND REEL AXIAL LED LAMPS WITH “YOKE” LEAD

- **DEVICE NUMBER: BL-Xxx61-TR8**
- **FEATURES:**
 - Compatible with automatic placement equipment
 - Surface Mount assembly lamp
 - High efficiency low power consumption
 - Long life solid state reliability
- **TAPING AND PACKAGING SPECIFICATION**

| ITEM | SYMBOL | SPECIFICATION | | | |
|--|--------|---------------|-------|---------|-------|
| | | Minimum | | Maximum | |
| | | mm | inch | mm | inch |
| Tape Feed Hole Diameter (DIA) | D_0 | 1.40 | 0.055 | 1.55 | 0.061 |
| Feed Hole Location | E | 1.65 | 0.065 | 1.85 | 0.072 |
| Centers Line Dimensions Length Direction | F | 5.45 | 0.215 | 5.55 | 0.218 |
| Compartment Depth | K_0 | 3.02 | 0.119 | 3.22 | 0.127 |
| Compartment Pitch | P | 3.90 | 0.153 | 4.10 | 0.161 |
| Sprocket Hole Diameter | P_0 | 3.90 | 0.153 | 4.10 | 0.161 |
| Centers Line Dimensions Length Direction | P_2 | 1.95 | 0.076 | 2.05 | 0.080 |
| Carrier Tape Thickness | t | | | 0.30 | 0.012 |
| Carrier Tape Width | W | 12.00 | 0.472 | 12.30 | 0.484 |
| Flange Diameter | A | 178.0 | 7.008 | 180.0 | 7.087 |
| Hub Spindle Hole | C | 12.50 | 0.492 | 13.50 | 0.531 |
| Hub Diameter | D_2 | 20.00 | 0.788 | 21.50 | 0.846 |
| Fixing Tape Width | W_1 | 9.00 | 0.354 | 9.30 | 0.366 |
| Flange Space Between Flanges | T | 16.00 | 0.629 | 18.40 | 0.724 |
| Compartment Length | A_0 | 2.29 | 0.090 | 2.49 | 0.098 |
| Compartment Width | B_0 | 7.62 | 0.300 | 7.82 | 0.308 |





TAPE AND REEL AXIAL LED LAMPS WITH "Z" BENT LEAD

- **DEVICE NUMBER: BL-Xxx61-TR9**
- **FEATURES:**
 - Compatible with automatic placement equipment
 - Surface Mount assembly lamp
 - High efficiency low power consumption
 - Long life solid state reliability
- **TAPING AND PACKAGING SPECIFICATION**

| ITEM | SYMBOL | SPECIFICATION | | | |
|--|--------|---------------|-------|---------|-------|
| | | Minimum | | Maximum | |
| | | mm | inch | mm | inch |
| Tape Feed Hole Diameter (DIA) | D_0 | 1.40 | 0.055 | 1.55 | 0.061 |
| Feed Hole Location | E | 1.65 | 0.065 | 1.85 | 0.072 |
| Centers Line Dimensions Length Direction | F | 5.45 | 0.215 | 5.55 | 0.218 |
| Compartment Depth | K_0 | 3.00 | 0.118 | 3.20 | 0.126 |
| Compartment Pitch | P | 3.90 | 0.153 | 4.10 | 0.161 |
| Sprocket Hole Diameter | P_0 | 3.90 | 0.153 | 4.10 | 0.161 |
| Centers Line Dimensions Length Direction | P_2 | 1.95 | 0.076 | 2.05 | 0.080 |
| Carrier Tape Thickness | t | | | 0.30 | 0.012 |
| Carrier Tape Width | W | 12.00 | 0.472 | 12.30 | 0.484 |
| Flange Diameter | A | 178.0 | 7.008 | 180.0 | 7.087 |
| Hub Spindle Hole | C | 12.50 | 0.492 | 13.50 | 0.531 |
| Hub Diameter | D_2 | 20.00 | 0.788 | 21.50 | 0.846 |
| Fixing Tape Width | W_1 | 9.00 | 0.354 | 9.30 | 0.366 |
| Flange Space Between Flanges | T | 16.00 | 0.629 | 18.40 | 0.724 |
| Compartment Length | A_0 | 1.87 | 0.074 | 2.07 | 0.081 |
| Compartment Width | B_0 | 6.30 | 0.248 | 6.50 | 0.256 |

