

# 4mm SQUARE THIN TYPE ISOLATOR

## MODEL ESI-4AF [ ] 1.441 G 01 - T

(1) (2) (3) (4) (5) (6)

(1) Series ESI-4AF ; 1.6 +/-0.1mm Height

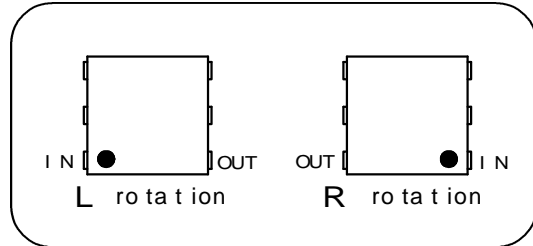
(2) Rotating Direction (R or L)

(3) Center Frequency

(4) G ; GHz

(5) Control No.

(6) T ; Taping  
Blank ; Bulk



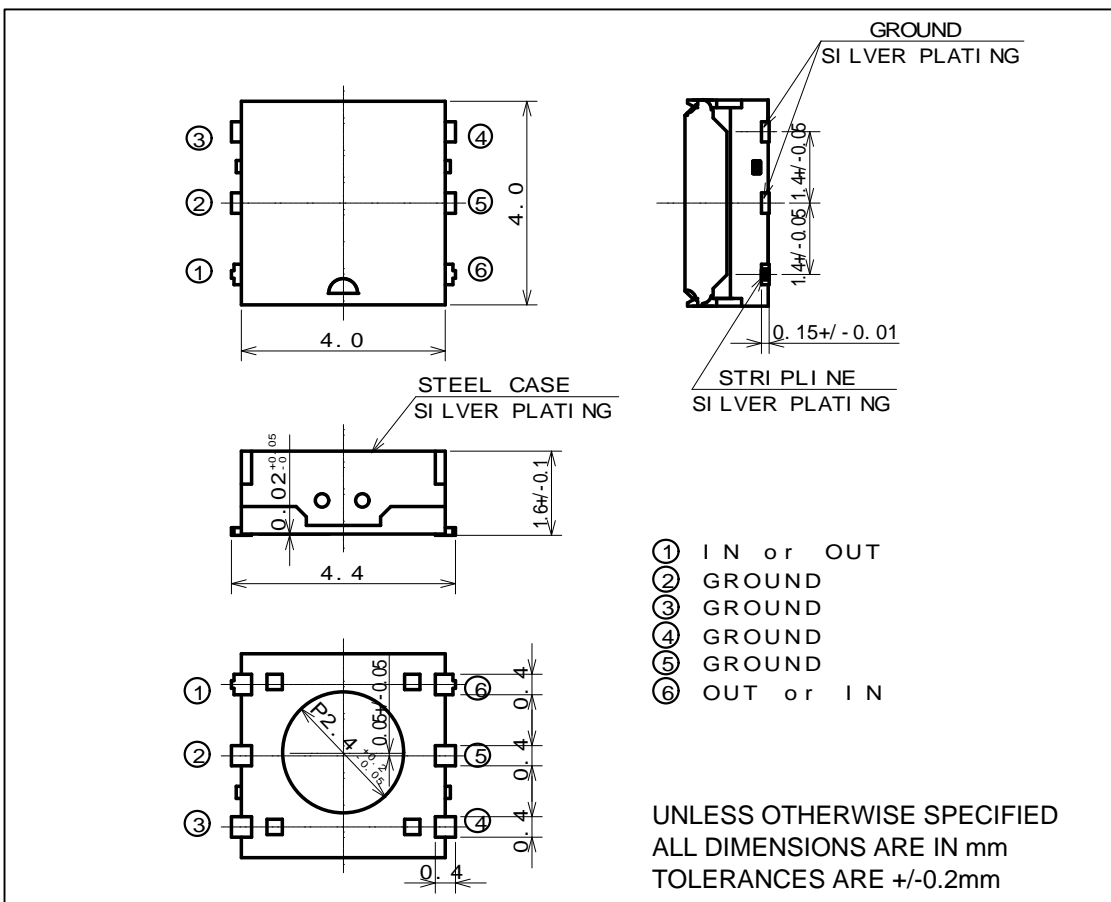
### Specification

Frequency (GHz)	Ins. Loss Max. (dB)	Isolation Min. (dB)	V.S.W.R. Max.	Attenuation		Handling Power Max. (W)	Reflection Power Max. (W)
				at 2f Min. (dB)	at 3f Min. (dB)		
1.429-1.453	0.50	15	1.5	17	20	5.0	1.0

Operating Temperature(deg.C) ; -35 to +85

Impedance ; 50 ohms Typ.

### Shape & Size



TAE760

Note) This is tentative specifications under development.

There is some possibility which the specifications might be modified including mechanical dimensions.



Hitachi Metals, Ltd. Tottori Works