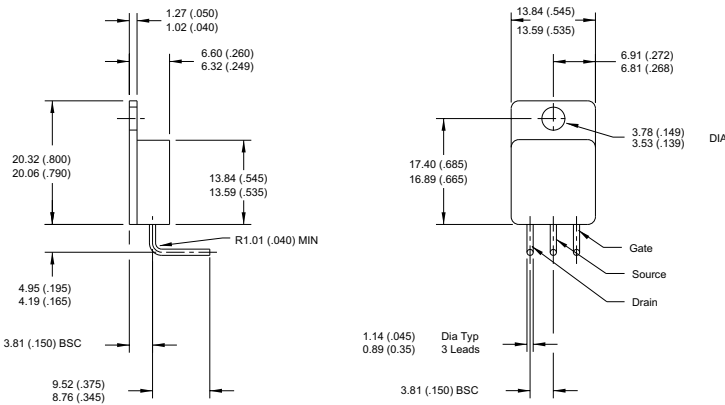


MECHANICAL DATA

Dimensions in mm (inches)



**N-CHANNEL
POWER MOSFET**

V_{DSS} 200V

$I_{D(cont)}$ 27.4A

$R_{DS(on)}$ 0.100Ω

FEATURES

- N-CHANNEL MOSFET
- HIGH VOLTAGE
- INTEGRAL PROTECTION DIODE
- HERMETIC ISOLATED TO-254 PAC
- CERAMIC SURFACE MOUNT PACK OPTION

TO-254 Metal Package

Pin 1 – Drain Pin 2 – Source Pin 3 – Gate

ABSOLUTE MAXIMUM RATINGS ($T_C = 25^\circ\text{C}$ unless otherwise stated)

V_{GS}	Gate – Source Voltage		±20V
I_D	Continuous Drain Current	@ $V_{GS} = 10V$, $T_C = 25^\circ\text{C}$	27.4A
		@ $V_{GS} = 10V$, $T_C = 100^\circ\text{C}$	17A
I_{DM}	Pulsed Drain Current		110A
P_D	Max. Power Dissipation	@ $T_C = 25^\circ\text{C}$	150W
	Linear Derating Factor		1.2W / °C
I_L	Avalanche Current, Clamped ¹		27.4A
dv / dt	Peak Diode Recovery ²		5.5V / ns
$R_{\theta JC}$	Thermal Resistance Junction – Case		0.83°C / W
$R_{\theta JA}$	Thermal Resistance Junction – Ambient		48°C / W
$R_{\theta CS}$	Thermal Resistance Case – Sink		0.21°C / W typ.
T_J, T_{STG}	Operating Junction and Storage Temperature Range		-55 to 150°C
T_L	Lead Temperature (1.6mm from case for 10s)		300°C

ELECTRICAL CHARACTERISTICS ($T_J = 25^\circ\text{C}$ unless otherwise stated)

Parameter	Test Conditions	Min.	Typ.	Max.	
STATIC ELECTRICAL RATINGS					
BV_{DSS}	Drain – Source Breakdown Voltage	$V_{GS} = 0$	$I_D = 1\text{mA}$	200	
$\frac{\Delta BV_{DSS}}{\Delta T_J}$	Temperature Coefficient of Breakdown Voltage	Reference to 25°C $I_D = 1\text{mA}$			0.28
$R_{DS(on)}$	Static Drain – Source On–State Resistance ²	$V_{GS} = 10\text{V}$	$I_D = 17\text{A}$		0.100
		$V_{GS} = 10\text{V}$	$I_D = 27.4\text{A}$		0.105
$V_{GS(th)}$	Gate Threshold Voltage	$V_{DS} = V_{GS}$	$I_D = 250\mu\text{A}$	2	4
g_{fs}	Forward Transconductance ²	$V_{DS} \geq 15\text{V}$	$I_{DS} = 27.4\text{A}$	9	
I_{DSS}	Zero Gate Voltage Drain Current	$V_{GS} = 0$	$V_{DS} = 0.8BV_{DSS}$		25
			$T_J = 125^\circ\text{C}$		250
I_{GSS}	Forward Gate – Source Leakage	$V_{GS} = 20\text{V}$			100
I_{GSS}	Reverse Gate – Source Leakage	$V_{GS} = -20\text{V}$			-100
DYNAMIC CHARACTERISTICS					
C_{iss}	Input Capacitance	$V_{GS} = 0$ $V_{DS} = 25\text{V}$ $f = 1\text{MHz}$		3500	
C_{oss}	Output Capacitance			700	
C_{rss}	Reverse Transfer Capacitance			110	
C_{DC}	Drain – Case Capacitance			12	
Q_g	Total Gate Charge	$V_{GS} = 10\text{V}$		55	115
Q_{gs}	Gate – Source Charge	$I_D = 27.4\text{A}$		8	22
Q_{gd}	Gate – Drain (“Miller”) Charge	$V_{DS} = 0.5BV_{DSS}$		30	60
$t_{d(on)}$	Turn– On Delay Time	$V_{DD} = 100\text{V}$ $I_D = 27.4\text{A}$ $R_G = 2.35\Omega$			35
t_r	Rise Time				190
$t_{d(off)}$	Turn–Off Delay Time				170
t_f	Fall Time				130
SOURCE – DRAIN DIODE CHARACTERISTICS					
I_S	Continuous Source Current				27.4
I_{SM}	Pulse Source Current ¹				110
V_{SD}	Diode Forward Voltage ²	$I_S = 27.4\text{A}$ $V_{GS} = 0$	$T_J = 25^\circ\text{C}$		1.9
t_{rr}	Reverse Recovery Time ²	$I_F = 27.4\text{A}$	$T_J = 25^\circ\text{C}$		950
Q_{rr}	Reverse Recovery Charge ²	$d_i / d_t \leq 100\text{A}/\mu\text{s}$ $V_{DD} \leq 50\text{V}$			9.0
t_{on}	Forward Turn–On Time			Negligible	
PACKAGE CHARACTERISTICS					
L_D	Internal Drain Inductance	Measured from 6mm down drain lead to centre of die			8.7
L_S	Internal Source Inductance	Measured from 6mm down source lead to source bond pad			8.7