

**Amplifier, Power, 1.3W
17.7-19.7 GHz**

MAAP-000072-PKG003

Rev —
Advance Information

Features

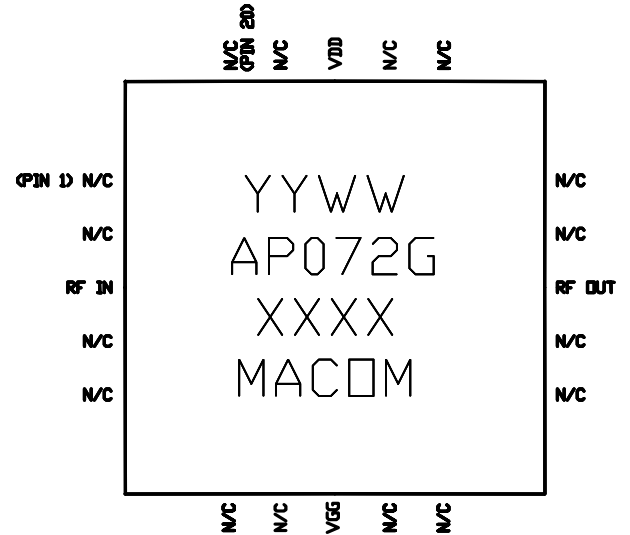
- ◆ **1.3 Watt Saturated Output Power Level**
- ◆ **Variable Drain Voltage (4-10V) Operation**
- ◆ **MSAG™ Process**

Description

The MAAP-000072-PKG0003 is a 4-stage 1.3 W power amplifier with on-chip bias networks in a 20 lead MLP package, allowing easy assembly. This product is fully matched to 50 ohms on both the input and output. It can be used as a power amplifier stage or as a driver stage in high power applications.

Each device is 100% RF tested to ensure performance compliance. The part is fabricated using M/A-COM's GaAs Multifunction Self-Aligned Gate (MSAG) Process.

M/A-COM's MSAG™ process features robust silicon-like manufacturing processes, planar processing of ion implanted transistors and multiple implant capability enabling power, low-noise, switch and digital FETs on a single chip. The use of refractory metals and the absence of platinum in the gate metal formulation prevents hydrogen poisoning when employed in hermetic packaging.



Primary Applications

- ◆ **Point-to-Point Radios**
- ◆ **18 GHz Band**

Also Available in:

Description	Die	Ceramic Package	Die Sample Board	Die Mechanical Sample	Packaged Sample Board
Part Number	MAAPGM0072-DIE	MAAPGM0072	MAAP-000072-SMB004	MAAP-000071-MCH000	MAAP-000072-SMB003 (Lead Free)

Electrical Characteristics: $T_B = 40^\circ C^1$, $Z_0 = 50 \Omega$, $V_{DD} = 8V$, $I_{DQ} = 500mA^2$, $P_{in} = 12 dBm$, $R_G = 200 \Omega$

Parameter	Symbol	Typical	Units
Bandwidth	f	17.7-19.7	GHz
Output Power	P_{OUT}	31	dBm
1-dB Compression Point	P_{1dB}	30	dBm
Small Signal Gain	G	19	dB
Input VSWR	VSWR	2.0:1	
Output VSWR	VSWR	1.6:1	
Gate Current	I_{GG}	10	mA
Drain Current	I_{DD}	750	mA

1. T_B = MMIC Base Temperature
2. Adjust V_{GG} between -2.6 and -1.2V to achieve specified I_{dq} .

M/A-COM Inc. and its affiliates reserve the right to make changes to the product(s) or information contained herein without notice. M/A-COM makes no warranty, representation or guarantee regarding the suitability of its products for any particular purpose, nor does M/A-COM assume any liability whatsoever arising out of the use or application of any product(s) or information.

- **North America** Tel: 800.366.2266 / Fax: 978.366.2266
- **Europe** Tel: 44.1908.574.200 / Fax: 44.1908.574.300
- **Asia/Pacific** Tel: 81.44.844.8296 / Fax: 81.44.844.8298

Visit www.macom.com for additional data sheets and product information.

**Amplifier, Power, 1.3W
17.7-19.7 GHz**

MAAP-000072-PKG003

Rev —
Advance Information

Maximum Operating Conditions ³

Parameter	Symbol	Absolute Maximum	Units
Input Power	P_{IN}	17.0	dBm
Drain Supply Voltage	V_{DD}	+12.0	V
Gate Supply Voltage	V_{GG}	-3.0	V
Quiescent Drain Current (No RF)	I_{DQ}	790	mA
Quiescent DC Power Dissipated (No RF)	P_{DISS}	7.9	W
Junction Temperature	T_J	170	°C
Storage Temperature	T_{STG}	-55 to +150	°C

3. Operation beyond these limits may result in permanent damage to the part.

Recommended Operating Conditions⁴

Characteristic	Symbol	Min	Typ	Max	Unit
Drain Voltage	V_{DD}	4.0	8.0	10.0	V
Gate Voltage	V_{GG}	-2.6	-2.0	-1.2	V
Input Power	P_{IN}		12.0	14.0	dBm
Junction Temperature	T_J			150	°C
Thermal Resistance	Θ_{JC}		16.4		°C/W
MMIC Base Temperature	T_B			Note 4	°C

4. MMIC Base Temperature = 170°C — $\Theta_{JC} * V_{DD} * I_{DQ}$

5. Operation outside of these ranges may reduce product reliability.

Operating Instructions

This device is static sensitive. Please handle with care. To operate the device, follow these steps.

1. Apply $V_{GG} = -2.7$ V, $V_{DD} = 0$ V.
2. Ramp V_{DD} to desired voltage, typically 8.0 V.
3. Adjust V_{GG} to set I_{DQ} , (approximately @ -2.0 V).
4. Set RF input.
5. Power down sequence in reverse. Turn V_{GG} off last.



**Amplifier, Power, 1.3W
17.7-19.7 GHz**

MAAP-000072-PKG003

Rev —
Advance Information

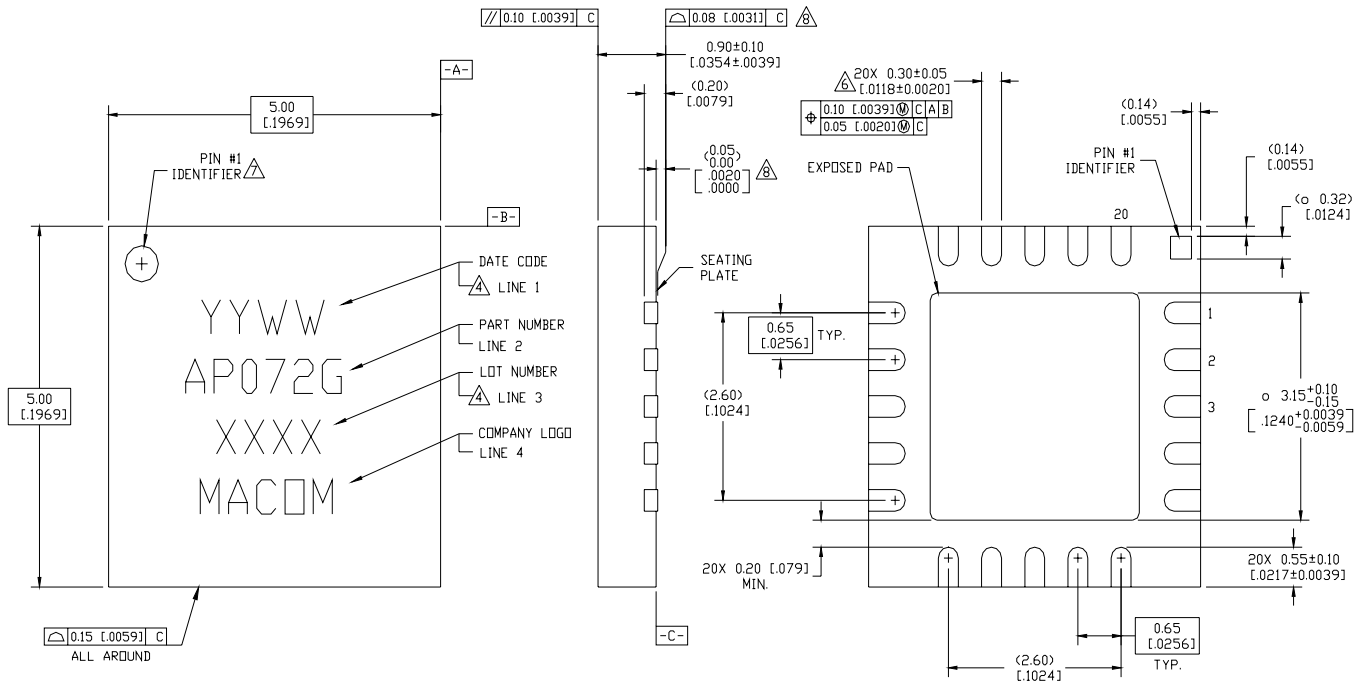


Figure 1. 5x5 mm 20-Lead MLP.

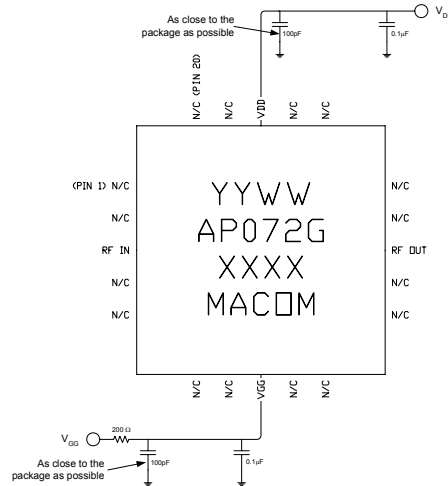


Figure 2. Recommended Bias Configuration.

Note: The exposed pad centered on the package bottom must be connected to RF and dc ground for proper electrical and thermal operation.

Refer to M/A-COM Application Note **Surface Mounting Instructions for PQFN Packages #S2083*** for assembly guidelines.

Additional Precaution: All parts must receive a bake-out of 125°C for 24 hours prior to any solder reflow operation.

*Application Notes can be found by going to the Site Search Page of M/A-COM's web page (<http://www.macom.com/Application%20Notes/index.htm>) and searching for the required Application Note.

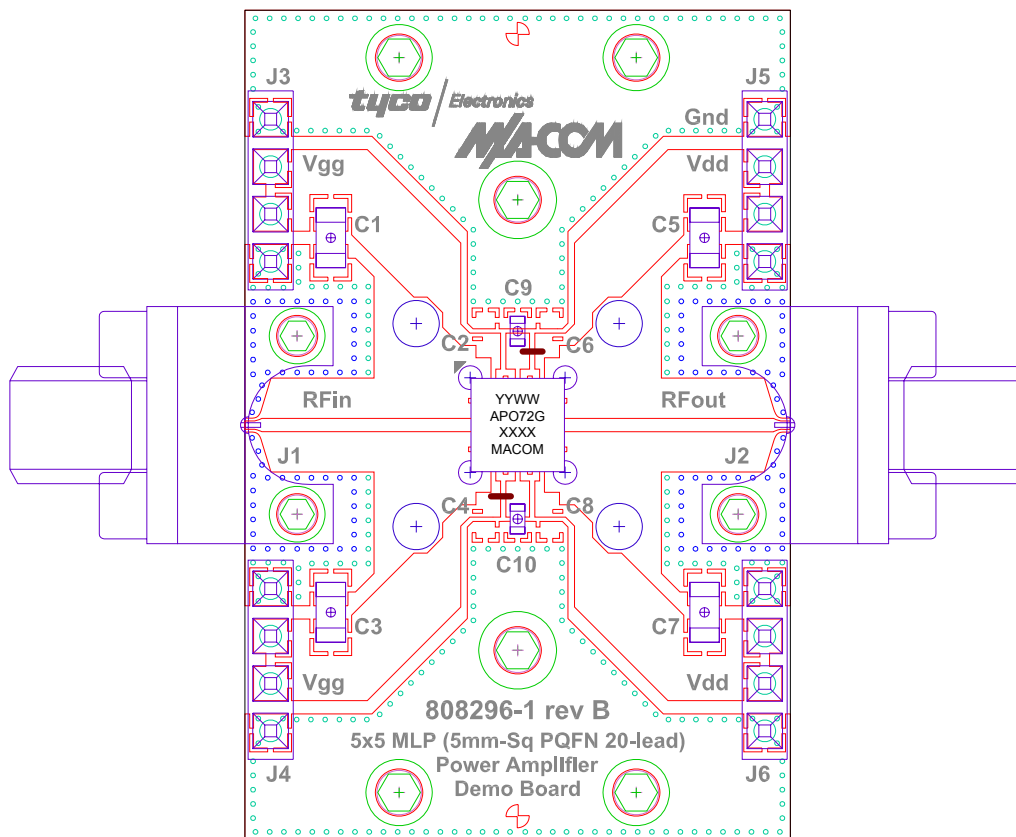


Figure 3. Demonstration Board PN MAAP-000072-SMB003 (available upon request).