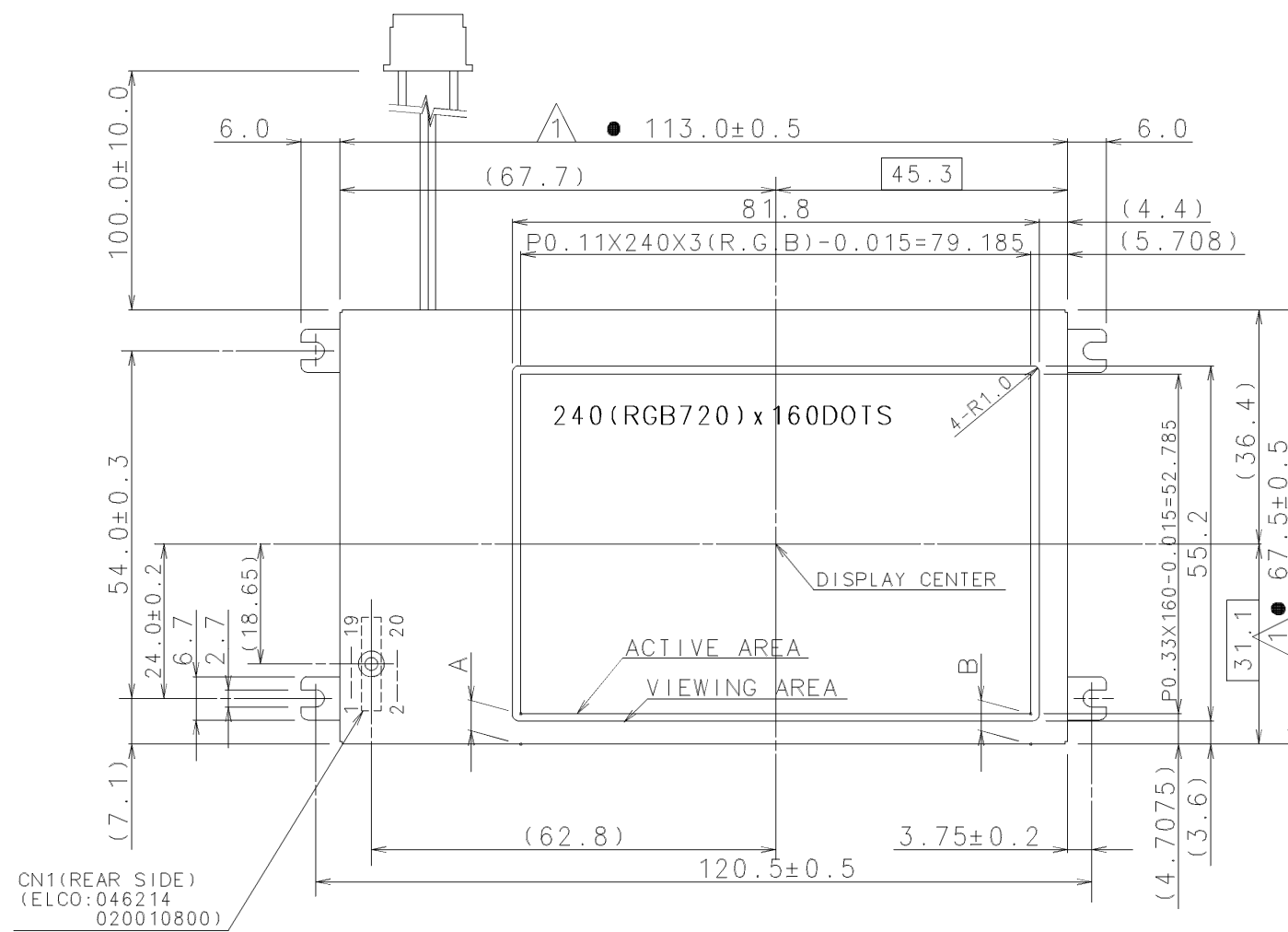
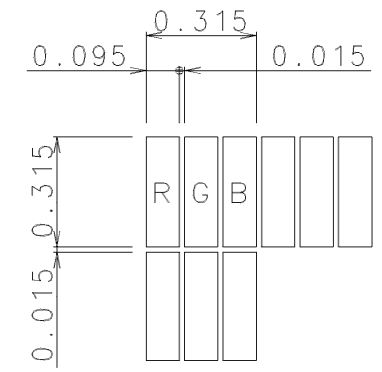
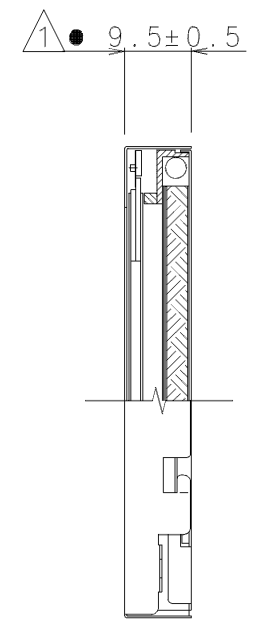




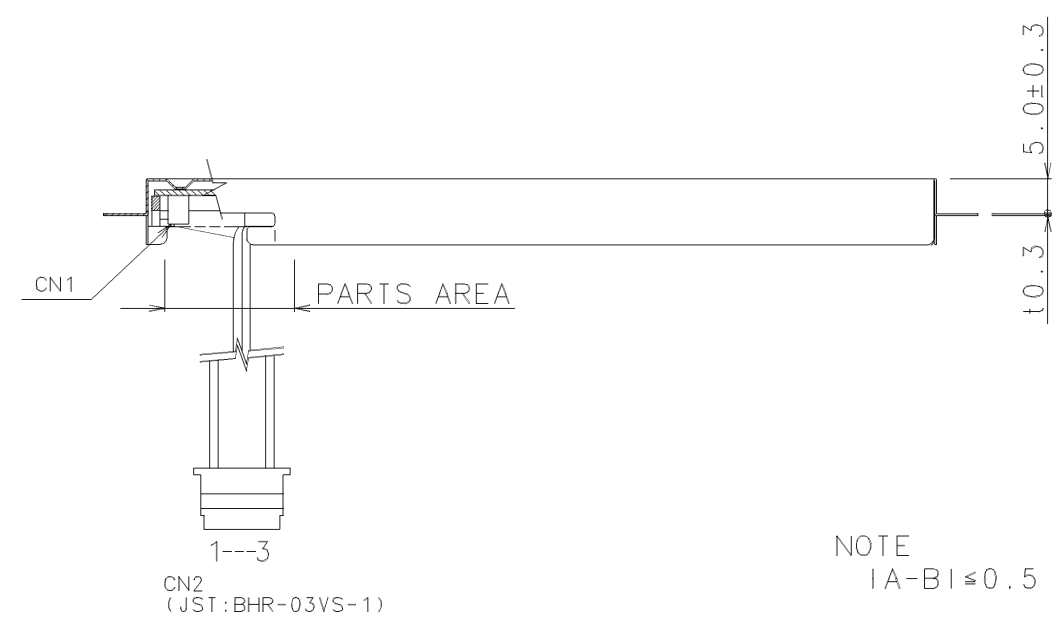
ISSUE	REVISIONS	DRAWN	APPROVED	DATE
1	ADDITION OF DIMENSIONS.	M.Nakada	H.Morosawa	MAR. 16 '00



CN1(REAR SIDE)
(ELCO:046214
020010800)



DOT DETAIL
(S=50:1)



NOTE
1A-B1 ≤ 0.5

PIN ASSIGNMENT	
CN1	
No.	SYMBOL
1	FLM
2	LP
3	CP
4	DF(M)
5	DISPOFF
6	VCC1
7	VCC1
8	VCC2
9	VCC2
10	VSS
11	VSS
12	VCONT
13	D0
14	D1
15	D2
16	D3
17	D4
18	D5
19	D6
20	D7
CN2	
1	CFL HOT
2	NC
3	CFL GND

TOLERANCE			THIRD ANGLE PROJECTION	DATE FEB.29'00	OPTREX CORPORATION	
MEASURE	A	B				C
L≤16	±0.1	±0.3	±1	UNIT mm	APPROVED T.Onishi	
16<L≤63	±0.2	±0.5	±1.5	SCALE 1:1	CHECKED S.Kuwabara	
63<L≤250	±0.3	±0.8	±2			DRAWN M.Nakada
250<L≤500	±0.5	±1.2	±3			
500<L	±0.8	±2	±4			
ANGLE	±1°	±5°	±10°			

TITLE
 DIMENSIONAL OUTLINE
 CODE
 F-51161 SERIES
 DATE
 FEB.29'00
 APPROVED
 T.Onishi
 CHECKED
 S.Kuwabara
 DRAWN
 M.Nakada
 DWG NO
 UE-300769A