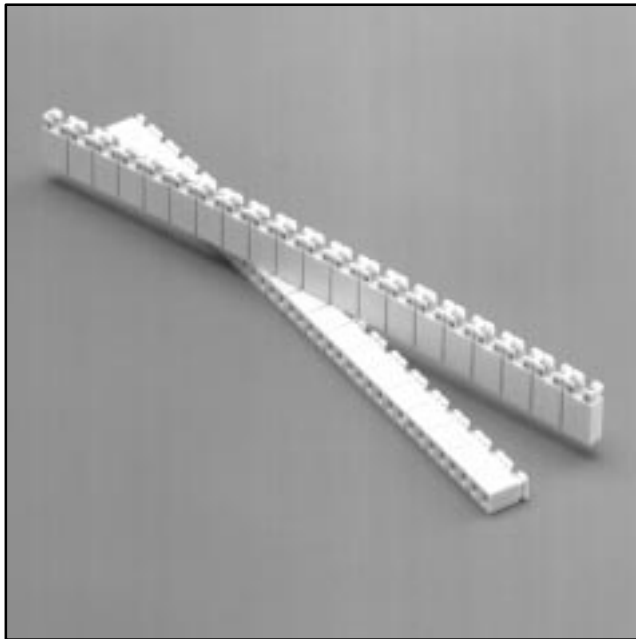


.100" Shunt

929 Series



113

- Double wipe contact is reliable and failure free
- Loop hole on top of the contact provides easy removal for testing
- Color coded body for easy recognition of plating
- Available in strips of twenty for enhanced robotic handling capability
- Open top contact allows easy probing and testing

Date Modified: February 19, 1999

TS-0528-04
Sheet 1 of 2

Physical

Insulation

Material: Glass Filled Polyester (PBT)
Flammability: UL 94V-0
Color: Red, Blue or Gray
See Ordering Information

Contact

Material: Copper Alloy
Plating: See Ordering Information
Marking: 3M Logo

Electrical

Current Rating: 2 A
Insulation Resistance: $> 5 \times 10^9 \Omega$ at 500 Vdc
Withstanding Voltage: 1500 Vrms at Sea Level

Environmental

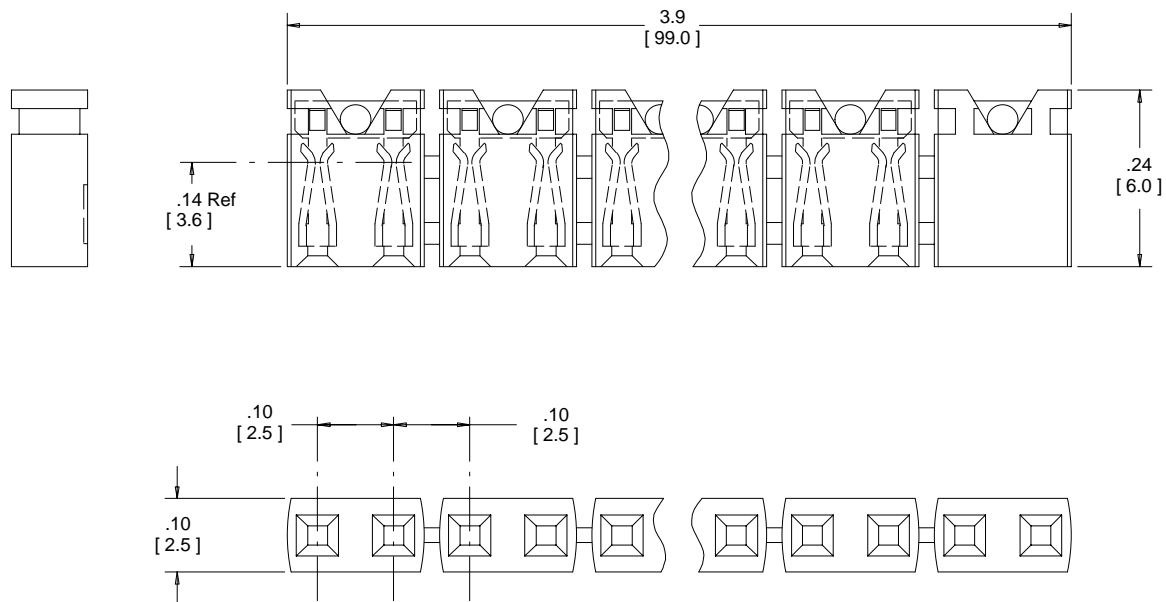
Temperature Rating: -55°C to $+105^{\circ}\text{C}$

UL File No.: E68080

3M Interconnect Solutions Division

6801 River Place Blvd.
Austin, TX 78726-9000

For technical, sales or ordering information call
800-225-5373



Notes:

1. Comes in a breakable strip of 20 Shunts.
2. Mates with a .025" Square Pin.

Inch
[mm]

Tolerance Unless Noted			
	.0	.00	.000
Inch	± .1	± .01	± .005

[] Dimensions for Reference only

Ordering Information

92995X-XX

Color / Plating

- 1 - 00 RED / 75 μ" [1.90 μm] tin
- 2 - 10 BLUE / 75 μ" [1.90 μm] Nickel underplate, 10 μ" [0.25 μm] GOLD in the wipe area.
- 3 - 30 GRAY / 75 μ" [1.90 μm] Nickel underplate, 30 μ" [0.76 μm] GOLD in the wipe area.

TS-0528-04
Sheet 2 of 2