



Inductors/Transformers Customizable, Surface Mount Torodial, Kool-Mu®, Powered Iron and MPP Cores

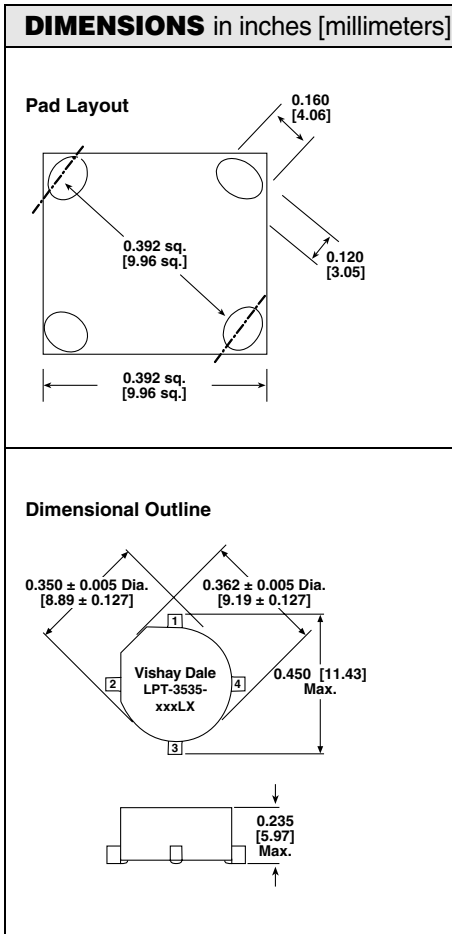


FEATURES

- Toroidal design for minimal EMI radiation in DC to DC converter applications
- Designed to support the growing need for efficient DC to DC converters in battery operated equipment
- Two separate windings provide versatility by ability to connect windings in series or parallel
- Operating Temperature Range: - 40 °C to + 125 °C
- Supplied on tape and reel and is designed to be pick and place compatible
- Custom versions and turns ratios available. Contact the factory with your specifications



RoHS
COMPLIANT



STANDARD ELECTRICAL SPECIFICATIONS						
MODEL LA = KOOL-MU® CORE	STANDARD IND. VALUES	ACTUAL IND. - μ H (LOC) \pm 15 %	RATED IDC (40 °C)	IND. AT IDC (LBIAS) [30 %]	DCR Ω	
LPT-3535-1R0LA	1.0	0.800	6.42	0.48 at 7.05	0.005	
LPT-3535-1R5LA	1.5	1.80	4.77	1.07 at 4.70	0.009	
LPT-3535-2R5LA	2.5	2.45	4.45	1.46 at 4.03	0.011	
LPT-3535-3R3LA	3.3	3.20	3.73	1.90 at 3.52	0.015	
LPT-3535-5R0LA	5.0	5.00	3.01	2.98 at 2.82	0.023	
LPT-3535-100LA	10	11.3	1.95	6.69 at 1.88	0.055	
LPT-3535-150LA	15	16.2	1.59	9.64 at 1.57	0.081	
LPT-3535-250LA	25	26.5	1.25	15.7 at 1.23	0.131	
LPT-3535-330LA	33	33.8	1.05	20.1 at 1.08	0.182	
LPT-3535-500LA	50	51.2	0.84	30.5 at 0.88	0.280	
LPT-3535-101LA	100	101	0.63	60.2 at 0.63	0.514	
LPT-3535-151LA	150	151	0.57	90.0 at 0.51	0.775	
LPT-3535-251LA	250	252	0.40	150.0 at 0.40	1.279	
LPT-3535-331LA	330	328	0.33	195.0 at 0.35	1.837	
LB = POWDER IRON						
LPT-3535-1R0LB	1.0	0.882	5.10	0.56 at 4.29	0.004	
LPT-3535-1R5LB	1.5	1.57	4.48	0.99 at 3.21	0.005	
LPT-3535-2R5LB	2.5	2.45	3.58	1.54 at 2.57	0.009	
LPT-3535-3R3LB	3.3	3.53	2.96	2.22 at 2.14	0.013	
LPT-3535-5R0LB	5.0	4.80	2.41	3.03 at 1.84	0.018	
LPT-3535-100LB	10	10.8	1.58	6.81 at 1.22	0.043	
LPT-3535-150LB	15	15.3	1.29	9.65 at 1.03	0.064	
LPT-3535-250LB	25	25.1	1.03	15.8 at 0.80	0.103	
LPT-3535-330LB	33	33.5	0.85	21.1 at 0.70	0.147	
LPT-3535-500LB	50	51.8	0.68	32.7 at 0.56	0.230	
LPT-3535-101LB	100	104	0.51	65.2 at 0.40	0.424	
LPT-3535-151LB	150	153	0.41	96.3 at 0.33	0.645	
LPT-3535-251LB	250	250	0.33	157.0 at 0.25	1.031	
LPT-3535-331LB	330	330	0.27	208.0 at 0.22	1.463	
LC = MPP						
LPT-3535-1R0LC	1.0	0.800	6.45	0.52 at 7.05	0.005	
LPT-3535-1R5LC	1.5	1.80	4.80	1.16 at 4.70	0.009	
LPT-3535-2R5LC	2.5	2.45	4.46	1.58 at 4.03	0.011	
LPT-3535-3R3LC	3.3	3.20	3.73	2.06 at 3.52	0.015	
LPT-3535-5R0LC	5.0	5.00	3.02	3.22 at 2.82	0.023	
LPT-3535-100LC	10	11.3	1.94	7.25 at 1.88	0.055	
LPT-3535-150LC	15	16.2	1.59	10.43 at 1.57	0.081	
LPT-3535-250LC	25	26.5	1.26	17.0 at 1.23	0.131	
LPT-3535-330LC	33	33.8	1.05	21.8 at 1.08	0.182	
LPT-3535-500LC	50	51.2	0.84	33.0 at 0.88	0.280	
LPT-3535-101LC	100	101	0.64	97.4 at 0.51	0.514	
LPT-3535-151LC	150	151	0.52	65.2 at 0.63	0.775	
LPT-3535-251LC	250	252	0.40	162.0 at 0.51	1.279	
LPT-3535-331LC	330	328	0.33	211.0 at 0.35	1.837	

DESCRIPTION						
LPT	3535	100 μ H	\pm 15 %	LA/LB/LC	ER	e2
MODEL	SIZE	INDUCTANCE VALUE	INDUCTANCE TOLERANCE	CORE/HEIGHT LA = KOOL-MU® LB = POWER IRON LC = MPP	PACKAGE CODE	JEDEC LEAD (Pb)-FREE STANDARD

GLOBAL PART NUMBER													
L	P	T	3	5	3	5	E	R	1	0	1	L	K
PRODUCT FAMILY			SIZE			PACKAGE CODE		INDUCTANCE VALUE			TOL.	CORE	

LPT-3535-xxxLA, LB, LC

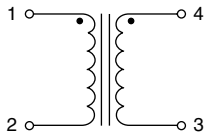


Vishay Dale

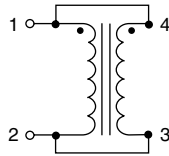
Inductors/Transformers Customizable, Surface Mount
Torodial, Kool-Mu[®], Powered Iron and MPP Cores

SCHEMATICS - CONNECTION DIAGRAMS

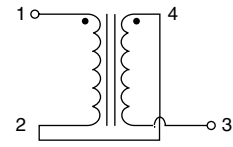
Transformer



Parallel



Series

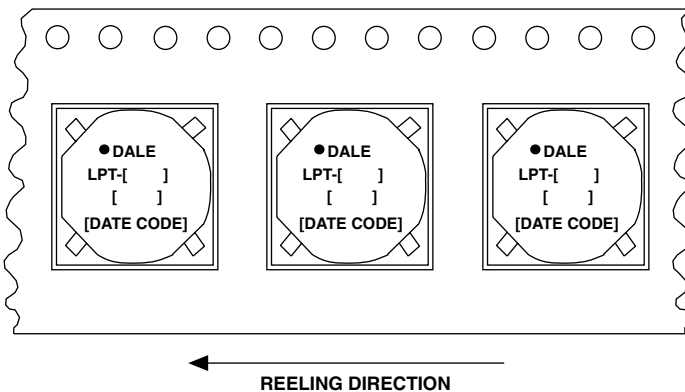


PART MARKING

- Vishay Dale
- Model number
- Pin 1 identification

PACKAGING in inches [millimeters]

Pocket Tape Orientation



Carrier Tape Width	0.945 [24.0]
Pitch	0.630 [16.0]
Parts per 13" [330.2] Reel	600

All embossed carrier tape packaging will be in compliance with the latest revision of EIA-481.



Notice

Specifications of the products displayed herein are subject to change without notice. Vishay Intertechnology, Inc., or anyone on its behalf, assumes no responsibility or liability for any errors or inaccuracies.

Information contained herein is intended to provide a product description only. No license, express or implied, by estoppel or otherwise, to any intellectual property rights is granted by this document. Except as provided in Vishay's terms and conditions of sale for such products, Vishay assumes no liability whatsoever, and disclaims any express or implied warranty, relating to sale and/or use of Vishay products including liability or warranties relating to fitness for a particular purpose, merchantability, or infringement of any patent, copyright, or other intellectual property right.

The products shown herein are not designed for use in medical, life-saving, or life-sustaining applications. Customers using or selling these products for use in such applications do so at their own risk and agree to fully indemnify Vishay for any damages resulting from such improper use or sale.