



SBL25LxxCT, SBLF25LxxCT & SBLB25LxxCT Series

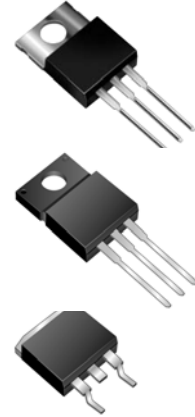
Dual Low V_F Schottky Barrier Rectifiers
Reverse Voltage 20 to 30 Volts Forward Current 25.0 Amperes

Features

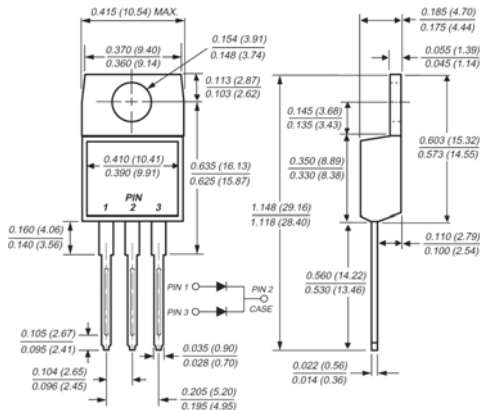
- ◆ Plastic package has Underwriters Laboratory Flammability Classification 94V-0
- ◆ Dual rectifier construction, positive center tap
- ◆ Metal silicon junction, majority carrier conduction
- ◆ Low power loss, high efficiency
- ◆ Guardring for overvoltage protection
- ◆ For use in low voltage, high frequency inverters, free wheeling, and polarity protection applications
- ◆ High temperature soldering guaranteed:
250°C/10 seconds, 0.25" (6.35mm) from case

Mechanical Data

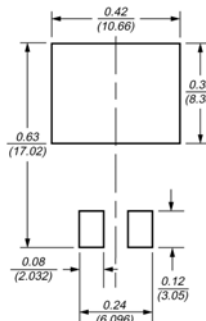
- ◆ Case: JEDEC TO-220AB, ITO-220AB & TO-263AB molded plastic body
- ◆ Terminals: Plated leads, solderable per MIL-STD-750, Method 2026
- ◆ Polarity: As marked
- ◆ Mounting Position: Any
- ◆ Mounting Torque: 10 in-lbs maximum
- ◆ Weight: 0.08 ounce, 2.24 grams



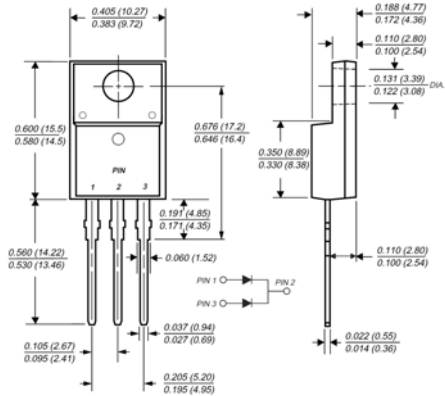
TO-220AB



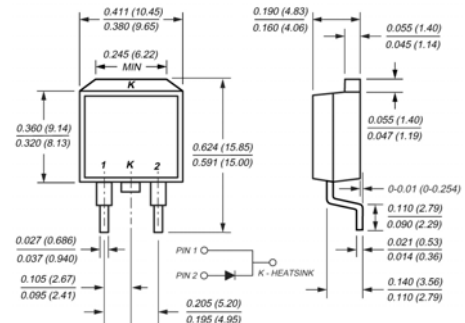
Mounting Pad Layout TO-263AB



ITO-220AB



TO-263AB(D²PAK)



Dimensions in inches and (millimeters)

Maximum Ratings and Electrical Characteristics

($T_c = 25^\circ\text{C}$ unless otherwise noted)

Parameter	Symbol	SBL25L20CT	SBL25L25CT	SBL25L30CT	Unit
Maximum repetitive peak reverse voltage	V_{RRM}	20	25	30	Volts
Working peak reverse voltage	V_{RWM}	20	25	30	Volts
Maximum DC blocking voltage	V_{DC}	20	25	30	Volts
Maximum average forward rectified current at $T_c=95^\circ\text{C}$	Total device Per leg $I_{F(AV)}$		25 12.5		Amps
Peak forward surge current 8.3ms single half sine-wave superimposed on rated load (JEDEC Method) per leg	I_{FSM}		180		Amps
Maximum instantaneous forward voltage per leg at 12.5A (Note 4)	$T_c=25^\circ\text{C}$ $T_c=125^\circ\text{C}$ V_F		0.49 0.39		Volt
Maximum instantaneous reverse current at rated DC blocking voltage per leg (Note 4)	$T_c=25^\circ\text{C}$ $T_c=100^\circ\text{C}$ $T_c=125^\circ\text{C}$ I_R		0.90 50 100		mA
Typical thermal resistance from junction to case per leg	$R_{\theta JC}$	SBL1.5 / SBLF 4.0 / SBLB 1.5			$^\circ\text{C/W}$
RMS Isolation voltage (SBLF type only) from terminals to heatsink with $t = 1.0$ second, $RH \leq 30\%$	V_{ISOL}		4500 (Note 1) 3500 (Note 2) 1500 (Note 3)		Volts
Operating junction temperature range	T_J		-55 to +150		$^\circ\text{C}$
Storage temperature range	T_{STG}		-55 to +150		$^\circ\text{C}$

- Notes:**
1. Clip mounting (on case), where lead does not overlap heatsink with 0.110" offset
 2. Clip mounting (on case), where leads do overlap heatsink
 3. Screw mounting with 4-40 screw, where washer diameter is < 4.9 mm (0.19")
 4. Pulse test: 300us pulse width, 1% duty cycle

RATINGS AND CHARACTERISTIC CURVES

($T_A = 25^\circ\text{C}$ unless otherwise noted)

Fig. 1 – Forward Current Derating Curve

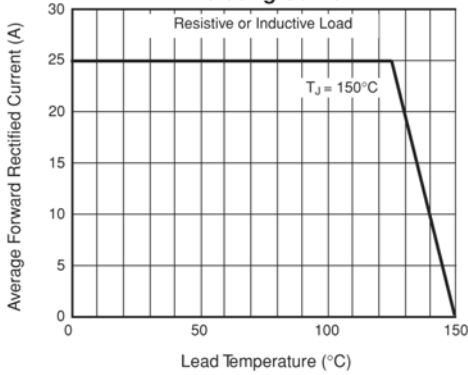


Fig. 2 – Maximum Non-Repetitive Peak Forward Surge Current Per Leg

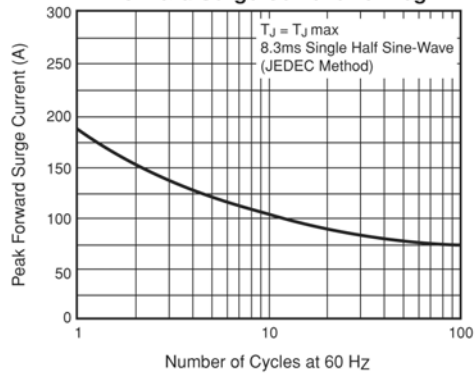


Fig. 3 – Typical Instantaneous Forward Characteristics Per Leg

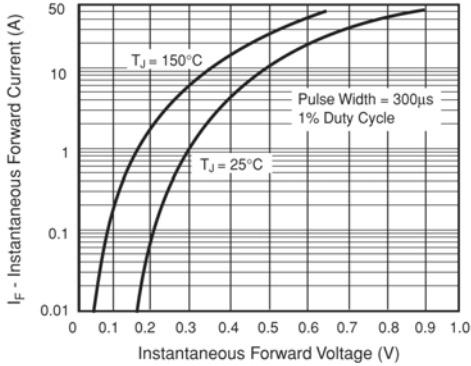


Fig. 4 – Typical Reverse Characteristics Per Leg

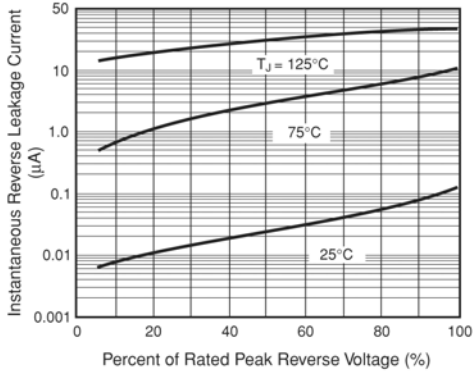


Fig. 5 – Typical Junction Capacitance Per Leg

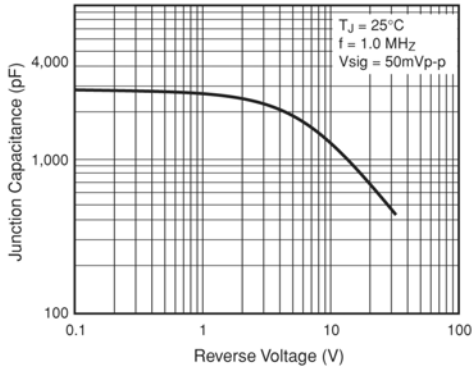


Fig. 6 – Typical Transient Thermal Impedance Per Leg

