

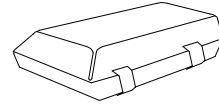


# Pletronics, Inc.

19013 36th Ave. W, Suite H • Lynnwood, WA 98036 USA  
Manufacturer of High Quality Frequency Control Products

## SM39S Crystal

- 4 Lead Surface Mount Plastic Crystal
- Solder Pad Compatible with our SM55, SM45, SM40 and other SM Crystals from Epson, Meiden & Citizen



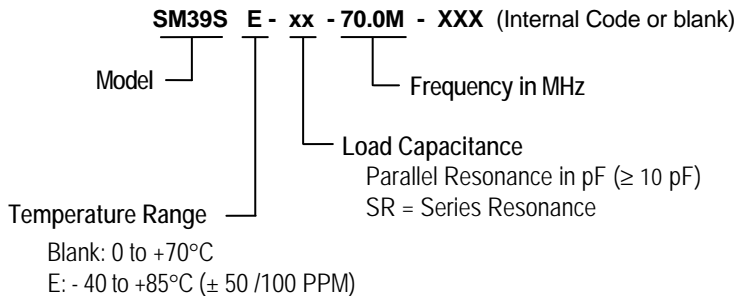
**3.500 MHz – 70.000 MHz**

### Standard Specifications

Calibration Frequency Tolerance at 25°C	± 50 PPM
Operating Temperature Range (OTR)	0 to +70°C is standard, but can be extended to -40 to +85°C
Frequency Stability (FS) over OTR	± 50 PPM is standard, ± 100 PPM at extended temperature range
Drive Level	50 mW is standard, customer may specify
Aging at 25°C	± 5 PPM per year
Shunt Capacitance	7 pF maximum

### Part Numbering Guide

Portions of the part number that appear after the frequency may not be marked on part (C of C provided)



### ESR Values

Oscillation Mode	Frequency Range (MHz)	Maximum ESR (Ohms)
Fundamental	3.500 – 3.999	200
	4.000 – 5.999	150
	6.000 – 9.999	100
	10.000 – 34.000	50
3rd Overtone	27.000 – 35.999	100
	36.000 – 70.000	80

Consult factory for lower ESR

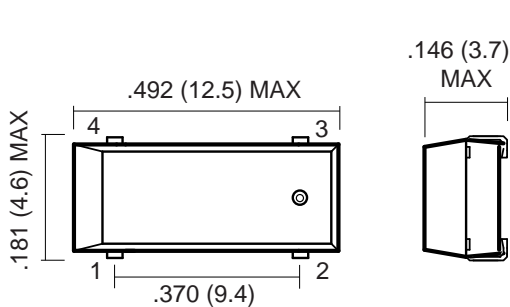
Consult factory for available frequencies and specs.  
Not all options available for all frequencies. A special part number may be assigned.

### Mechanical: inches (mm)

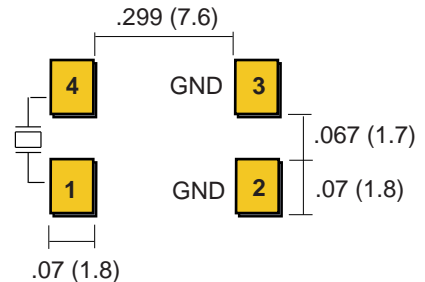
not to scale

### Solder Pads

Due to part size and factory abilities, part marking may vary from lot to lot and may contain our part number or an internal code.



Packaging  
24mm tape  
12mm pitch



Dec 2003