

## FEATURES

- 150 ps propagation delay**
- 25 ps overdrive and slew rate dispersion**
- 8 GHz equivalent input rise time bandwidth**
- 100 ps minimum pulse width**
- 35 ps typical output rise/fall**
- 10 ps deterministic jitter (DJ)**
- 200 fs random jitter (RJ)**
- 2 V to +3 V input range with +5 V/-5.2 V supplies**
- On-chip terminations at both input pins**
- Resistor-programmable hysteresis**
- Differential latch control**
- Power supply rejection > 70 dB**

## APPLICATIONS

- Automatic test equipment (ATE)**
- High speed instrumentation**
- Pulse spectroscopy**
- Medical imaging and diagnostics**
- High speed line receivers**
- Threshold detection**
- Peak and zero-crossing detectors**
- High speed trigger circuitry**
- Clock and data signal restoration**

## GENERAL DESCRIPTION

The ADCMP580/ADCMP581/ADCMP582 are ultrafast voltage comparators fabricated on Analog Devices, Inc.'s proprietary XFCB3 Silicon Germanium (SiGe) bipolar process. The ADCMP580 features CML output drivers; the ADCMP581 features reduced swing ECL (negative ECL) output drivers; and the ADCMP582 features reduced-swing PECL (positive ECL) output drivers.

The three comparators offer 150 ps propagation delay and 100 ps minimum pulse width for 10 Gbps operation with 200 fs random jitter (RJ). Overdrive and slew rate dispersion is typically less than 25 ps.

## FUNCTIONAL BLOCK DIAGRAM

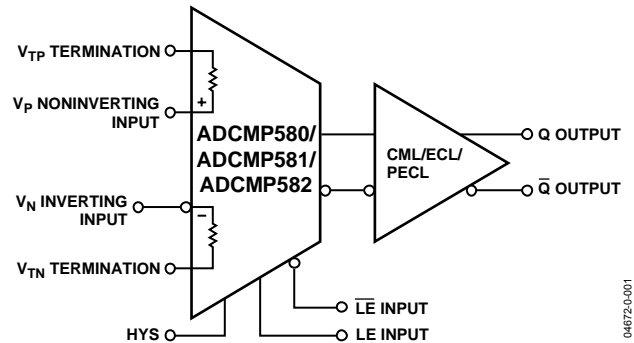


Figure 1.

The  $\pm 5$  V power supplies enable a wide  $-2$  V to  $+3$  V input range with logic levels referenced to the CML/NECL/PECL outputs. The three inputs have  $50 \Omega$  on-chip termination resistors with the optional capability to be left open (on an individual pin basis) for applications requiring high impedance input.

The CML output stage is designed to directly drive 400 mV into  $50 \Omega$  transmission lines terminated to ground. The NECL output stages are designed to directly drive 400 mV into  $50 \Omega$  terminated to  $-2$  V. The PECL output stages are designed to directly drive 400 mV into  $50 \Omega$  terminated to  $V_{CCO} - 2$  V. High speed latch and programmable hysteresis are also provided. The differential latch input controls are also  $50 \Omega$  terminated to an independent  $V_{TT}$  pin to interface to either CML or ECL or to PECL logic.

The ADCMP580/ADCMP581/ADCMP582 are available in a 16-lead LFCSP package.

## Rev. PrA

Information furnished by Analog Devices is believed to be accurate and reliable. However, no responsibility is assumed by Analog Devices for its use, nor for any infringements of patents or other rights of third parties that may result from its use. Specifications subject to change without notice. No license is granted by implication or otherwise under any patent or patent rights of Analog Devices. Trademarks and registered trademarks are the property of their respective owners.

## TABLE OF CONTENTS

Electrical Characteristics .....	3	Using/Disabling the Latch Feature.....	9
Absolute Maximum Ratings.....	5	Optimizing High Speed Performance .....	10
ESD Caution.....	5	Comparator Propagation Delay Dispersion .....	10
Thermal Considerations.....	5	Comparator Hysteresis .....	11
Pin Configuration and Function Descriptions.....	6	Minimum Input Slew Rate Requirement .....	11
Typical Performance Characteristics .....	7	Typical Application Circuits.....	12
Application Information.....	9	Timing Information .....	13
Power/Ground Layout and Bypassing .....	9	Outline Dimensions .....	14
ADCMP58x Family of Output Stages .....	9	Ordering Guide .....	14

## REVISION HISTORY

6/04—Revision PrA

## ELECTRICAL CHARACTERISTICS

$V_{CC1} = +5.0\text{ V}$ ,  $V_{EE} = -5.0\text{ V}$ ,  $V_{CC0} = +3.3\text{ V}$ ,  $T_A = 25^\circ\text{C}$ , unless otherwise noted.

Table 1.

Parameter	Symbol	Condition	Min	Typ	Max	Unit
<b>DC INPUT CHARACTERISTICS</b>						
Input Voltage Range	$V_P, V_N$		-2.0		+3.0	V
Input Differential Range			-2.0		+2.0	V
Input Offset Voltage	$V_{OS}$		-5.0	$\pm 2.0$	+5.0	mV
Offset Voltage Tempco	$\Delta V_{OS}/dT$			10.0		$\mu\text{V}/^\circ\text{C}$
Input Bias Current	$I_P, I_N$	Open termination		15.0	30.0	$\mu\text{A}$
Input Bias Current Tempco				50.0		$\text{nA}/^\circ\text{C}$
Input Offset Current				2.0	5.0	$\mu\text{A}$
Input Capacitance	$C_P, C_N$			TBD		pF
Input Resistance			47.5	50	52.5	$\Omega$
Input Resistance, Differential Mode		Open termination		50		k $\Omega$
Input Resistance, Common Mode		Open termination		500		k $\Omega$
Active Gain	$A_V$			48		dB
Common-Mode Rejection	CMRR	$V_{CM} = -2.0\text{ V to } +3.0\text{ V}$		50		dB
Hysteresis		$R_{HYS} = \infty$		$\pm 1$		mV
<b>LATCH ENABLE CHARACTERISTICS</b>						
ADCMP580 (CML)						
Latch Enable Input Range			-0.8		0	V
Latch Enable Input Differential			0.2	0.4	0.5	V
Latch Setup Time	$t_S$	$V_{OD} = 100\text{ mV}$		60		ps
Latch Hold Time	$t_H$	$V_{OD} = 100\text{ mV}$		0		ps
ADCMP581 (NECL)						
Latch Enable Input Range			-1.8		+0.8	V
Latch Enable Input Differential			0.2	0.4	0.5	V
Latch Setup Time	$t_S$	$V_{OD} = 100\text{ mV}$		25		ps
Latch Hold Time	$t_H$	$V_{OD} = 100\text{ mV}$		0		ps
ADCMP582 (PECL)						
Latch Enable Input Range			$V_{CC0} - 1.8$		$V_{CC0} - 0.8$	V
Latch Enable Input Differential			0.2	0.4	0.5	V
Latch Setup Time	$t_S$	$V_{OD} = 100\text{ mV}$		5		ps
Latch Hold Time	$t_H$	$V_{OD} = 100\text{ mV}$		0		ps
Latch Enable Input Impedance			47.5	50.0	52.5	ps
Latch to Output Delay	$t_{PLOH}, t_{PLOL}$	$V_{OD} = 100\text{ mV}$		150		ps
Latch Minimum Pulse Width	$t_{PL}$	$V_{OD} = 100\text{ mV}$		100		ps
<b>DC OUTPUT CHARACTERISTICS</b>						
ADCMP580 (CML)						
Output Impedance	$Z_{OUT}$		47.5	50	52.5	$\Omega$
Output Voltage High Level	$V_{OH}$	50 $\Omega$ to GND	-0.10	-0.05	0.00	V
Output Voltage Low Level	$V_{OL}$	50 $\Omega$ to GND	$V_{OH} - 0.45$	$V_{OH} - 0.40$	$V_{OH} - 0.35$	V
Output Voltage Differential		50 $\Omega$ to GND	350	400	450	mV
Temperature Coefficient, $V_{OH}$	$\Delta V_{OH}/dT$	50 $\Omega$ to GND		TBD		$\text{mV}/^\circ\text{C}$
Temperature Coefficient, $V_{OL}$	$\Delta V_{OL}/dT$	50 $\Omega$ GND		TBD		$\text{mV}/^\circ\text{C}$
ADCMP581 (NECL)						
Output Voltage High Level	$V_{OH}$	50 $\Omega$ to -2.0 V	-0.90	-0.80	-0.70	V
Output Voltage Low Level	$V_{OL}$	50 $\Omega$ to -2.0 V	$V_{OH} - 0.45$	$V_{OH} - 0.40$	$V_{OH} - 0.35$	V
Output Voltage Differential		50 $\Omega$ to -2.0 V	350	400	450	mV

Parameter	Symbol	Condition	Min	Typ	Max	Unit
ADCMP582 (PECL)						
Output Voltage High Level	V <sub>OH</sub>	50 Ω to V <sub>CCO</sub> – 2.0 V	V <sub>CCO</sub> – 0.9	V <sub>CCO</sub> – 0.80	V <sub>CCO</sub> – 0.70	V
Output Voltage Low Level	V <sub>OL</sub>	50 Ω to V <sub>CCO</sub> – 2.0 V	V <sub>OH</sub> – 0.45	V <sub>OH</sub> – 0.40	V <sub>OH</sub> – 0.35	V
Output Voltage Differential		50 Ω to V <sub>CCO</sub> – 2.0 V	350	400	450	mV
AC PERFORMANCE						
Propagation Delay	t <sub>PD</sub>	V <sub>OD</sub> = 200 mV		150		ps
Propagation Delay		V <sub>OD</sub> = 20 mV		165		ps
Propagation Delay Tempco	Δt <sub>PD</sub> /dT			0.5		ps/°C
Prop Delay Skew—Rising Transition to Falling Transition		V <sub>OD</sub> = 200 mV, 5 V/ns		10		ps
Overdrive Dispersion		50 mV < V <sub>OD</sub> < 1.0 V		10		ps
		5 mV < V <sub>OD</sub> < 1.0 V		15		ps
Slew Rate Dispersion		2 V/ns to 10 V/ns		25		ps
Pulse Width Dispersion		100 ps to 5 ns		5		ps
Duty Cycle Dispersion		1.0 V/ns, V <sub>CM</sub> = 0.0 V		10		ps
		1.0 V/ns, V <sub>CM</sub> = 2.0 V		5		ps
Common-Mode Dispersion		V <sub>OD</sub> = 0.4V, –2 V < V <sub>CM</sub> < 3 V		5		ps/V
Equivalent Input Bandwidth <sup>1</sup>	BW <sub>EQ</sub>	0.0 V to 400 mV input t <sub>R</sub> = t <sub>F</sub> = 25 ps, 20/80		8.0		GHz
Toggle Rate		>50% Output Swing		12.5		Gbps
Deterministic Jitter	DJ	V <sub>OD</sub> = 200 mV, 5 V/ns PRBS <sup>31</sup> – 1 NRZ, 4 Gbps		10		ps
Deterministic Jitter	DJ	V <sub>OD</sub> = 200 mV, 5 V/ns PRBS <sup>31</sup> – 1 NRZ, 10 Gbps		TBD		ps
RMS Random Jitter	RJ	V <sub>OD</sub> = 200 mV, 5 V/ns, 1.25 GHz		0.2		ps
Minimum Pulse Width	PW <sub>MIN</sub>	t <sub>PD</sub> /P <sub>W</sub> < 5 ps		100		ps
Minimum Pulse Width	PW <sub>MIN</sub>	t <sub>PD</sub> /P <sub>W</sub> < 10 ps		80		ps
Rise Time	t <sub>R</sub>	20/80		35		ps
Fall Time	t <sub>F</sub>	20/80		35		ps
POWER SUPPLY						
Positive Supply Voltage	V <sub>CCI</sub>		+4.5	+5.0	+5.5	V
Negative Supply Voltage	V <sub>EE</sub>		–5.5	–5.0	–4.5	V
Logic Supply Voltage	V <sub>CCO</sub>		+4.5/+2.0	+5.0/+2.5	+5.5/+3.0	V
ADCMP580 (CML)						
Positive Supply Current	I <sub>VCCI</sub>	V <sub>CCI</sub> = +5.0 V, 50 Ω to Ground		6	8	mA
Negative Supply Current	I <sub>VEE</sub>	V <sub>EE</sub> = –5.0 V, 50 Ω to Ground		43	50	mA
Power Dissipation	P <sub>D</sub>	50 Ω to Ground		244	260	mW
ADCMP581 (NECL)						
Positive Supply Current	I <sub>VCCI</sub>	V <sub>CCI</sub> = +5.0 V, 50 Ω to –2 V		6	8	mA
Negative Supply Current	I <sub>VEE</sub>	V <sub>EE</sub> = –5.0 V, 50 Ω to –2 V		28	35	mA
Power Dissipation	P <sub>D</sub>	50 Ω to –2 V		218	240	mW
ADCMP582 (PECL)						
Positive Supply Current	I <sub>VCCI</sub> + I <sub>VCCO</sub>	V <sub>CCI</sub> = +5.0 V, V <sub>CCO</sub> = +5.0 V 50 Ω to V <sub>CCO</sub> – 2 V		47	55	mA
Negative Supply Current	I <sub>VEE</sub>	V <sub>EE</sub> = –5.0 V, 50 Ω to V <sub>CCO</sub> – 2 V		28	35	mA
Power Dissipation	P <sub>D</sub>	50 Ω to V <sub>CCO</sub> – 2 V		253	275	mW
Power Supply Rejection (V <sub>CCI</sub> )	PSR <sub>VCCI</sub>	V <sub>CCI</sub> =5.0 V + 5%		70		dB
Power Supply Rejection (V <sub>EE</sub> )	PSR <sub>VEE</sub>	V <sub>EE</sub> =–5.0 V + 5%		75		dB
Power Supply Rejection (V <sub>CCO</sub> )	PSR <sub>VCCO</sub>	V <sub>CCO</sub> =3.3 V + 5%		70		dB

<sup>1</sup> Equivalent Input Bandwidth assumes a simple first-order input response and is calculated with the following formula:  $BW_{EQ} = 0.22/\sqrt{(tr_{COMP}^2 - tr_{IN}^2)}$ , where  $tr_{IN}$  is the 20/80 transition time of a quasi-Gaussian input edge applied to the comparator input and  $tr_{COMP}$  is the effective transition time digitized by the comparator.

## ABSOLUTE MAXIMUM RATINGS

Table 2.

Parameter	Rating
SUPPLY VOLTAGES	
Positive Supply Voltage ( $V_{CC1}$ to GND)	-0.5 V to +6.0 V
Negative Supply Voltage ( $V_{EE}$ to GND)	-6.0 V to +0.5 V
Logic Supply Voltage ( $V_{CC0}$ to GND)	-0.5 V to +6.0 V
INPUT VOLTAGES	
Input Voltage	-3.0 V to +4.0 V
Differential Input Voltage	-2.5 V to +2.5 V
Input Voltage, Latch Enable	-2.5 V to +5.5 V
HYSTERESIS CONTROL PIN	
Applied Voltage (HYS to $V_{EE}$ )	-5.5 V to +0.5 V
Maximum Input/Output Current	1 mA
OUTPUT CURRENT	
ADCMP580 (CML)	-25 mA
ADCMP581 (NECL)	-40 mA
ADCMP582 (PECL)	-40 mA
TEMPERATURE	
Operating Temperature, Ambient	-40°C to +85°C
Operating Temperature, Junction	125°C
Storage Temperature Range	-65°C to +150°C

## THERMAL CONSIDERATIONS

The ADCMP580/ADCMP581/ADCMP582 LFCSP 16-lead package option has a  $\theta_{JA}$  (junction to ambient thermal resistance) of 70°C/W in still air.

Stress above those listed under Absolute Maximum Ratings may cause permanent damage to the device. This is a stress rating only and functional operation of the device at these or any other conditions above those indicated in the operational sections of this specification is not implied. Exposure to absolute maximum rating conditions for extended periods may affect device reliability.

## ESD CAUTION

ESD (electrostatic discharge) sensitive device. Electrostatic charges as high as 4000 V readily accumulate on the human body and test equipment and can discharge without detection. Although this product features proprietary ESD protection circuitry, permanent damage may occur on devices subjected to high energy electrostatic discharges. Therefore, proper ESD precautions are recommended to avoid performance degradation or loss of functionality.



## PIN CONFIGURATION AND FUNCTION DESCRIPTIONS

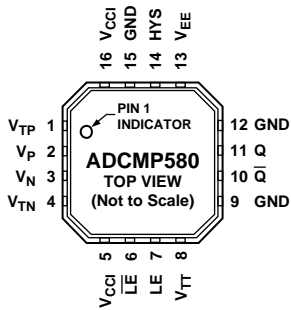


Figure 2. ADCMP580 Pin Configuration

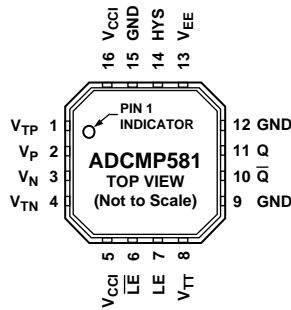


Figure 3. ADCMP581 Pin Configuration

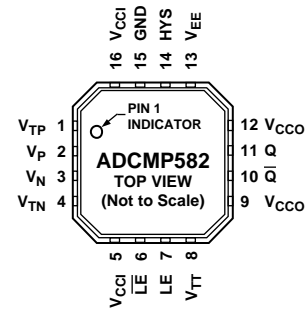


Figure 4. ADCMP582 Pin Configuration

Table 3. Pin Descriptions

Pin No.	Mnemonic	Description
1	V <sub>TP</sub>	Termination Resistor Return Pin for V <sub>P</sub> Input.
2	V <sub>P</sub>	Noninverting Analog Input.
3	V <sub>N</sub>	Inverting Analog Input.
4	V <sub>TN</sub>	Termination Resistor Return Pin for V <sub>N</sub> Input.
5, 16	V <sub>CCI</sub>	Positive Supply Voltage.
6	$\overline{LE}$	Latch Enable Input Pin, Inverting Side. In compare mode ( $\overline{LE}$ = low), the output tracks changes at the input of the comparator. In latch mode ( $\overline{LE}$ = high), the output reflects the input state just prior to the comparator's being placed into latch mode. $\overline{LE}$ must be driven in compliment with LE.
7	LE	Latch Enable Input Pin, Noninverting Side. In compare mode (LE = high), the output tracks changes at the input of the comparator. In latch mode (LE = low), the output reflects the input state just prior to the comparator's being placed into latch mode. LE must be driven in compliment with $\overline{LE}$ .
8	V <sub>TT</sub>	Termination Return Pin for the LE/ $\overline{LE}$ Input Pins. For the ADCMP580 (CML output stage), this pin should be connected to the GND ground. For the ADCMP581 (ECL output stage), this pin should be connected to the -2 V termination potential. For the ADCMP582 (PECL output stage), this pin should be connected to the V <sub>CCO</sub> - 2 V termination potential.
9, 12	GND/V <sub>CCO</sub>	Digital Ground Pin/Positive Logic Power Supply Terminal. For the ADCMP580/ADCMP581, this pin should be connected to the GND pin. For the ADCMP582, this pin should be connected to the positive logic power V <sub>CCO</sub> supply.
10	$\overline{Q}$	Inverting Output. $\overline{Q}$ is logic low if the analog voltage at the noninverting input, V <sub>P</sub> , is greater than the analog voltage at the inverting input, V <sub>N</sub> , provided that the comparator is in compare mode. See the LE/ $\overline{LE}$ descriptions (Pins 6 to 7) for more information.
11	Q	Noninverting Output. Q is logic high if the analog voltage at the noninverting input, V <sub>P</sub> , is greater than the analog voltage at the inverting input, V <sub>N</sub> , provided that the comparator is in compare mode. See the LE/ $\overline{LE}$ descriptions (Pins 6 to 7) for more information.
13	V <sub>EE</sub>	Negative Power Supply.
14	HYS	Hysteresis Control. Leave this pin disconnected for zero hysteresis. Connect this pin to the V <sub>EE</sub> supply with a suitably sized resistor to add the desired amount of hysteresis. Refer to Figure 9 for proper sizing of the HYS hysteresis control resistor.
15	GND	Analog Ground.
Heatsink	N/C	The metallic back surface of the package is not electrically connected to any part of the circuit. It can be left floating for optimal electrical isolation between the package handle and the substrate of the die. It can also be soldered to the application board if improved thermal and/or mechanical stability is desired.

### TYPICAL PERFORMANCE CHARACTERISTICS

$V_{CC1} = +5.0\text{ V}$ ,  $V_{EE} = -5.0\text{ V}$ ,  $V_{CC0} = +3.3\text{ V}$ ,  $T_A = 25^\circ\text{C}$ , unless otherwise noted.

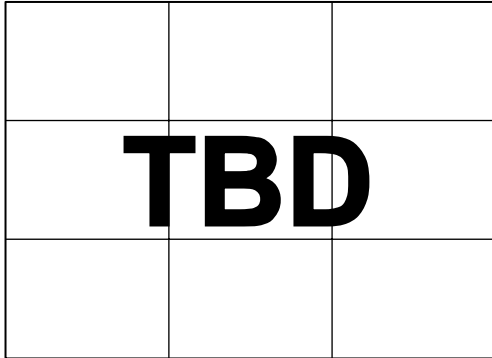


Figure 5. Propagation Delay vs. Input Overdrive

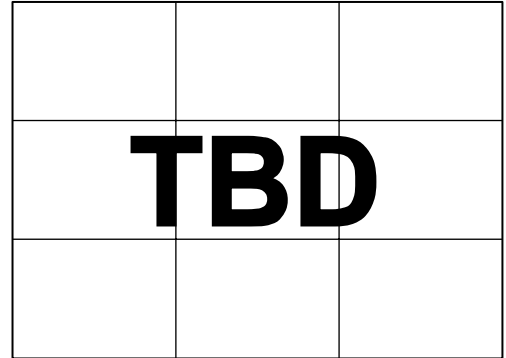


Figure 8. Rise/Fall Time vs. Temperature

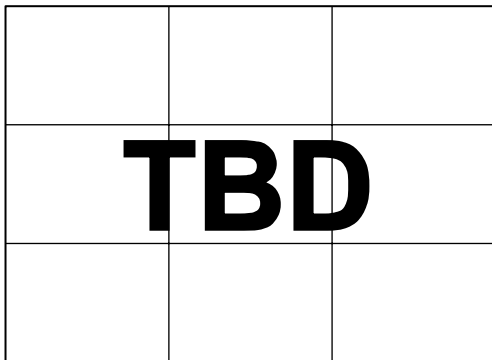


Figure 6. Propagation Delay vs. Input Common Mode

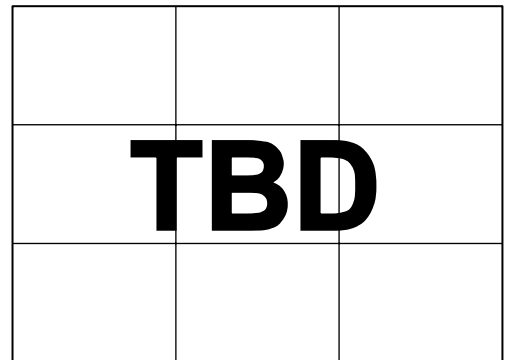


Figure 9. Hysteresis vs.  $R_{HYS}$  Control Resistor

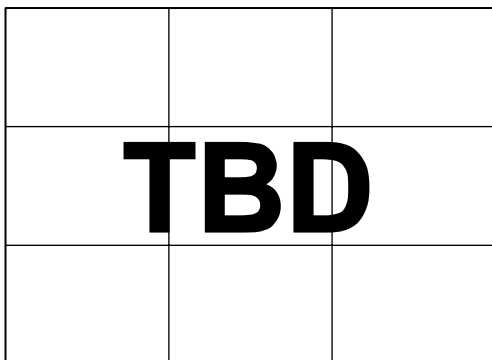


Figure 7. Propagation Delay vs. Temperature

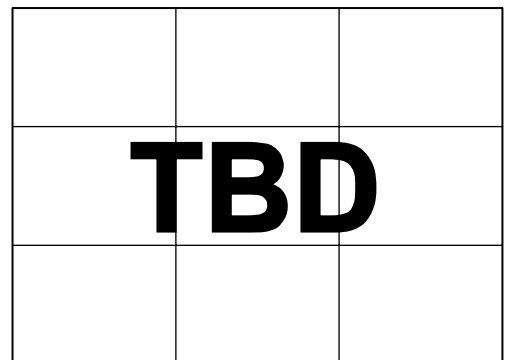


Figure 10. Input Bias Current vs. Input Differential

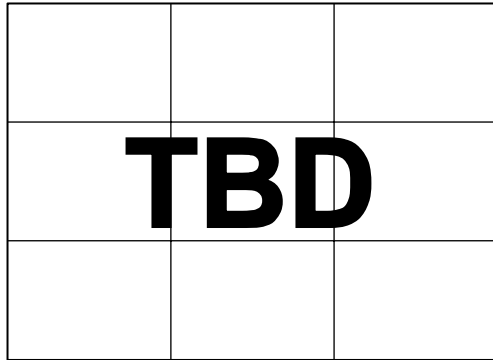


Figure 11. Input Bias Current vs. Temperature

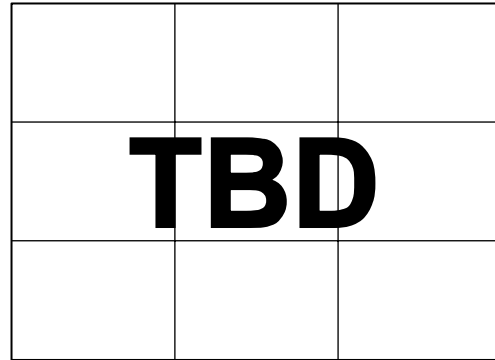


Figure 13. Output Levels vs. Temperature

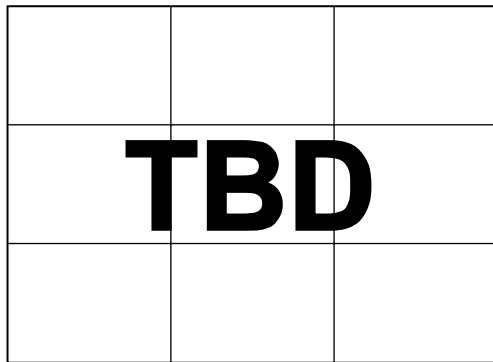


Figure 12. Input Offset Voltages vs. Temperature



## APPLICATION INFORMATION

### POWER/GROUND LAYOUT AND BYPASSING

The ADCMP58x family of comparators is designed for very high speed applications. Consequently, high speed design techniques must be used to achieve the specified performance. It is critically important to use low impedance supply planes, particularly for the negative supply ( $V_{EE}$ ), the output supply plane ( $V_{CCO}$ ) and the ground plane (GND). Individual supply planes are recommended as part of a multilayer board. Providing the lowest inductance return path for the switching currents ensures the best possible performance in the target application.

It is also important to adequately bypass the input and output supplies. A 1  $\mu\text{F}$  electrolytic bypass capacitor should be placed within several inches of each power supply pin to ground. In addition, multiple high quality 0.1  $\mu\text{F}$  bypass capacitors should be placed as close as possible to each of the  $V_{EE}$ ,  $V_{CCI}$ , and  $V_{CCO}$  supply pins and should be connected to the GND plane with redundant vias. High frequency bypass capacitors should be carefully selected for minimum inductance and ESR. Parasitic layout inductance should be strictly avoided to maximize the effectiveness of the bypass at high frequencies.

### ADCMP58x FAMILY OF OUTPUT STAGES

Specified propagation delay dispersion performance can be achieved by using proper transmission line terminations. The outputs of the ADCMP580 comparators are designed to directly drive 400 mV into 50  $\Omega$  cable or microstrip/stripline transmission lines terminated with 50  $\Omega$  referenced to the GND return. The CML output stage is shown in the simplified schematic diagram in Figure 14. The outputs are each back-terminated with 50  $\Omega$  for best transmission line matching. The outputs of the ADCMP581/ADCMP582 are illustrated in Figure 15 and should be terminated to  $-2\text{ V}$  for ECL outputs of ADCMP581 and  $V_{CCO} - 2\text{ V}$  for PECL outputs of ADCMP582. As an alternative, Thevenin equivalent termination networks may also be used. If high speed CML signals must be routed more than a centimeter, then either microstrip or stripline techniques is required to ensure proper transition times and to prevent excessive output ringing and pulse-width-dependant propagation delay dispersion.

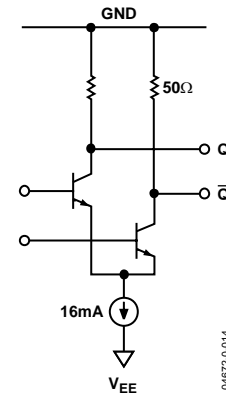


Figure 14. Simplified Schematic Diagram of ADCMP580 CML Output Stage

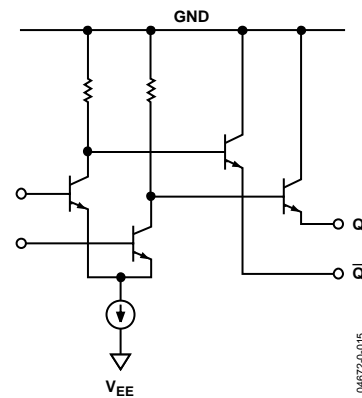


Figure 15. Simplified Schematic Diagram of the ADCMP581/ADCMP582 ECL Output Stage

### USING/DISABLING THE LATCH FEATURE

The latch inputs ( $\overline{\text{LE}}/\overline{\text{LE}}$ ) are active low for latch mode, and are internally terminated with 50  $\Omega$  resistors to the  $V_{TT}$  pin. When using the ADCMP580,  $V_{TT}$  should be connected to ground. When using the ADCMP581,  $V_{TT}$  should be connected to  $-2\text{ V}$ . When using the ADCMP582,  $V_{TT}$  should be connected externally to  $V_{CCO} - 2\text{ V}$ , preferably to its own low inductance plane.

When using the ADCMP580/ADCMP582, the latch function can be disabled by connecting the  $\overline{\text{LE}}$  pin to  $V_{EE}$  with an external pull-down resistor and leaving the LE pin unconnected. To prevent excessive power dissipation, the resistor should be 1.5 k $\Omega$ . When using the ADCMP581 comparators, the latch can be disabled by connecting the  $\overline{\text{LE}}$  pin to GND with an external 450  $\Omega$  resistor, and leaving the LE pin disconnected.

**OPTIMIZING HIGH SPEED PERFORMANCE**

As with any high speed comparator, proper design and layout techniques are essential to obtaining the specified performance. Stray capacitance, inductance, inductive power and ground impedances, or other layout issues can severely limit performance and can cause oscillation. Discontinuities along input and output transmission lines can also severely limit the specified pulse width dispersion performance.

For applications working in a 50 Ω environment, input and output matching have a significant impact on data-dependant (or deterministic) jitter (DJ) and pulse width dispersion performance. The ADCMP58x family of comparators provides internal 50 Ω termination resistors for both  $V_P$  and  $V_N$  inputs. The return side for each termination is pinned out separately with the  $V_{TP}$  and  $V_{TN}$  pins, respectively. If the a 50 Ω termination is desired at one or both of the  $V_P/V_N$  inputs, the  $V_{TP}$  and  $V_{TN}$  pins can be connected (or disconnected) to (from) the desired termination potential as appropriate. The termination potential should be carefully bypassed using ceramic capacitors as discussed previously to prevent undesired aberrations on the input signal due to parasitic inductance in the termination return path. If a 50 Ω termination is not desired, either one or both of the  $V_{TP}/V_{TN}$  termination pins can be left disconnected. In this case, the open pins should be left floating with no external pull downs or bypassing capacitors.

For applications that require high speed operation, but do not have on-chip 50 Ω termination resistors, some reflections should be expected because the comparator inputs can no longer provide matched impedance to the input trace leading up to the device. It then becomes important to back-match the drive source impedance to the input transmission path leading to the input to minimize multiple reflections. For applications in which the comparator is very close to the driving signal source, the source impedance should be minimized. High source impedance in combination with parasitic input capacitance of the comparator could cause undesirable degradation in bandwidth at the input, thus degrading the overall response. Although the ADCMP58x family of comparators has been designed to minimize input capacitance, some parasitic capacitance is inevitable. It is therefore recommended that the drive source impedance should be no more than 50 Ω for best high speed performance.

**COMPARATOR PROPAGATION DELAY DISPERSION**

The ADCMP58x family of comparators has been specifically designed to reduce propagation delay dispersion over a wide input overdrive range of 5 mV to 500 mV. Propagation delay dispersion is a change in propagation delays, which results from a change in the degree of overdrive or slew rate (how far or fast the input signal exceeds the switching threshold). The overall result is a higher degree of timing accuracy.

Propagation delay dispersion is a specification which becomes important in critical timing applications such as data communication, automatic test and measurement, instrumentation, and event driven applications such as pulse spectroscopy, nuclear instrumentation, and medical imaging. Dispersion is defined as the variation in the overall propagation delay as the input overdrive conditions are changed (Figure 16 and Figure 17). For the ADCMP58x family of comparators, dispersion is typically < 25 ps since the overdrive varies from 5 mV to 500 mV, and the input slew rate varies from 1 V/ns to 10 V/ns. This specification applies for both positive and negative signals since the ADCMP58x family of comparators has almost equal delays for positive- and negative-going inputs.

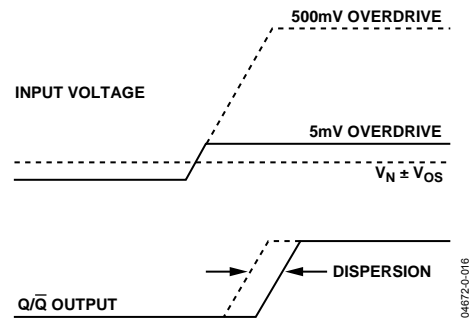


Figure 16. Propagation Delay—Overdrive Dispersion

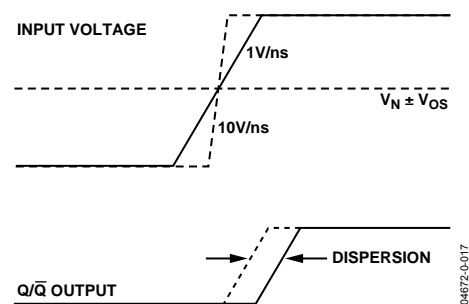


Figure 17. Propagation Delay—Slew Rate Dispersion

### COMPARATOR HYSTERESIS

Adding hysteresis to a comparator is often desirable in a noisy environment or when the differential inputs are very small or slow moving. The transfer function for a comparator with hysteresis is shown in Figure 18. If the input voltage approaches the threshold from the negative direction, the comparator switches from a low to a high when the input crosses  $+V_H/2$ . The new switching threshold becomes  $-V_H/2$ . The comparator remains in the high state until the threshold  $-V_H/2$  is crossed coming from the positive direction. In this manner, noise centered on 0 V input does not cause the comparator to switch states unless it exceeds the region bounded by  $\pm V_H/2$ .

The customary technique for introducing hysteresis into a comparator uses positive feedback from the output back to the input. A limitation of this approach is that the amount of hysteresis varies with the output logic levels, resulting in hysteresis that is not symmetric about the threshold. The external feedback network can also introduce significant parasitics that will reduce high speed performance, and can even reduce overall stability in some cases.

The ADCMP58x family of comparators offers a programmable hysteresis feature that can significantly improve the accuracy and stability of the desired hysteresis. By connecting an external pull-down resistor from the HYS pin to  $V_{EE}$ , a variable amount of hysteresis can be applied. Leaving the HYS pin disconnected disables the feature and hysteresis is then less than 1 mV as specified. The maximum range of hysteresis that can be applied by using this method is approximately  $\pm 25$  mV.

Figure 19 illustrates the amount of applied hysteresis as a function of external resistor value. The advantage of applying hysteresis in this manner is improved accuracy, stability, and reduced component count. An external bypass capacitor is not required on the HYS pin because it would likely degrade the jitter performance of the device.

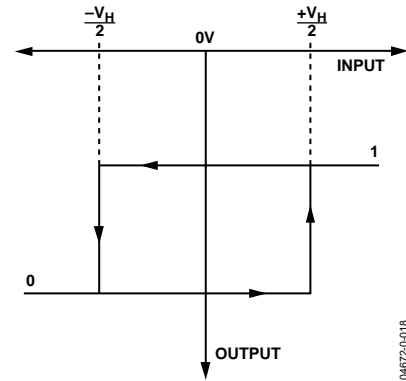


Figure 18. Comparator Hysteresis Transfer Function of the ADCMP580/ADCMP581

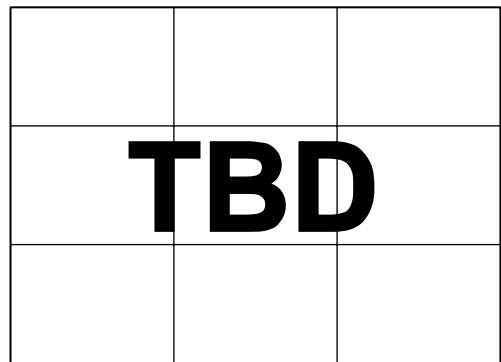


Figure 19. Comparator Hysteresis vs.  $R_{HYS}$  Control Resistor

### MINIMUM INPUT SLEW RATE REQUIREMENT

As with all high speed comparators, a minimum slew rate must be met to ensure that the device does not oscillate when the input signal crosses the threshold. This oscillation is due in part to the high input bandwidth of the comparator and the feedback parasitics inherent in the package. Analog Devices recommends a minimum slew rate of 50 V/ $\mu$ s to ensure a clean output transition from the ADCMP58x family of comparators unless hysteresis is programmed as discussed previously.

TYPICAL APPLICATION CIRCUITS

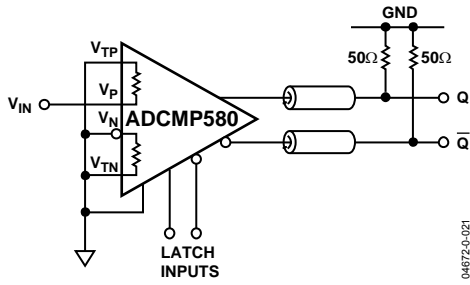


Figure 20. Zero-Crossing Detector with CML Outputs

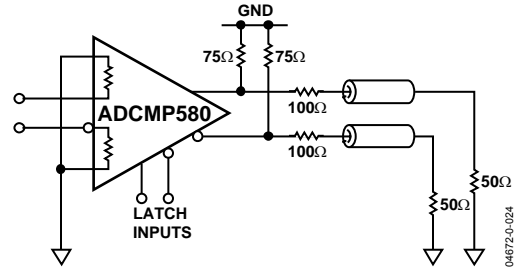


Figure 21. Interfacing CML to a 50Ω Ground-Terminated Instrument

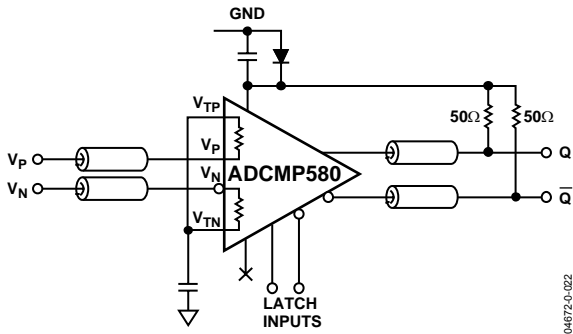


Figure 22. LVDS to a 50Ω Back-Terminated (RS)ECL Receiver

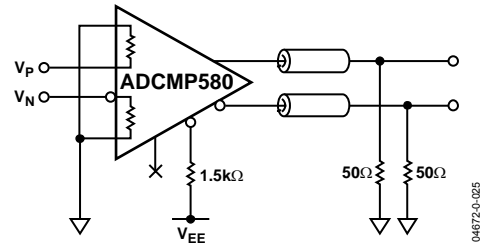


Figure 23. Disabling the Latch Feature

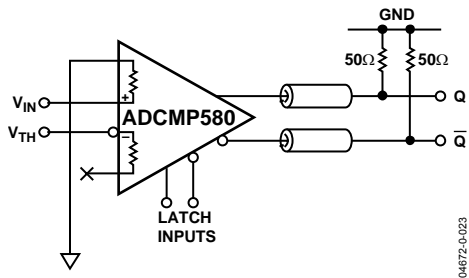


Figure 24. Comparator with -2V to +3V Input Range

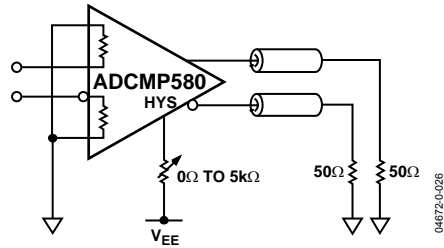


Figure 25. Adding Hysteresis Using the HYS Control

## TIMING INFORMATION

Figure 26 shows the ADCMP580/ADCMP581/ADCMP582 compare and latch timing relationships. Table 4 provides a definition of the terms shown in the figure.

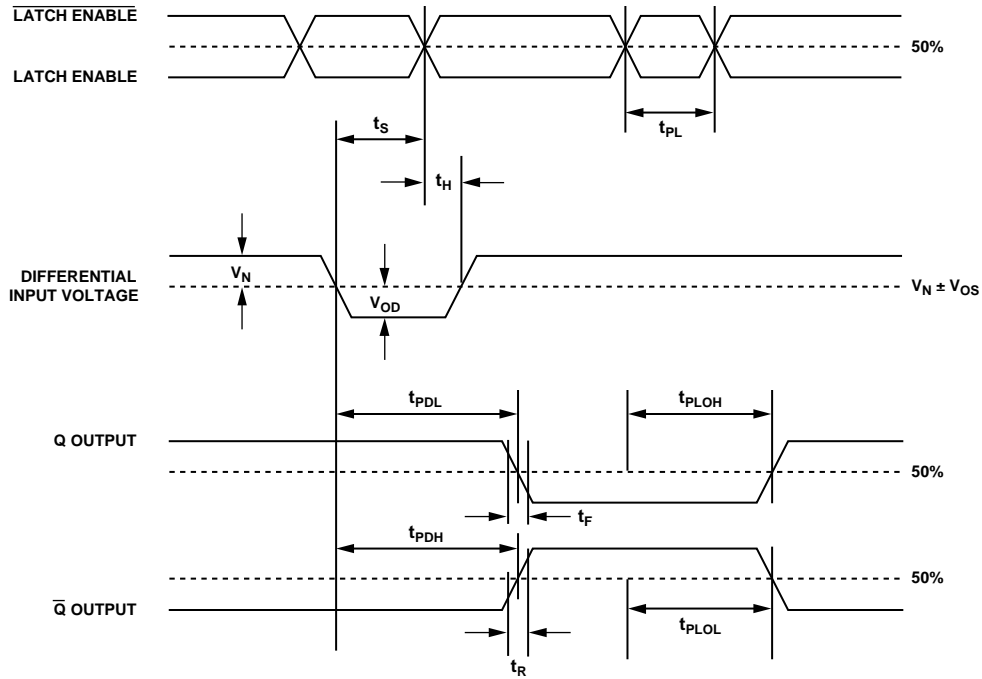


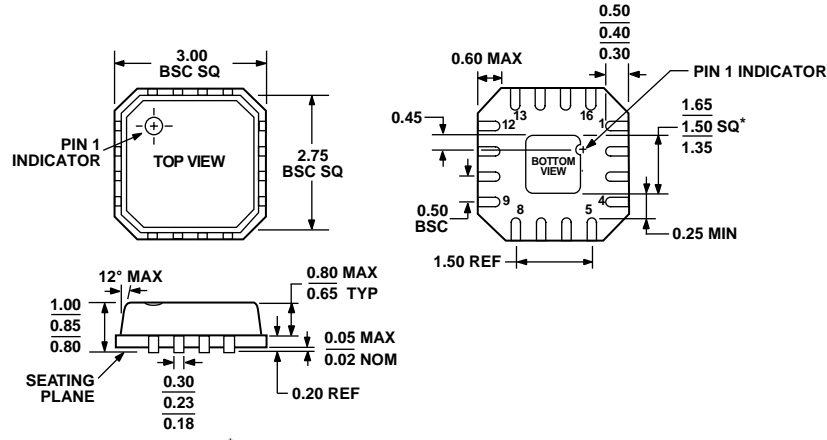
Figure 26. Comparator Timing Diagram

046720-027

Table 4. Timing Descriptions

Symbol	Timing	Description
$t_{PDH}$	Input to output high delay	Propagation delay measured from the time the input signal crosses the reference ( $\pm$ the input offset voltage) to the 50% point of an output low-to-high transition.
$t_{PDL}$	Input to output low delay	Propagation delay measured from the time the input signal crosses the reference ( $\pm$ the input offset voltage) to the 50% point of an output high-to-low transition.
$t_{PLOH}$	Latch enable to output high delay	Propagation delay measured from the 50% point of the Latch Enable signal low-to-high transition to the 50% point of an output low-to-high transition.
$t_{PLOL}$	Latch enable to output low delay	Propagation delay measured from the 50% point of the Latch Enable signal low-to-high transition to the 50% point of an output high-to-low transition.
$t_H$	Minimum hold time	Minimum time after the negative transition of the Latch Enable signal that the input signal must remain unchanged to be acquired and held at the outputs.
$t_{PL}$	Minimum latch enable pulse width	Minimum time that the Latch Enable signal must be high to acquire an input signal change.
$t_S$	Minimum setup time	Minimum time before the negative transition of the Latch Enable signal that an input signal change must be present to be acquired and held at the outputs.
$t_R$	Output rise time	Amount of time required to transition from a low to a high output as measured at the 20% and 80% points.
$t_F$	Output fall time	Amount of time required to transition from a high to a low output as measured at the 20% and 80% points.
$V_{OD}$	Voltage overdrive	Difference between the input voltages $V_P$ and $V_N$ .

### OUTLINE DIMENSIONS



\* COMPLIANT TO JEDEC STANDARDS MO-220-VEED-2 EXCEPT FOR EXPOSED PAD DIMENSION

Figure 27. 16-Lead Lead Frame Chip Scale Package [LFCSF] (CP-16)  
Dimensions shown in millimeters

### ORDERING GUIDE

Model	Temperature Range	Package Description	Package Option
ADCMP580BCP	-40°C to +85°C	LFCSF-16	CP-16
ADCMP581BCP	-40°C to +85°C	LFCSF-16	CP-16
ADCMP582BCP	-40°C to +85°C	LFCSF-16	CP-16

**NOTES**

**NOTES**



This datasheet has been download from:

[www.datasheetcatalog.com](http://www.datasheetcatalog.com)

Datasheets for electronics components.