

Four-Channel Supervisory IC

Features

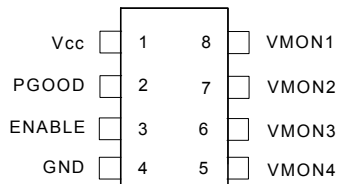
- 2.6V to 5.5V Input Voltage Range
- Low Quiescent Current : less than 50 μ A
- High Accuracy Detection Threshold : \pm 1.6%
- Adjustable Undervoltage Lockout for Each Supply
- Active high PGOOD Output
- Guaranteed PGOOD Valid to Falling $V_{CC} < 1V$
- VMON Glitch Immunity : 30 μ s
- Lead Free Available (RoHS Compliant)

Applications

- Graphics Cards
- Portable Battery-Powered Equipment
- μ P Voltage Monitoring
- Set-Top Boxes
- Notebook Computer
- Multiple Supply System

Pinouts

SOP-8 Top View



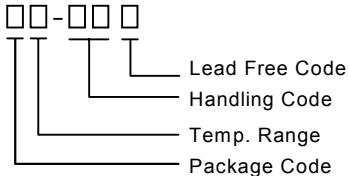

APL6536

General Description

The APL6536 is a four channel supervisory IC designed to monitor voltage supplies in μ P and digital system. This IC can supervise any positive voltage using an external resistor divider to translate to a lower voltage for comparison to the internal 0.633V reference. Once any VMON input falls below 0.633V the PGOOD output is pulled low, the hysteresis of the internal reference is 15mV. The PGOOD pin has an internal 20k Ω pull-up to V_{CC} making an external pull-up resistor unnecessary. Each rail's VMON point is independently adjustable with a resistor divider. The PGOOD output is guaranteed to be valid with IC bias lower than 1V. This IC is designed to reject fast line transient glitches 30 μ s on VMON input. The PGOOD output is an open-drain to allow ORing of multiple signals. If less than four voltages are being monitored, connect the unused VMON pins to V_{CC} . The ENABLE input pin provides for a reset of the PGOOD output when it is pulled down below 0.5V. With an internal 10 μ A pull-up to V_{CC} , it can be signaled with common logic or pulled to ground with a push button switch. APL6536 come in a miniature SOP-8 package.

ANPEC reserves the right to make changes to improve reliability or manufacturability without notice, and advise customers to obtain the latest version of relevant information to verify before placing orders.

Ordering and Marking Information

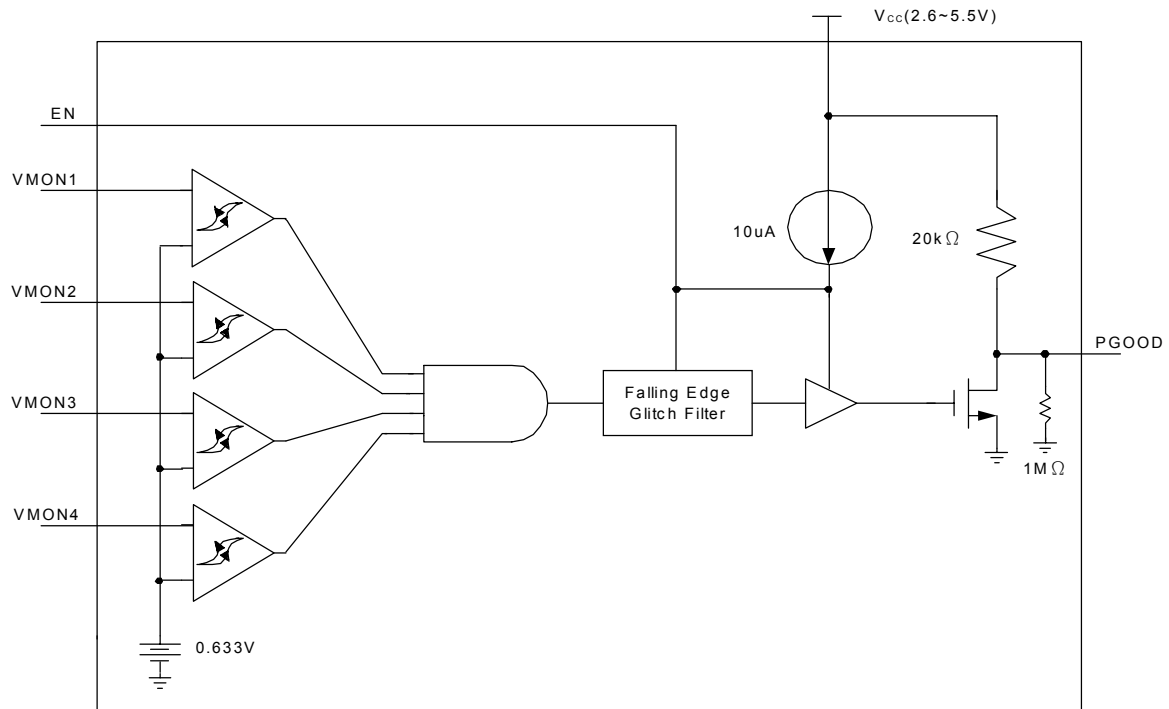
<p>APL6536</p>  <p>Lead Free Code Handling Code Temp. Range Package Code</p>	<p>Package Code K : SOP-8 Temp. Range I : -40 to 85 °C Handling Code TU : Tube TR : Tape & Reel Lead Free Code L : Lead Free Device Blank : Original Device</p>
<p>APL6536 :</p> 	<p>XXXXX - Date Code</p>

Notes : ANPEC lead-free products contain molding compounds/die attach materials and 100% matte in plate termination finish; which are fully compliant with RoHS and compatible with both SnPb and lead-free soldering operations. ANPEC lead-free products meet or exceed the lead-free requirements of IPC/JEDEC J STD-020C for MSL classification at lead-free peak reflow temperature.

Pin Function Description

PIN		I/O	Description
No.	Name		
1	V _{CC}		Supply Voltage (2.6V to 5V)
2	PGOOD	O	PGOOD is the AND function of all the VMON inputs being satisfied. This is an open drain output and can be pulled high to the appropriate level with an external resistor. Additionally a 20kΩ pull up to V _{CC} is provided internally.
3	ENABLE	I	Enabling input for supervisory function. Has a 10μA pull-up to V _{CC} .
4	GND		Ground Connection
5-8	VMON1 VMON2 VMON3 VMON4	I	These inputs provide for a programmable monitored voltage threshold referenced to an internal 0.633V reference. These inputs have a 30μs glitch filter to prevent transient upsets from being recognized by PGOOD.

Block Diagram



Absolute Maximum Ratings

Symbol	Parameter	Rating	Unit
V _{CC}	Input Voltage	7	V
VMON1-4, EN	All Input Pins	-0.3V to V _{CC} +0.3V	V
PGOOD	Output Pin	-0.3V to V _{CC} +0.3V	V
T _J	Maximum Junction Temperature	150	°C
T _{STG}	Storage Temperature	-65 to +150	°C
T _S	Soldering Temperature (10 seconds)	260	°C
ESD	Electrostatic Discharge	-3000 to 3000* ¹	V

Note: 1. Human body model: C=100pF, R=1500Ω, 3 positives pulse plus 3 negative pulses.

Electrical Characteristics

Unless Otherwise noted these specifications apply over full temperature, $V_{CC} = 3.3V$, $T_J = -40^{\circ}C$ to $85^{\circ}C$
 Typical values refer to $T_J = 25^{\circ}C$

Symbol	Parameter	Test condition	APL6536			Unit
			Min.	Typ.	Max.	
BIAS						
I _{CC}	Supply Current (EN enable)	V _{MON} > V _{MON_L2H}		40	400	μA
		V _{MON} < V _{MON_H2L}		230	2000	μA
I _{CC}	Supply Current (EN disable)	V _{MON} > V _{MON_L2H}		50	500	μA
		V _{MON} < V _{MON_H2L}		50	500	μA
V _{CC_L2H}	V _{CC} Power On	V _{CC} low to high		2.6		V
V _{CC_POR}	V _{CC} Power On Reset	V _{CC} high to low		2.4		V
PGOOD						
PG _{pd}	Pull-Down Current	V _{PGOOD} =0.5V		10		mA
PG _{pu}	Pull-Up Resistance			20		KΩ
V _{PGI}	Output Low	V _{CC} = 1V		0	100	mV
TPG del VMON	Delay From VMON Rising	Last valid input =V _{th} to PG release		3		μs
TPG del ENR	Delay From EN Rising	EN high to PG release		2		μs
TPG del ENF	Delay From EN Falling	EN low to PG pulling low		10		ns
ENABLE						
V _{EN}	Rising Threshold Voltage	Enable low to high threshold	1.30	1.65	2	V
V _{EN_HYS}	Threshold Hysteresis Voltage			80		mV
I _{ENpu}	Pull-up current	V _{EN} = 0.5V		10		μA
VMON Input						
V _{MON_H2L}	Falling Threshold Voltage	T _J =25°C	0.623	0.633	0.643	V
V _{MON_TC}	Falling Threshold Temperature Coeff.	T _J =-40°C to 85°C		100		μV/°C
V _{VMON_HYS}	Hysteresis Voltage			15		mV
V _{VMON_RNG}	Range			10		mV
T _{FIL}	Glitch Filter Duration	VMON glitch to PGOOD low filter		30		μs

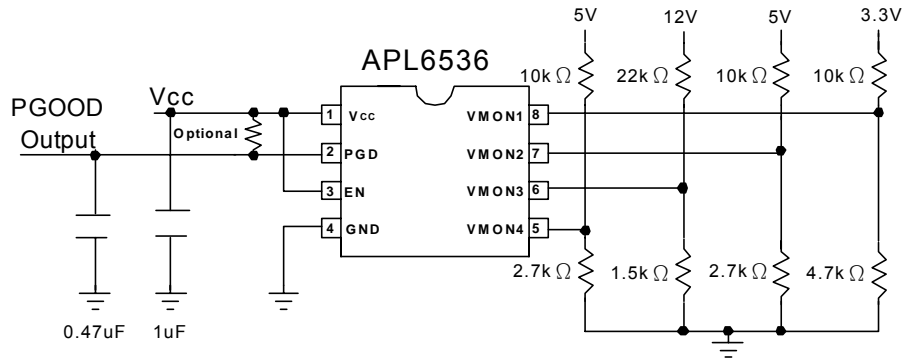
Electrical Characteristics

Unless Otherwise noted these specifications apply over full temperature, $V_{CC} = 5V$, $T_J = -40^\circ C$ to $85^\circ C$

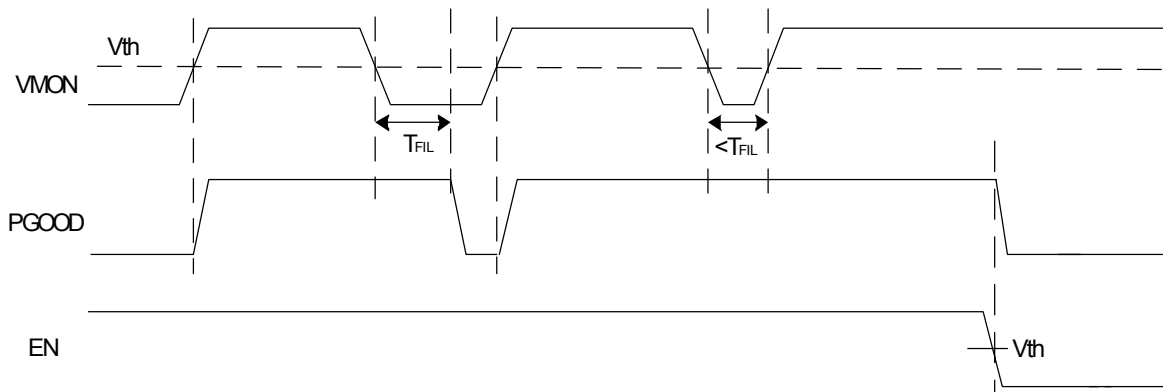
Typical values refer to $T_J = 25^\circ C$

Symbol	Parameter	Test condition	APL6536			Unit
			Min.	Typ.	Max.	
BIAS						
I_{CC}	Supply Current (EN Enable)	$V_{MON} > V_{MON_L2H}$		50	500	μA
		$V_{MON} < V_{MON_H2L}$		230	2000	μA
I_{CC}	Supply Current (EN Disable)	$V_{MON} > V_{MON_L2H}$		60	600	μA
		$V_{MON} < V_{MON_H2L}$		60	600	μA
V_{CC_L2H}	V_{CC} Power On	V_{CC} low to high		2.6		V
V_{CC_POR}	V_{CC} Power On Reset	V_{CC} high to low		2.4		V
PGOOD						
PGpd	Pull-Down Current	$V_{PGOOD} = 0.5V$		10		mA
PGpu	Pull-Up Resistance			20		K Ω
VPGI	Output Low	$V_{CC} = 1V$		0	100	mV
TPG del VMON	Delay From VMON Rising	Last valid input = V_{th} to PG release		5		μs
TPG del ENR	Delay From EN Rising	EN high to PG release		2		μs
TPG del ENF	Delay From EN Falling	EN low to PG pulling low		10		ns
ENABLE						
V_{EN}	Rising Threshold Voltage	Enable low to high threshold	2	2.5	3	V
V_{EN_HYS}	Threshold Hysteresis Voltage			80		mV
I_{ENpu}	Pull-Up Current	$V_{EN} = 0.5V$		10		μA
VMON Input						
V_{MON_H2L}	Falling Threshold Voltage	$T_J = 25^\circ C$	0.623	0.633	0.643	V
V_{MON_TC}	Falling Threshold Temperature Coeff.	$T_J = -40^\circ C$ to $85^\circ C$		100		$\mu V/^\circ C$
V_{VMON_HYS}	Hysteresis Voltage			15		mV
V_{VMON_RNG}	Range			10		mV
T_{FIL}	Glitch Filter Duration	VMON glitch to PGOOD low filter		30		μs

Application Circuit

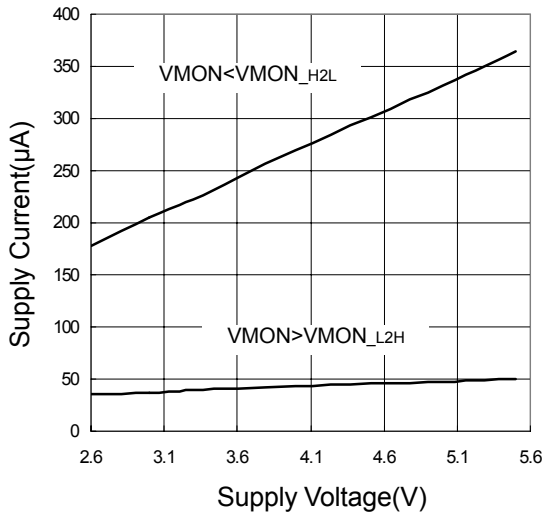


Timing Diagram

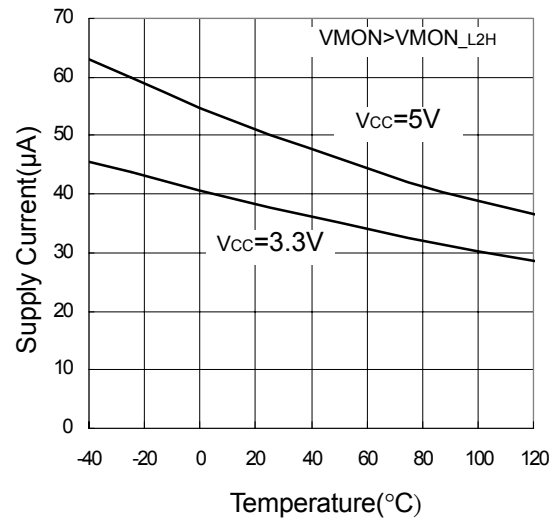


Typical Characteristics

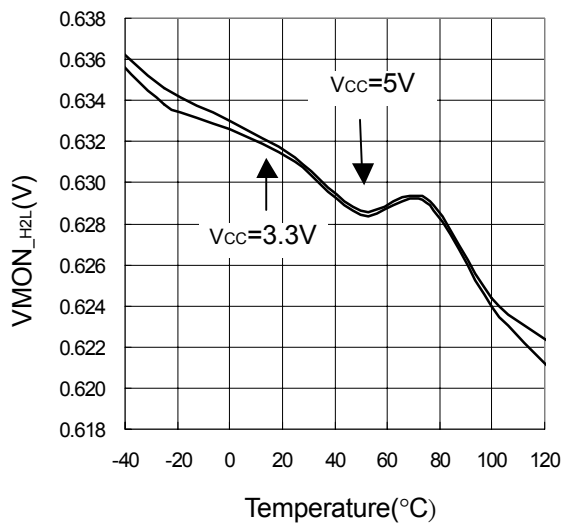
Supply Current vs. Supply Voltage



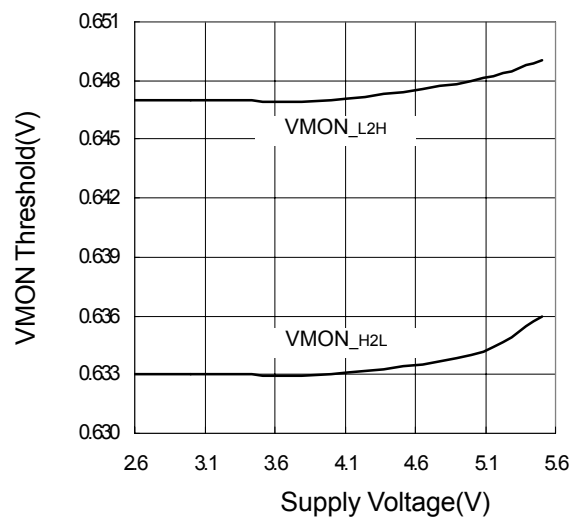
Supply Current vs. Temperature



VMON_H2L vs. Temperature

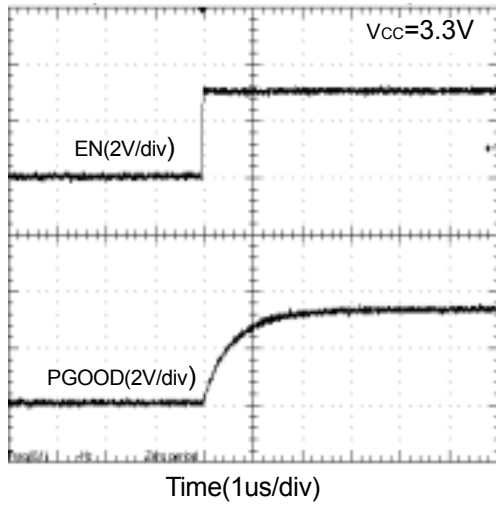


VMON Threshold vs. Supply Voltage

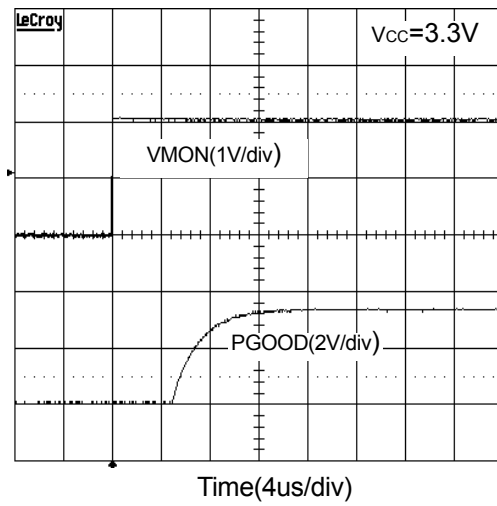


Typical Characteristics (Cont.)

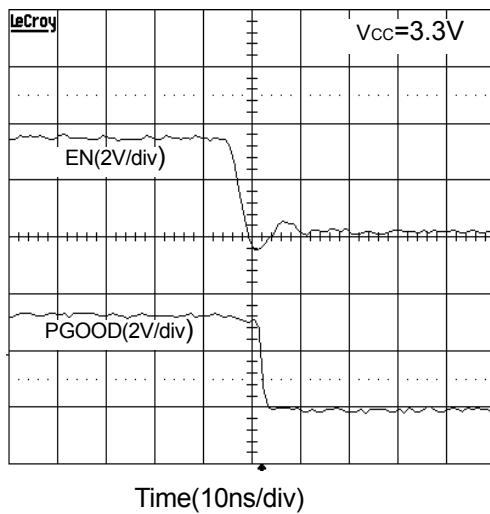
EN High to PGOOD



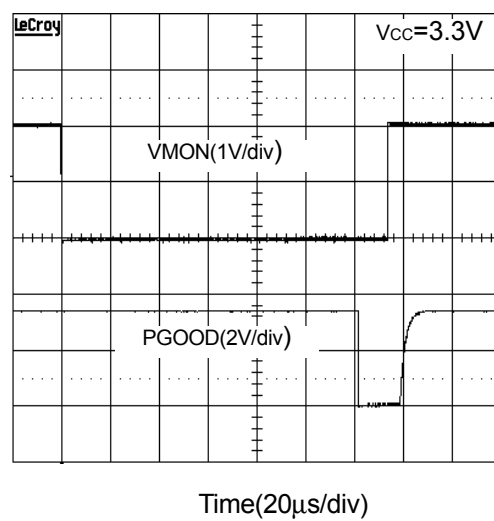
VMON High to PGOOD



EN Low to PGOOD



VMON Low to PGOOD



Application Information

PGOOD

The APL6536 is a four channel supervisory IC designed to monitor multiple voltages greater than 0.7V. This IC is suitable for both microprocessors or industrial system applications. Once biased to 2.6V and enabled the IC continuously monitors from one to four voltages independently through external resistor dividers comparing each VMON pin voltage to an internal 0.633V reference. The PGOOD output is an open-drain to allow ORing of the signals and interfacing to a wide range of logic levels. If less than four voltages are being monitored, connect the unused VMON pins to V_{CC} . The PGOOD pin has an internal 20k Ω pull-up to V_{CC} making an external pull-up resistor unnecessary.

Falling Edge Glitch Filter

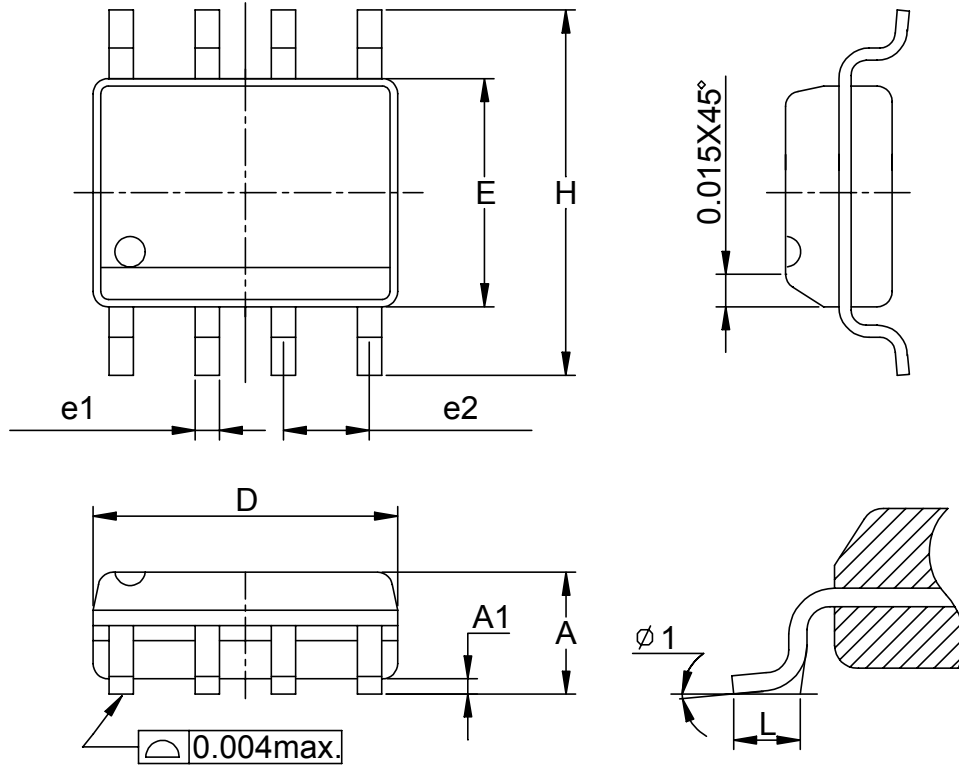
Once any VMON input falls below 0.633V the PGOOD output is pulled low, the VMON inputs are designed to reject fast transients (30us).

Enable

The APL6536 has an active high enable function. Force EN high ($\geq 0.5V_{CC}$) enables the PGOOD, EN low ($\leq 0.5V$) disables the PGOOD and enter the shutdown mode and it also causes the PGOOD to discharge through a 1M Ω resistance to ground. In shutdown mode, the quiescent current can reduce below 60uA. With an internal 10uA pull-up to V_{CC} , it can be signaled with common logic or pulled to ground with a push button switch.

Package Information

SOP-8 pin (Reference JEDEC Registration MS-012)

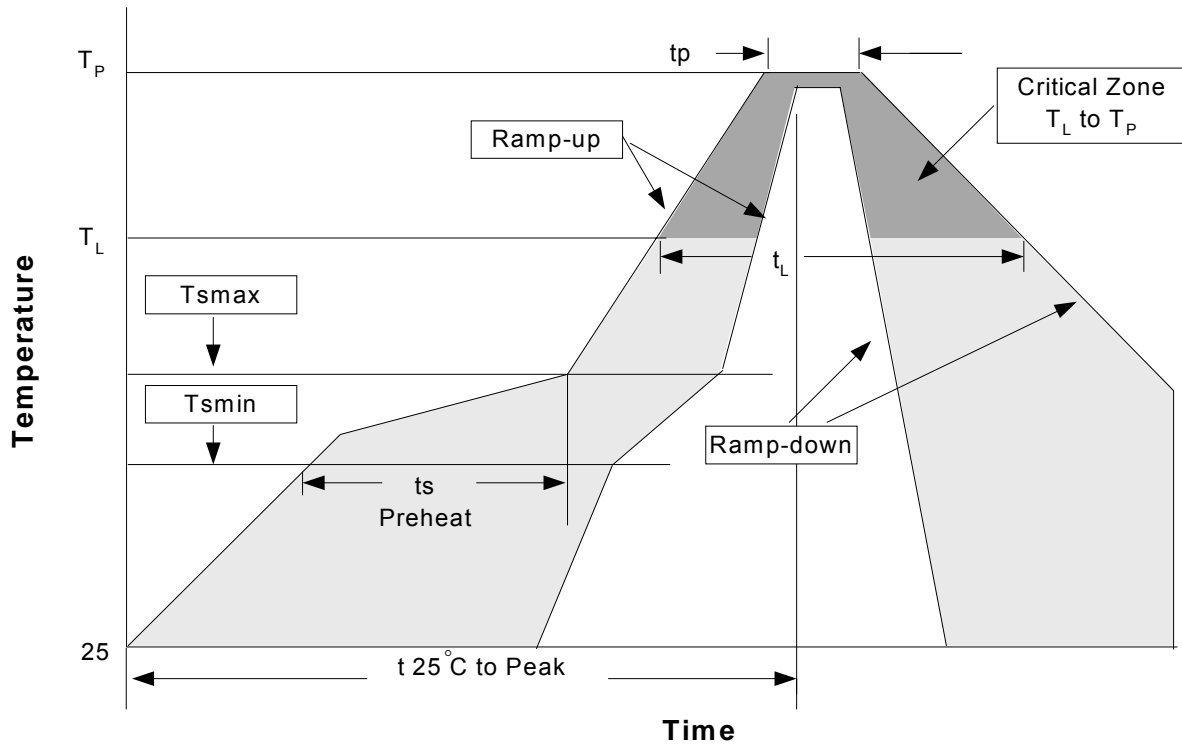


Dim	Millimeters		Inches	
	Min.	Max.	Min.	Max.
A	1.35	1.75	0.053	0.069
A1	0.10	0.25	0.004	0.010
D	4.80	5.00	0.189	0.197
E	3.80	4.00	0.150	0.157
H	5.80	6.20	0.228	0.244
L	0.40	1.27	0.016	0.050
e1	0.33	0.51	0.013	0.020
e2	1.27BSC		0.50BSC	
φ 1	8°		8°	

Physical Specifications

Terminal Material	Solder-Plated Copper (Solder Material : 90/10 or 63/37 SnPb), 100%Sn
Lead Solderability	Meets EIA Specification RSI86-91, ANSI/J-STD-002 Category 3.

Reflow Condition (IR/Convection or VPR Reflow)



Classification Reflow Profiles

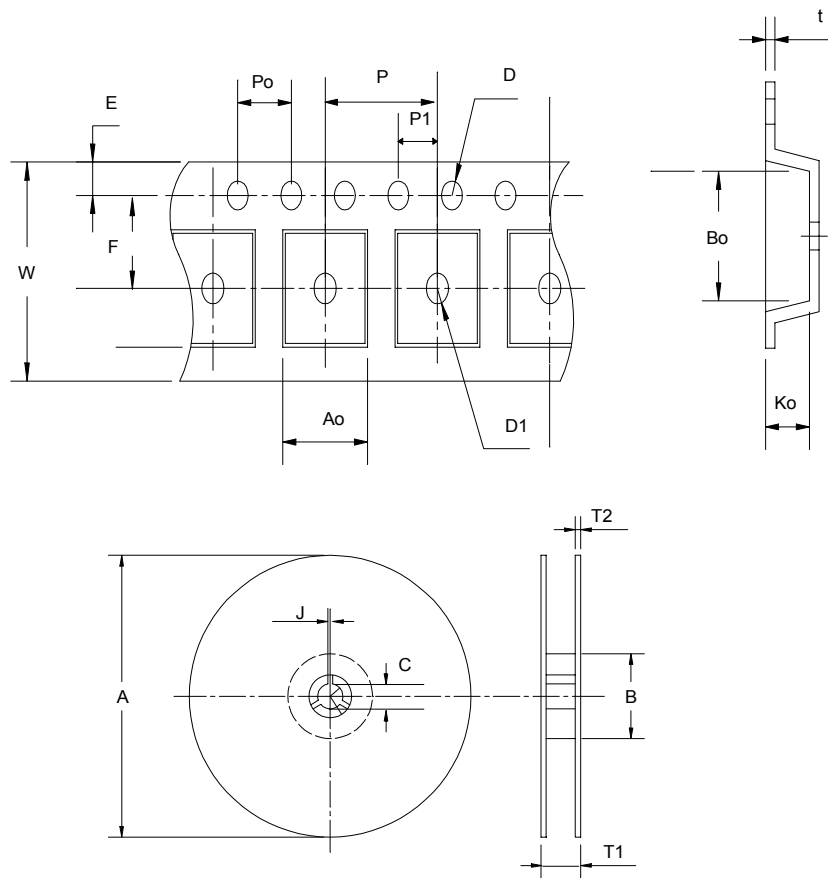
Profile Feature	Sn-Pb Eutectic Assembly		Pb-Free Assembly	
	Large Body	Small Body	Large Body	Small Body
Average ramp-up rate (T_L to T_P)	3°C/second max.		3°C/second max.	
Preheat				
- Temperature Min (T_{smin})	100°C		150°C	
- Temperature Mix (T_{smax})	150°C		200°C	
- Time (min to max)(t_s)	60-120 seconds		60-180 seconds	
T_{smax} to T_L			3°C/second max	
- Ramp-up Rate				
T_{smax} to T_L				
- Temperature(T_L)	183°C		217°C	
- Time (t_L)	60-150 seconds		60-150 seconds	
Peak Temperature(T_p)	225 +0/-5°C	240 +0/-5°C	245 +0/-5°C	250 +0/-5°C
Time within 5°C of actual Peak Temperature(t_p)	10-30 seconds	10-30 seconds	10-30 seconds	20-40 seconds
Ramp-down Rate	6°C/second max.		6°C/second max.	
Time 25°C to Peak Temperature	6 minutes max.		8 minutes max.	

Note: All temperatures refer to topside of the package. Measured on the body surface.

Reliability test program

Test item	Method	Description
SOLDERABILITY	MIL-STD-883D-2003	245°C , 5 SEC
HOLT	MIL-STD-883D-1005.7	1000 Hrs Bias @ 125 °C
PCT	JESD-22-B, A102	168 Hrs, 100 % RH , 121°C
TST	MIL-STD-883D-1011.9	-65°C ~ 150°C, 200 Cycles
ESD	MIL-STD-883D-3015.7	VHBM > 2KV, VMM > 200V
Latch-Up	JESD 78	10ms , $I_{tr} > 100mA$

Carrier Tape



Reel Dimensions

Application	A	B	C	J	T1	T2	W	P	E
SOP- 8	330 ± 1	62 +1.5	12.75 ⁺ 0.15	2 ± 0.5	12.4 ± 0.2	2 ± 0.2	12 ± 0.3	8 ± 0.1	1.75 ± 0.1
	F	D	D1	Po	P1	Ao	Bo	Ko	t
	5.5 ± 1	1.55 +0.1	1.55 + 0.25	4.0 ± 0.1	2.0 ± 0.1	6.4 ± 0.1	5.2 ± 0.1	2.1 ± 0.1	0.3 ± 0.013

(mm)

Cover Tape Dimensions

Application	Carrier Width	Cover Tape Width	Devices Per Reel
SOP- 8	12	9.3	2500

Customer Service

Anpec Electronics Corp.

Head Office :

5F, No. 2 Li-Hsin Road, SBIP,

Hsin-Chu, Taiwan, R.O.C.

Tel : 886-3-5642000

Fax : 886-3-5642050

Taipei Branch :

7F, No. 137, Lane 235, Pac Chiao Rd.,

Hsin Tien City, Taipei Hsien, Taiwan, R. O. C.

Tel : 886-2-89191368

Fax : 886-2-89191369