

Dual OP Amp And Voltage Reference

General Description

The CP103 is a monolithic IC specifically designed to regulate the output current and voltage levels of switching battery chargers and power supplies.

The device contains two Op Amps and a 2.5V precision shunt voltage reference. Op Amp 1 is designed for voltage control with its non-inverting input internally connects to the output of the shunt regulator. Op Amp 2 is for current control with both inputs uncommitted. The IC offers the power converter designer a control solution that features increased precision with a corresponding reduction in system complexity and cost.

The CP103 is available in standard packages of DIP-8 and SOP-8.

Features

Op Amp

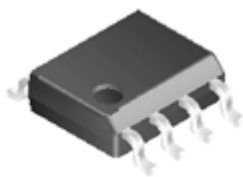
- Input Offset Voltage: 0.5mV
- Supply Current: 75 μ A per Op Amp at 5.0V Supply Voltage
- Unity Gain Bandwidth: 1MHz
- Output Voltage Swing: 0 to ($V_{CC} - 1.5$) V
- Power Supply Range: 3 to 36V

Voltage Reference

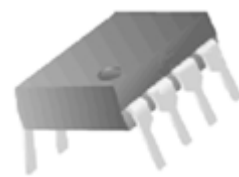
- Fixed Output Voltage Reference: 2.5V
- Voltage Tolerance: $\pm 0.5\%$, $\pm 1\%$
- Sink Current Capability from 0.05 to 80mA
- Typical Output Impedance: 0.2 Ω

Applications

- Battery Charger
- Switching Power Supply



SOP-8



DIP-8

Figure 1. Package Types of CP103

* All specs and applications shown above subject to change without prior notice.

Dual OP Amp And Voltage Reference

Pin Configuration

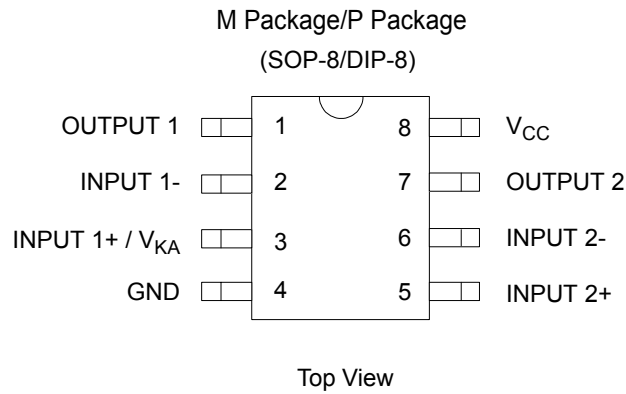


Figure 2. Pin Configuration of CP103

Functional Block Diagram

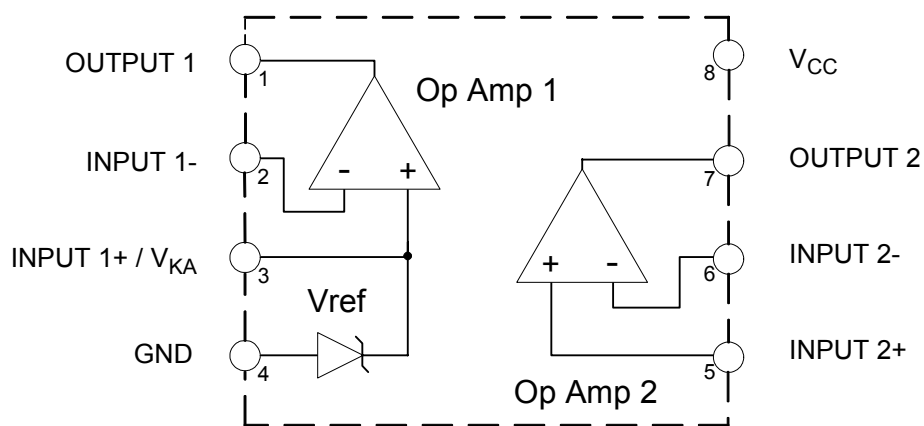


Figure 3. Functional Block Diagram of CP103

* All specs and applications shown above subject to change without prior notice.

Dual OP Amp And Voltage Reference

Ordering Information

CP103 X X

- Blank: SOP-8, Tube
- A: SOP-8, Taping
- N: DIP-8, Tube

- Blank: $V_{REF} \pm 1\%$
- G: $V_{REF} \pm 0.5\%$

Absolute Maximum Ratings (Note 1)

Parameter	Symbol	Value	Unit	
Power Supply Voltage (V_{CC} to GND)	V_{CC}	40	V	
Op Amp 1 and 2 Input Voltage Range (Pins 2, 5, 6)	V_{IN}	- 0.3 to $V_{CC} + 0.3$	V	
Op Amp 2 Input Differential Voltage (Pins 5, 6)	V_{ID}	40	V	
Voltage Reference Cathode Current (Pin 3)	I_K	30	mA	
Power Dissipation	P_D	DIP-8	800	mW
		SOP-8	500	
Storage Temperature Range	T_{STG}	-65 to 150	°C	
ESD Protection Voltage (Human Body Model)		≥ 2000	V	

Note 1: Stresses greater than those listed under "Absolute Maximum Ratings " may cause permanent damage to the device. These are stress ratings only, and functional operation of the device at these or any other conditions beyond those indicated under "Recommended Operating Conditions" is not implied. Exposure to "Absolute Maximum Ratings " for extended periods may affect device reliability.

Recommended Operating Conditions

Parameter	Min	Max	Unit
Supply Voltage	3	36	V
Ambient Temperature	-40	105	°C

* All specs and applications shown above subject to change without prior notice.

Dual OP Amp And Voltage Reference

Electrical Characteristics

Operating Conditions: $V_{CC} = +5V$, $T_A = 25^\circ C$ unless otherwise specified.

Parameter		Conditions	Min	Typ	Max	Unit	
Total Supply Current, excluding Current in Voltage Reference		$V_{CC} = 5V$, no load, $-40^\circ C \leq T_A \leq 105^\circ C$		0.15	0.25	mA	
		$V_{CC} = 30V$, no load, $-40^\circ C \leq T_A \leq 105^\circ C$		0.20	0.30		
Voltage Reference Section							
Reference Voltage	CP103G	$I_K = 10mA$	$T_A = 25^\circ C$	2.49	2.50	2.51	V
			$-40^\circ C \leq T_A \leq 105^\circ C$	2.48	2.50	2.52	
	CP103	$I_K = 10mA$	$T_A = 25^\circ C$	2.475	2.50	2.525	V
			$-40^\circ C \leq T_A \leq 105^\circ C$	2.45	2.50	2.55	
Reference Voltage Deviation Over Full Temperature Range		$I_K = 10mA$, $T_A = -40$ to $105^\circ C$		5	24	mV	
Minimum Cathode Current for Regulation				0.5	1	mA	
Dynamic Impedance		$I_K = 1.0$ to $80mA$, $f < 1kHz$		0.2	0.5	Ω	
Op Amp 1 Section ($V_{CC} = 5V$, $V_O = 1.4V$, $T_A = 25^\circ C$, unless otherwise noted)							
Input Offset Voltage		$T_A = 25^\circ C$		0.5	3	mV	
		$T_A = -40$ to $105^\circ C$			5		
Input Offset Voltage Temperature Drift		$T_A = -40$ to $105^\circ C$			7	$\mu V/^\circ C$	
Input Bias Current (Inverting Input Only)		$T_A = 25^\circ C$		20	150	nA	
Large Signal Voltage Gain		$V_{CC} = 15V$, $R_L = 2k\Omega$, $V_O = 1.4$ to $11.4V$	85	100		dB	
Power Supply Rejection Ratio		$V_{CC} = 5$ to $30V$	70	90		dB	
Output Current	Source	$V_{CC} = 15V$, $V_{ID} = 1V$, $V_O = 2V$	20	40		mA	
	Sink	$V_{CC} = 15V$, $V_{ID} = -1V$, $V_O = 2V$	7	20		mA	
Output Voltage Swing (High)		$V_{CC} = 30V$, $R_L = 10k\Omega$, $V_{ID} = 1V$	27	28		V	
Output Voltage Swing (Low)		$V_{CC} = 30V$, $R_L = 10k\Omega$, $V_{ID} = -1V$		17	100	mV	
Slew Rate		$V_{CC} = 18V$, $R_L = 2k\Omega$, $A_V = 1$, $V_{IN} = 0.5$ to $2V$, $C_L = 100pF$	0.2	0.5		$V/\mu s$	
Unity Gain Bandwidth		$V_{CC} = 30V$, $R_L = 2k\Omega$, $C_L = 100pF$	0.7	1.0		MHz	

* All specs and applications shown above subject to change without prior notice.

Dual OP Amp And Voltage Reference

Electrical Characteristics (Continued)

Operating Conditions: $V_{CC} = +5V$, $T_A = 25^\circ C$ unless otherwise specified.

Parameter	Conditions	Min	Typ	Max	Unit
Op Amp 2 Section ($V_{CC} = 5V$, $V_O = 1.4V$, $T_A = 25^\circ C$, unless otherwise noted)					
Input Offset Voltage	$T_A = 25^\circ C$		0.5	3	mV
	$T_A = -40$ to $105^\circ C$			5	
Input Offset Voltage Temperature Drift	$T_A = -40$ to $105^\circ C$			7	$\mu V/^\circ C$
Input Offset Current	$T_A = 25^\circ C$		2	30	nA
Input Bias Current	$T_A = 25^\circ C$		20	150	nA
Input Voltage Range	$V_{CC} = 0$ to $36V$	0		$V_{CC} - 1.5$	V
Common Mode Rejection Ratio	$T_A = 25^\circ C$, $V_{CM} = 0$ to $3.5V$	70	85		dB
Large Signal Voltage Gain	$V_{CC} = 15V$, $R_L = 2k\Omega$, $V_O = 1.4$ to $11.4V$	85	100		dB
Power Supply Rejection Ratio	$V_{CC} = 5$ to $30V$	70	90		dB
Output Current	Source $V_{CC} = 15V$, $V_{ID} = 1V$, $V_O = 2V$	20	40		mA
	Sink $V_{CC} = 15V$, $V_{ID} = -1V$, $V_O = 2V$	7	20		
Output Voltage Swing (High)	$V_{CC} = 30V$, $R_L = 10k\Omega$, $V_{ID} = 1V$	27	28		V
Output Voltage Swing (Low)	$V_{CC} = 30V$, $R_L = 10k\Omega$, $V_{ID} = -1V$		17	100	mV
Slew Rate	$V_{CC} = 18V$, $R_L = 2k\Omega$, $A_V = 1$, $V_{IN} = 0.5$ to $2V$, $C_L = 100pF$	0.2	0.5		$V/\mu s$
Unity Gain Bandwidth	$V_{CC} = 30V$, $R_L = 2k\Omega$, $C_L = 100pF$	0.7	1.0		MHz

* All specs and applications shown above subject to change without prior notice.

Dual OP Amp And Voltage Reference

Typical Performance Characteristics

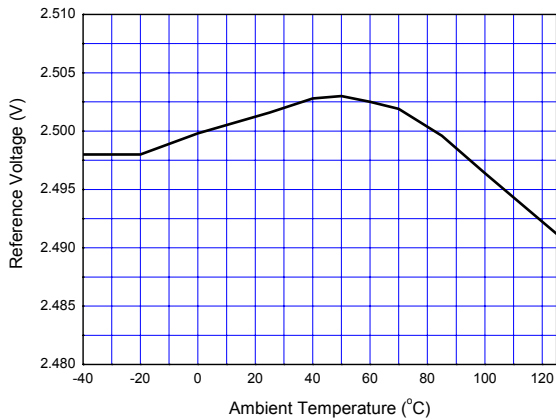


Figure 4. Reference Voltage vs. Ambient Temperature

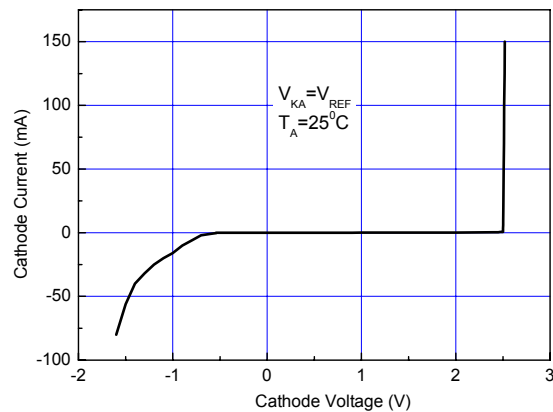


Figure 5. Cathode Current vs. Cathode Voltage

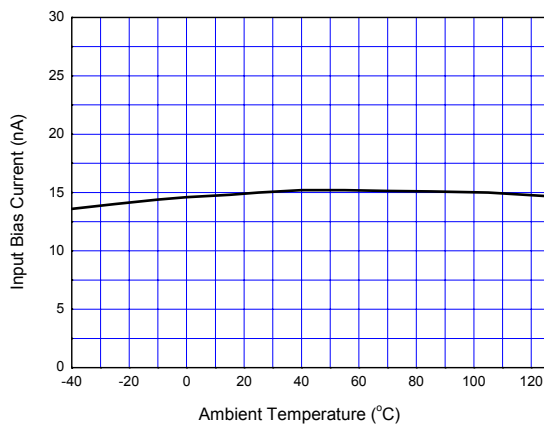


Figure 6. Input Bias Current vs. Ambient Temperature

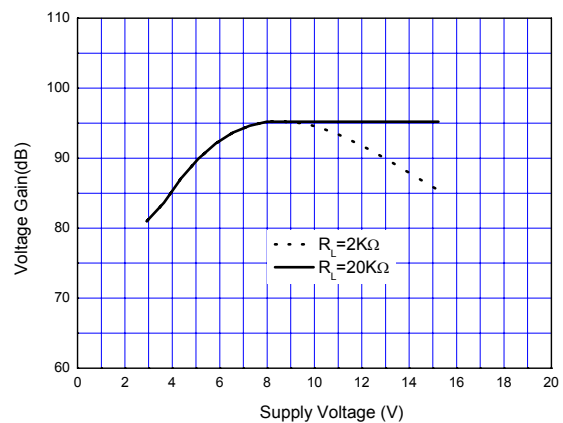


Figure 7. Op Amp Voltage Gain

* All specs and applications shown above subject to change without prior notice.

Dual OP Amp And Voltage Reference

Typical Application

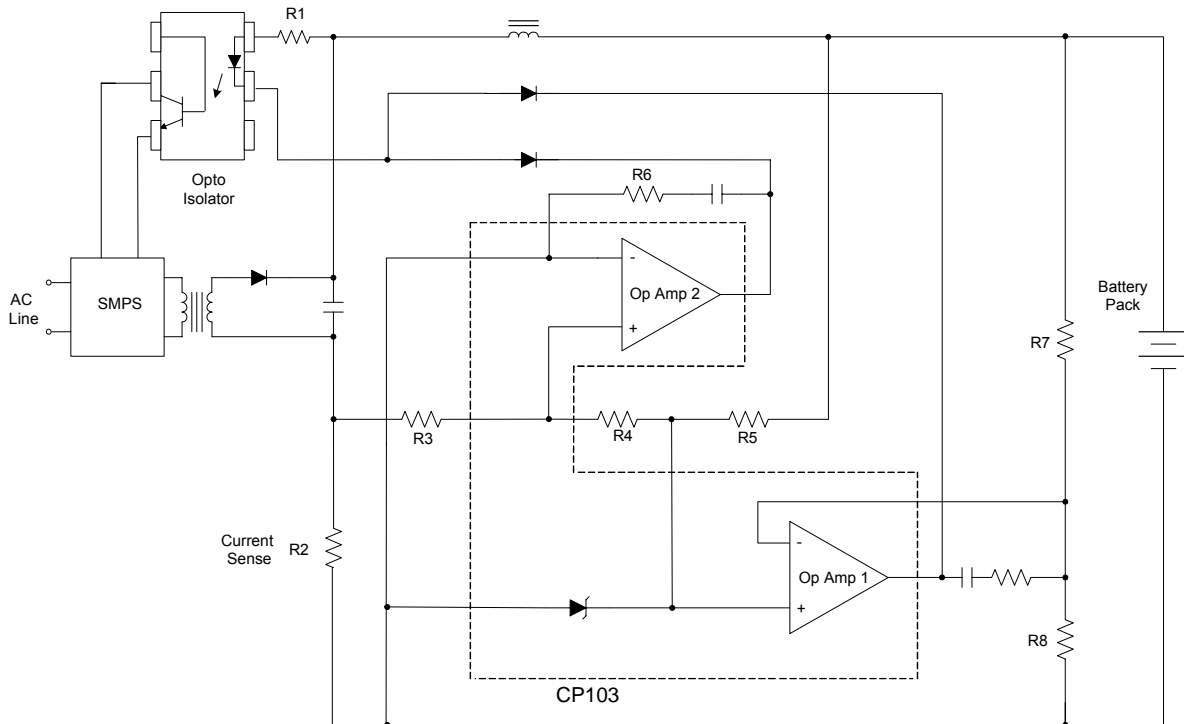


Figure 8. Application of CP103 in a Constant Current and Constant Voltage Charger

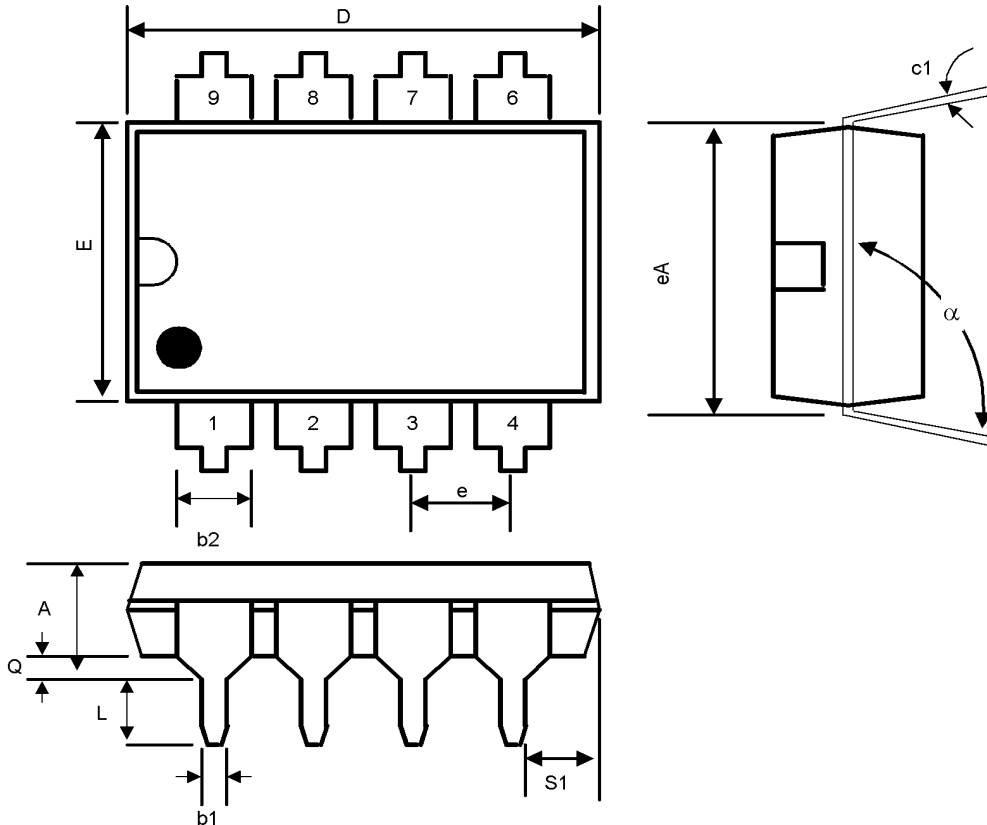
* All specs and applications shown above subject to change without prior notice.

Dual OP Amp And Voltage Reference

Mechanical Dimensions:

DIP-8

Unit: mm

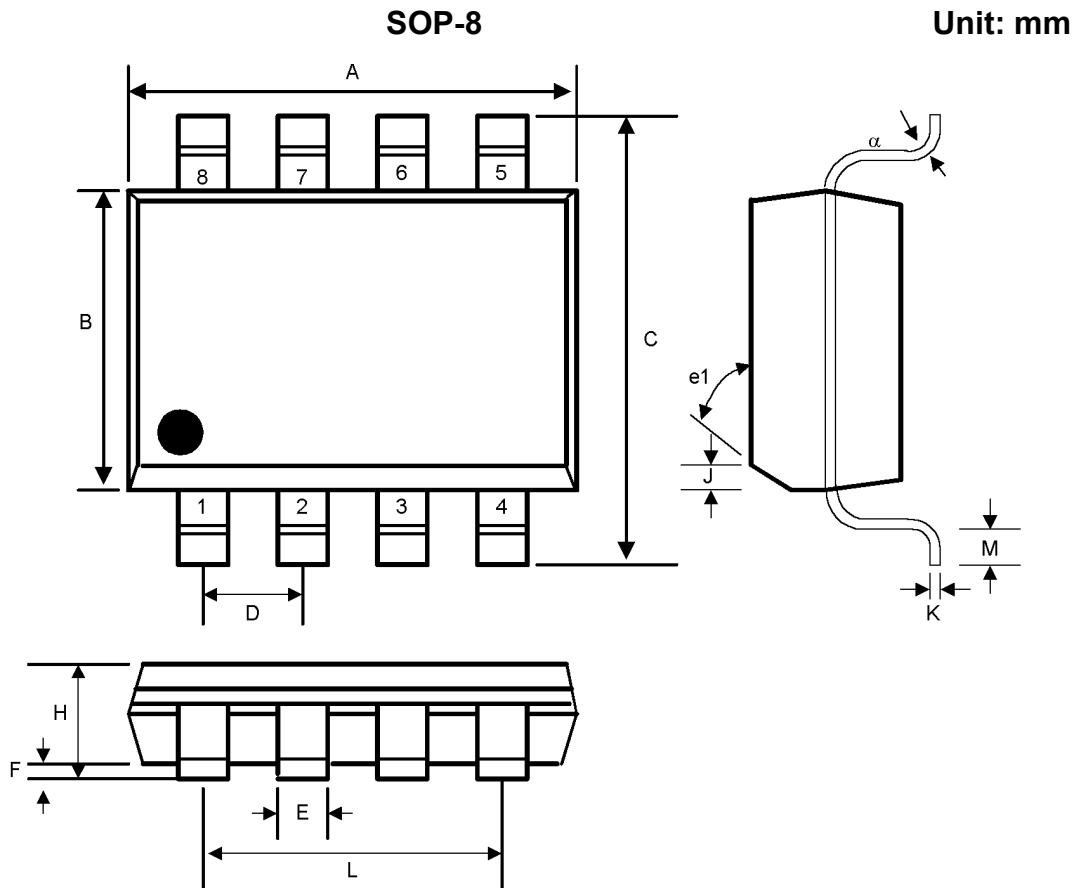


SYMBOL	INCHES		MILLIMETERS		NOTES
	MIN	MAX	MIN	MAX	
A	-	0.200	-	5.08	-
b1	0.014	0.023	0.36	0.58	-
b2	0.045	0.065	1.14	1.65	-
c1	0.008	0.015	0.20	0.38	-
D	0.355	0.400	9.02	10.16	-
E	0.220	0.310	5.59	7.87	-
e	0.100 BSC		2.54 BSC		-
eA	0.300 BSC		7.62 BSC		-
L	0.125	0.200	3.18	5.08	-
Q	0.015	0.060	0.38	1.52	-
s1	0.005	-	0.13	-	-
	90°	105°	90°	105°	-

* All specs and applications shown above subject to change without prior notice.

Dual OP Amp And Voltage Reference

Mechanical Dimensions (Continued):



SYMBOL	INCHES		MILLIMETERS		NOTES
	MIN	MAX	MIN	MAX	
A	0.188	0.197	4.80	5.00	-
B	0.149	0.158	3.80	4.00	-
C	0.228	0.244	5.80	6.20	-
D	0.050	BSC	1.27	BSC	-
E	0.013	0.020	0.33	0.51	-
F	0.004	0.010	0.10	0.25	-
H	0.053	0.069	1.35	1.75	-
J	0.011	0.019	0.28	0.48	-
K	0.007	0.010	0.19	0.25	-
M	0.016	0.050	0.40	1.27	-
L	0.150	REF	3.81	REF	-
e1	45°		45°		-
	0°	8°	0°	8°	-

* All specs and applications shown above subject to change without prior notice.