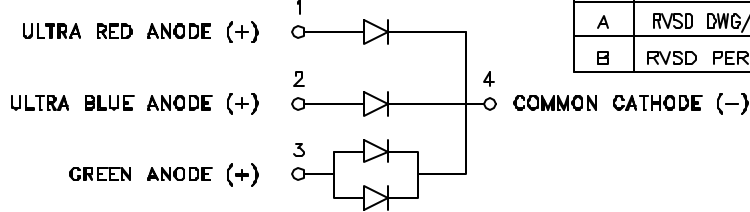
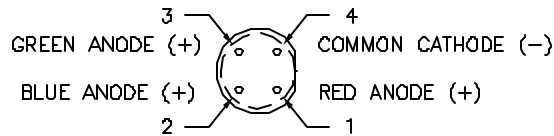
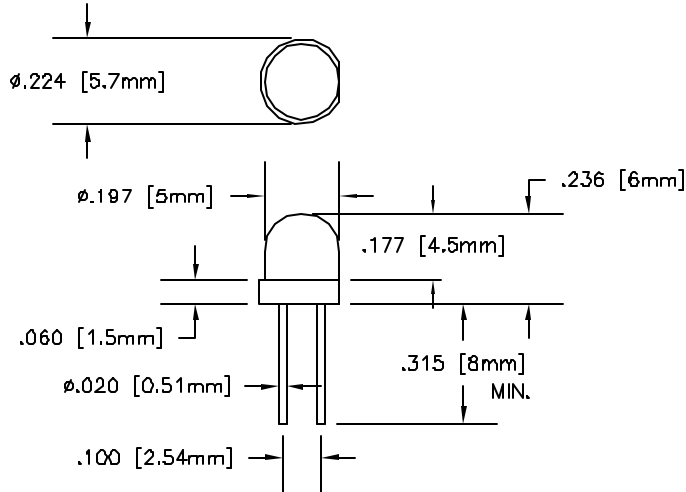


Actual Size



LTR	REVISION	DATE	APPD
-	RELEASED	04-22-97	
A	RVSD DWG/NOTES PER ECR 062497-006	06-24-97	PM
B	RVSD PER ECR 042502-RM01	04-25-02	RM



BOTTOM VIEW

NOTES:

1. ALL DIMENSIONS ARE IN INCHES [MILLIMETERS]
2. TOLERANCE IS $\pm 0.010"$ [0.25mm] UNLESS OTHERWISE SPECIFIED
3. PROTRUDED RESIN UNDER FLANGE IS $.059"$ [1.5mm] MAX.
4. LEAD SPACING IS MEASURED WHERE LEADS EMERGE FROM THE PACKAGE
5. SPECIFICATIONS ARE SUBJECTED TO CHANGE WITHOUT NOTICE
6. Ifp .1 msec PULSE 0.1% DUTY CYCLE.
7. $T_{opr} = -40^{\circ}C$ TO $+80^{\circ}C$
8. $T_{stg} = -40^{\circ}C$ TO $+100^{\circ}C$

* NO FILTER

LEDTRONICS PART NO.	LENS COLOR	L.E.D. RADIATION COLOR	ELECTRO-OPTICAL CHARACTERISTICS ($T_a=25^{\circ}C$)			
			I _f =mA typ	I _v med typ	V _f =V typ/max	λ_P nm
DIS-1024-005A	WATER CLEAR	ULTRA RED	20	75	1.7/2.8	660
		GREEN (2 CHIPS)	20	35	2.0/2.8	568
		ULTRA BLUE	20	*	4.0/4.5	430

<p>LED[®] LEDTRONICS, INC.[™] 23105 KASHIWA COURT TORRANCE, CA 90505</p>	<p>PROPRIETARY - This document contains Proprietary Information of LEDTRONICS, INC. It may not be copied, used or disclosed for any purpose without the prior express written consent of LEDTRONICS, INC.</p>		<p>TITLE DIS-1024-005A (WATER CLEAR)</p>				
	<p>XXX \pm .010 TOLERANCE PER ANSI-Y14.5 .XX \pm .025 (UNLESS OTHERWISE STATED) ANGLES \pm 0°.30' FRACT. \pm 1/32</p>		DWG NO	SCALE	SHEET	DATE	
			D1024003	2:1	1 OF 1	04-22-97	
		CODE IDENT NO.	DWG BY	CHK BY	QA	MFG	CUSTOMER
		8Z410	JCH	PL 05-01-02			