



**FLASH-ROM MODULE 2MByte (512K x 32-Bit)**  
**Part No. HMF51232M4Y**

### GENERAL DESCRIPTION

The HMF51232M4Y is a high-speed flash read only memory (FROM) module containing 524,288 words organized in a x32bit configuration. The module consists of four 512Kx 8 FROM mounted on a 72-pin, single-sided, FR4-printed circuit board. Commands are written to the command register using standard microprocessor write timings.

Register contents serve as input to an internal state-machine, which controls the erase and programming circuitry. Write cycles also internally latch addresses and data needed for the programming and erase operations. Reading data out of the device is similar to reading from 12.0V flash or EPROM devices.

Four chip enable inputs, (/CE\_UU2, /CE\_UM2, /CE\_LM2, /CE\_LL2) are used to enable the module's 4 bytes independently.

Output enable (/OE) and write enable (/WE) can set the memory input and output.

When FROM module is disable condition, the module is becoming power standby mode, system designer can get low-power design.

All module components may be powered from a single +5V DC power supply and all inputs and outputs are TTL-compatible.

### FEATURES

- w Access time : 55,70, 90 and 120ns
- w High-density 2MByte design
- w High-reliability, low-power design
- w Single + 5V ± 0.5V power supply
- w Easy memory expansion
- w All inputs and outputs are TTL-compatible
- w FR4-PCB design
- w Low profile 72-pin SIMM
- w Minimum 1,000,000 write/erase cycle
- w Sector erases architecture
- w Sector group protection
- w Temporary sector group unprotection

### OPTIONS

w Timing

55ns access	- 55
70ns access	- 70
90ns access	- 90
120ns access	- 120

w Package

72-pin SIMM	M
-------------	---

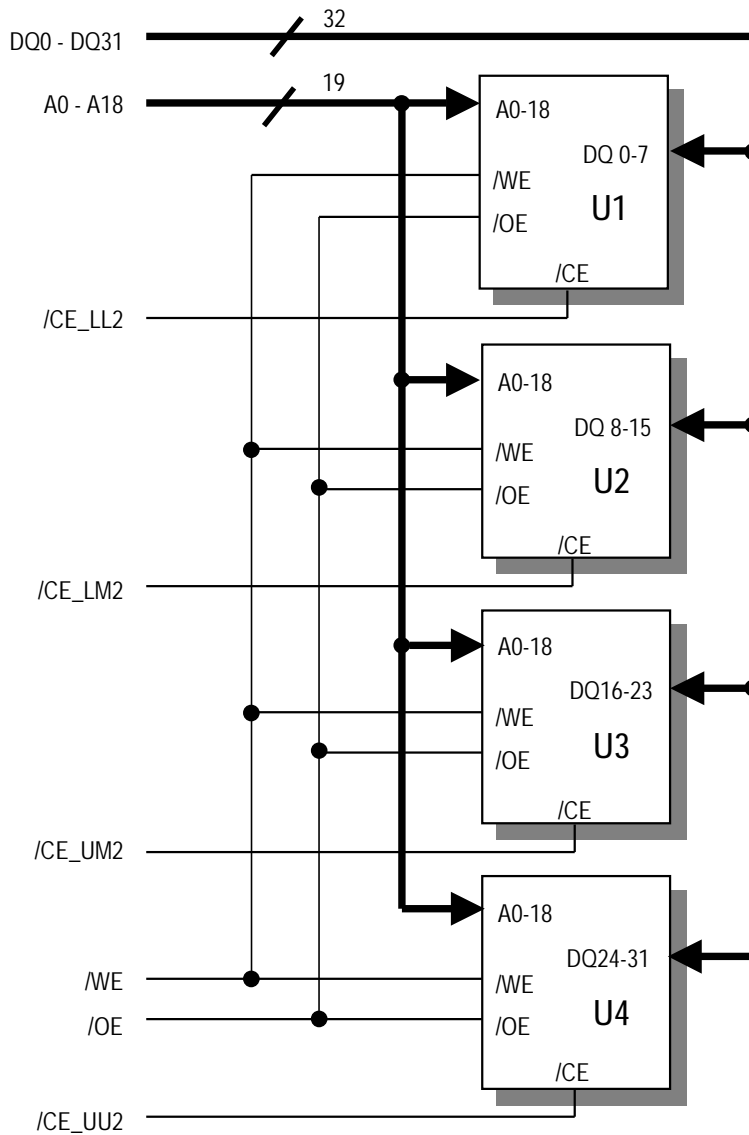
### MARKING

### PIN ASSIGNMENT

PIN	SYMBOL	PIN	SYMBOL	PIN	SYMBOL
1	Vss	25	Vcc	49	DQ17
2	A3	26	DQ8	50	DQ18
3	A2	27	DQ9	51	DQ22
4	A1	28	DQ10	52	DQ21
5	A0	29	/CE_LM2	53	DQ20
6	Vcc	30	Vcc	54	DQ19
7	A11	31	NC	55	Vcc
8	/OE	32	DQ15	56	A15
9	A10	33	DQ14	57	A12
10	Vcc	34	DQ13	58	A7
11	/CE_LL2	35	DQ12	59	Vcc
12	NC	36	DQ11	60	A8
13	DQ7	37	A18	61	A9
14	DQ0	38	A16	62	DQ24
15	DQ1	39	Vss	63	DQ25
16	DQ2	40	A6	64	DQ26
17	DQ6	41	Vcc	65	/CE_UU2
18	DQ5	42	A5	66	NC
19	DQ4	43	A4	67	DQ31
20	DQ3	44	Vcc	68	DQ30
21	/WE	45	/CE_UM2	69	DQ29
22	A17	46	NC	70	DQ28
23	A14	47	DQ23	71	DQ27
24	A13	48	DQ16	72	Vss

**72-PIN SIMM  
TOP VIEW**

### FUNCTIONAL BLOCK DIAGRAM



**TRUTH TABLE**

MODE	/OE	/CE	/WE	DQ	POWER
STANDBY	X	H	X	HIGH-Z	STANDBY
NOT SELECTED	H	L	H	HIGH-Z	ACTIVE
READ	L	L	H	Dout	ACTIVE
WRITE	X	L	L	Din	ACTIVE

**Note** : X means don't care

**ABSOLUTE MAXIMUM RATINGS**

PARAMETER	SYMBOL	RATING
Voltage with respect to ground all other pins	V <sub>IN,OUT</sub>	-2.0V to +7.0V
Voltage with respect to ground V <sub>cc</sub>	V <sub>CC</sub>	-2.0V to +7.0V
Storage Temperature	T <sub>STG</sub>	-65°C to +125°C
Operating Temperature	T <sub>A</sub>	-55°C to +125°C

w Stresses greater than those listed under " Absolute Maximum Ratings" may cause permanent damage to the device. This is a stress rating only and functional operation of the device at these or any other conditions above those indicated in the operating section of this specification is not implied. Exposure to absolute maximum rating conditions for extended periods may affect reliability.

**RECOMMENDED DC OPERATING CONDITIONS**

PARAMETER	SYMBOL	MIN	TYP.	MAX
V <sub>cc</sub> for ±5% device Supply Voltages	V <sub>CC</sub>	4.75V		5.25V
V <sub>cc</sub> for ± 10% device Supply Voltages	V <sub>CC</sub>	4.5V		5.5V
Ground	V <sub>SS</sub>	0	0	0

**DC AND OPERATING CHARACTERISTICS (0°C ≤ T<sub>A</sub> ≤ 70 °C ; V<sub>cc</sub> = 5V ± 0.5V )**

PARAMETER	TEST CONDITIONS	SYMBOL	MIN	MAX	UNITS
Input Leakage Current	V <sub>CC</sub> =V <sub>CC</sub> max, V <sub>IN</sub> = GND to V <sub>CC</sub>	I <sub>L1</sub>		±1.0	μA
Output Leakage Current	V <sub>CC</sub> =V <sub>CC</sub> max, V <sub>OUT</sub> = GND to V <sub>CC</sub>	I <sub>L0</sub>		±1.0	μA
Output High Voltage	I <sub>OH</sub> = -2.5mA, V <sub>CC</sub> = V <sub>CC</sub> min	V <sub>OH</sub>	2.4		V
Output Low Voltage	I <sub>OL</sub> = 12mA, V <sub>CC</sub> =V <sub>CC</sub> min	V <sub>OL</sub>		0.45	V
V <sub>CC</sub> Active Current for Read(1)	/CE = V <sub>IL</sub> , /OE=V <sub>IH</sub>	I <sub>CC1</sub>	80	120	mA
V <sub>CC</sub> Active Current for Program or Erase(2)	/CE = V <sub>IL</sub> , /OE=V <sub>IH</sub>	I <sub>CC2</sub>	120	160	mA
V <sub>CC</sub> Standby Current	/CE= V <sub>IH</sub>	I <sub>CC3</sub>	4	20	mA
Low V <sub>CC</sub> Lock-Out Voltage		V <sub>LKO</sub>	3.2	4.2	V

**Notes:**

1. The I<sub>CC</sub> current listed is typically less than 2mA/MHz, with /OE at V<sub>IH</sub>.
2. I<sub>CC</sub> active while embedded algorithm (program or erase) is in progress
3. Maximum I<sub>CC</sub> current specifications are tested with V<sub>CC</sub>=V<sub>CC</sub> max

## ERASE AND PROGRAMMING PERFORMANCE

PARAMETER	LIMITS			UNIT	COMMENTS
	MIN.	TYP.	MAX.		
Sector Erase Time	-	1	8	sec	Excludes 00H programming prior to erasure
Byte Programming Time	-	7	300	us	Excludes system-level overhead
Chip Programming Time	-	3.6	10.8	sec	Excludes system-level overhead

## CAPACITANCE

PARAMETER SYMBOL	PARAMETER DESCRIPTION	TEST SETUP	TYP.	MAX	UNIT
C <sub>IN</sub>	Input Capacitance	V <sub>IN</sub> = 0	6	7.5	pF
C <sub>OUT</sub>	Output Capacitance	V <sub>OUT</sub> = 0	8.5	12	pF
C <sub>IN2</sub>	Control Pin Capacitance	V <sub>IN</sub> = 0	7.5	9	pF

Notes : Test conditions T<sub>A</sub> = 25° C, f=1.0 MHz.

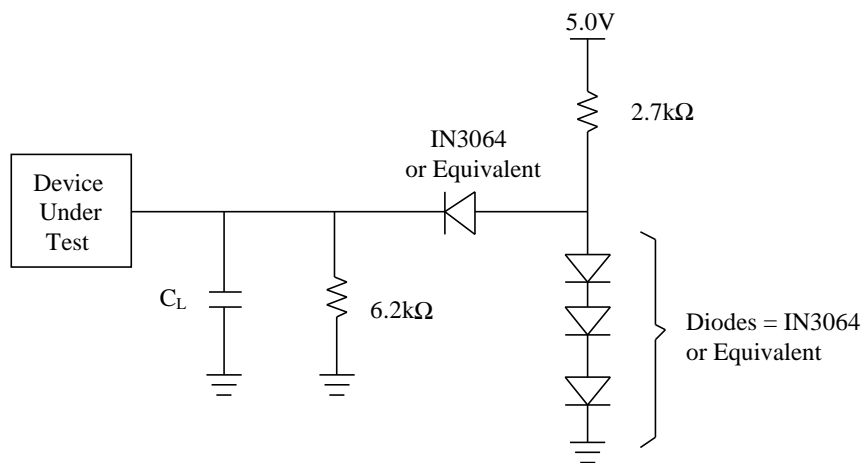
## TEST CONDITIONS

TEST CONDITION	-55	ALL OTHERS	UNIT
Output load	1 TTL gate		
Output load Capacitance, C <sub>L</sub>	30	100	pF
Input Rise and Fall Times	5	20	ns
Input Pulse Levels	0~3	0.45~2.4	V
Input timing measurement reference levels	1.5	0.8	V
Output timing measurement reference levels	1.5	2.0	V

**AC CHARACTERISTICS**

**└ Read Only Operations Characteristics**

PARAMETER SYMBOLS	DESCRIPTION	TEST SETUP	-55		-70		-90		-120		UNIT
			MIN	MAX	MIN	MAX	MIN	MAX	MIN	MAX	
$t_{RC}$	Read Cycle Time		55		70		90		120		ns
$t_{ACC}$	Address to Output Delay	/CE = $V_{IL}$ /OE = $V_{IL}$		55		70		90		120	ns
$t_{CE}$	Chip Enable to Output Delay	/OE = $V_{IL}$		55		70		90		120	ns
$t_{OE}$	Chip Enable to Output Delay			30		30		35		50	ns
$t_{DF}$	Chip Enable to Output High-Z		0		0		0		0		ns
$t_{DF}$	Output Enable to Output High-Z			18		20		20		35	ns
$t_{QH}$	Output Hold Time From Addresses, /CE or /OE, Whichever Occurs First		0		0		0		0		ns



Note :  $C_L = 100\text{pF}$  including jig capacitance

**└ Erase/Program Operations**

PARAMETER SYMBOLS	DESCRIPTION	-55		-70		-90		-120		UNIT
		MIN	TYP	MIN	MAX	MIN	MAX	MIN	MAX	
$t_{WC}$	Write Cycle Time	55		70		90		120		ns
$t_{AS}$	Address Setup Time	0								ns
$t_{AH}$	Address Hold Time	40		45		45		50		ns
$t_{DS}$	Data Setup Time	25		30		45		50		ns

$t_{DH}$	Data Hold Time	0								ns
$t_{OES}$	Output Enable Setup Time	0								ns
$t_{GHWL}$	Read Recover Time Before Write	0								ns
$t_{CS}$	/CE Setup Time	0								ns
$t_{CH}$	/CE Hold Time	0								ns
$t_{WP}$	Write Pulse Width	30		35		45		50		ns
$t_{WPH}$	Write Pulse Width High	20								ns
$t_{WHWH1}$	Byte Programming Operation	7								$\mu$ s
$t_{WHWH2}$	Sector Erase Operation (Note1)	1								sec
$t_{VCS}$	Vcc set up time	50								$\mu$ s

**Notes :**

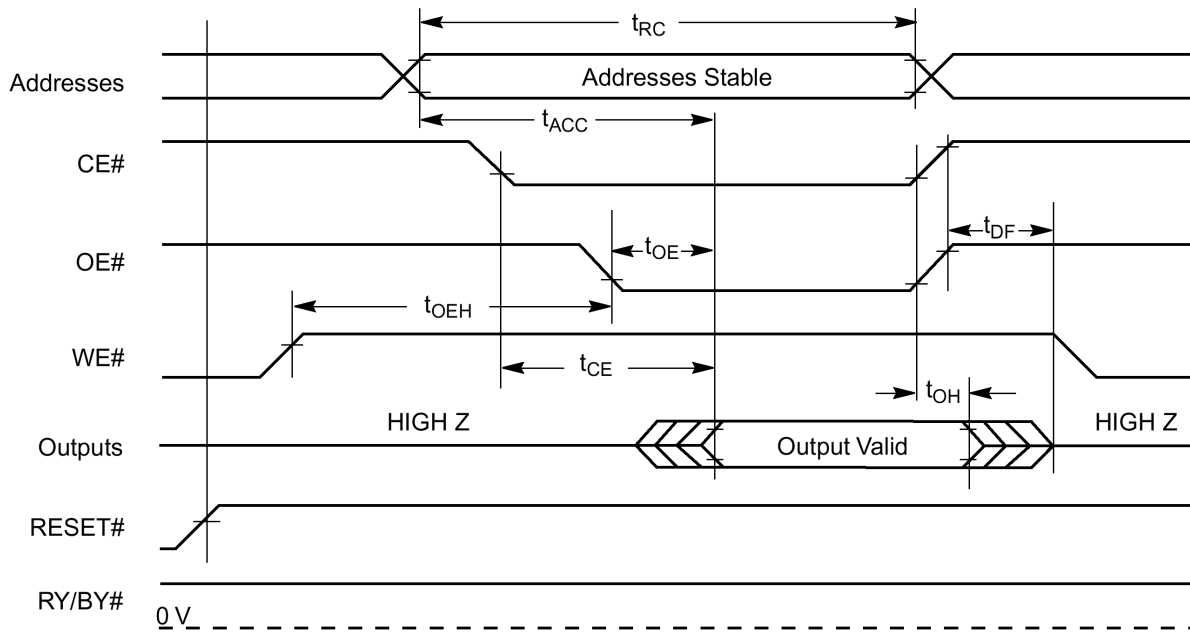
1. This does not include the preprogramming time
2. This timing is only for Sector Protect operations

### U Erase/Program Operations Alternate /CE Controlled Writes

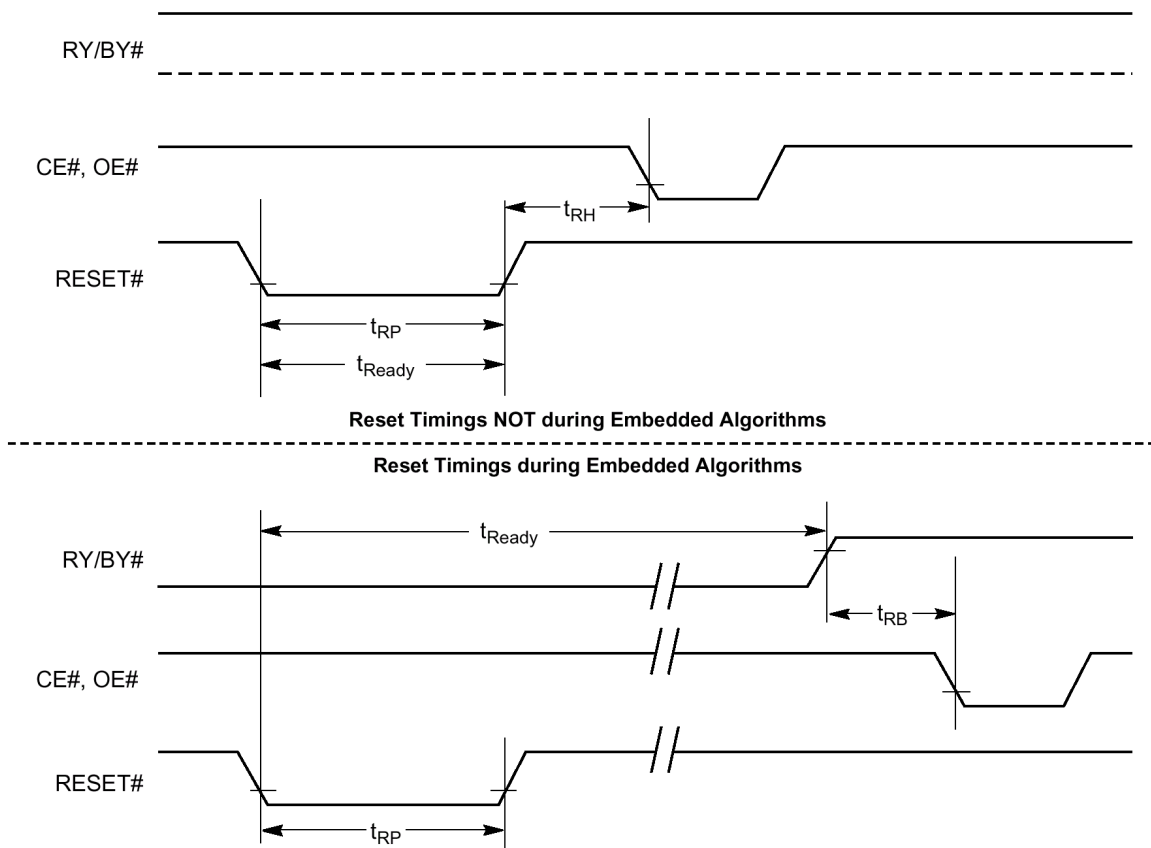
PARAMETER SYMBOLS	DESCRIPTION	-55		-70		-90		-120		UNIT
		MIN	TYP	MIN	MAX	MIN	MAX	MIN	MAX	
$t_{WC}$	Write Cycle Time	55	ns	70		90		120		ns
$t_{AS}$	Address Setup Time	0								ns
$t_{AH}$	Address Hold Time	40	ns	45		45		50		ns
$t_{DS}$	Data Setup Time	25	ns	30		45		50		ns
$t_{DH}$	Data Hold Time	0								ns
$t_{GHEL}$	Read Recover Time Before Write	0								ns
$t_{WS}$	/WE Setup Time	0								ns
$t_{WH}$	/WE Hold Time	0								ns
$t_{CP}$	/CE Pulse Width	30	ns	35		45		50		ns
$t_{CPH}$	/CE Pulse Width High	20								ns
$t_{WHWH1}$	Byte Programming Operation	7								$\mu$ s
$t_{WHWH2}$	Sector Erase Operation (Note)	1								sec

**Notes :** This does not include the preprogramming time.

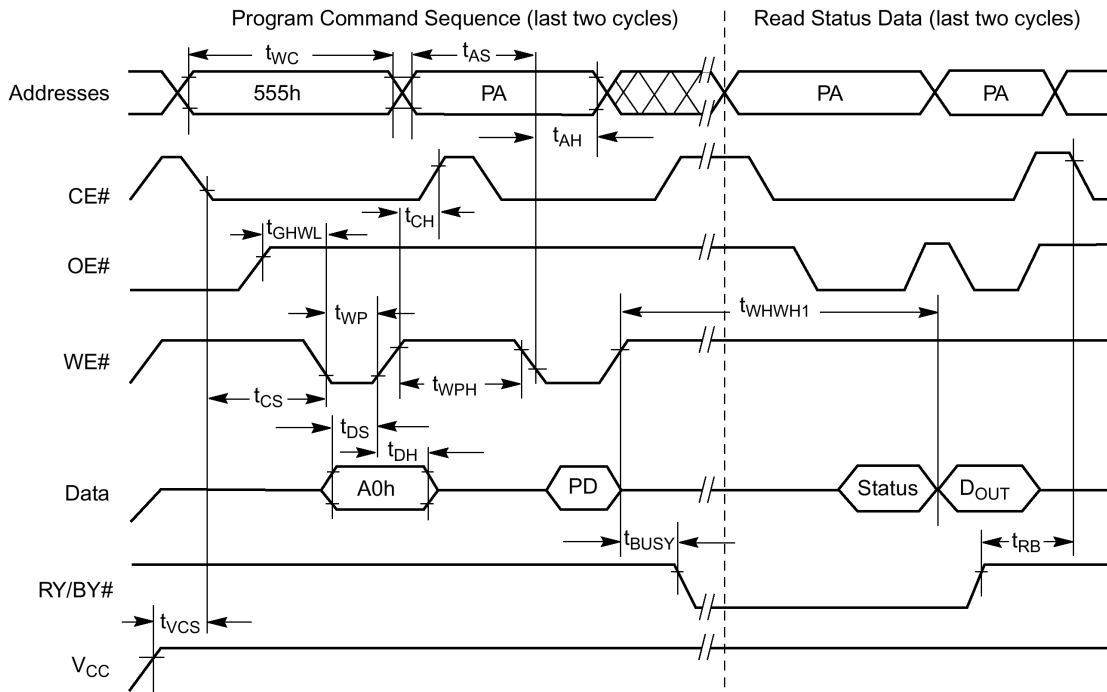
U READ OPERATIONS TIMING



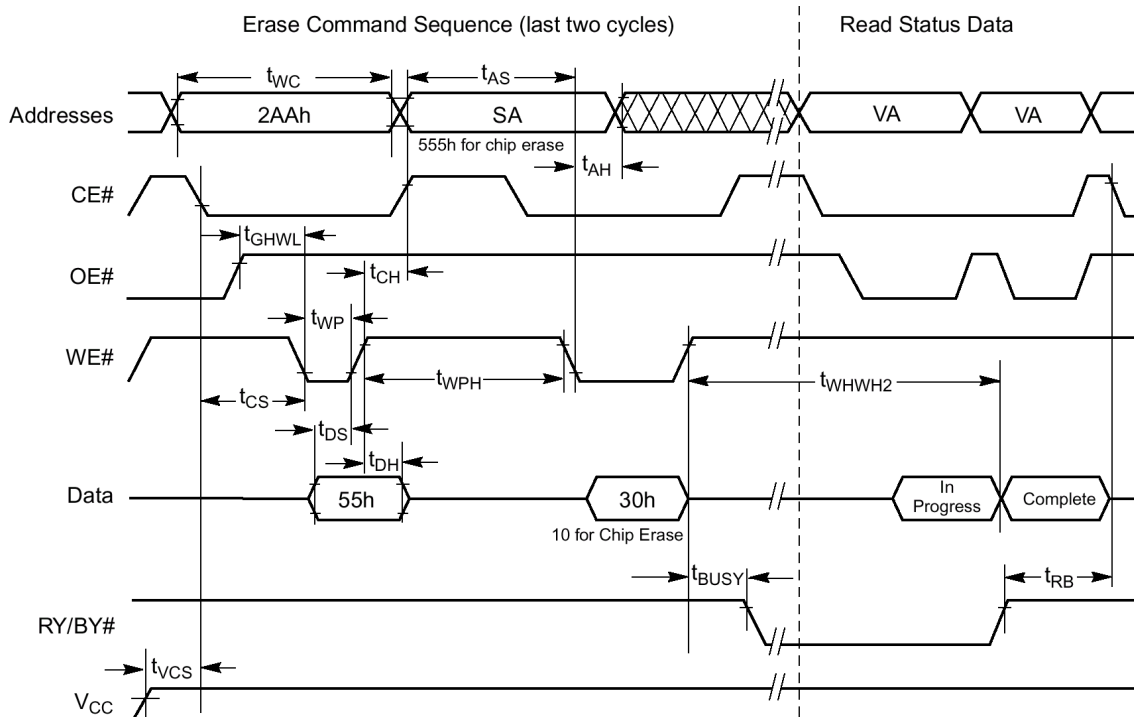
U RESET TIMING



PROGRAM OPERATIONS TIMING

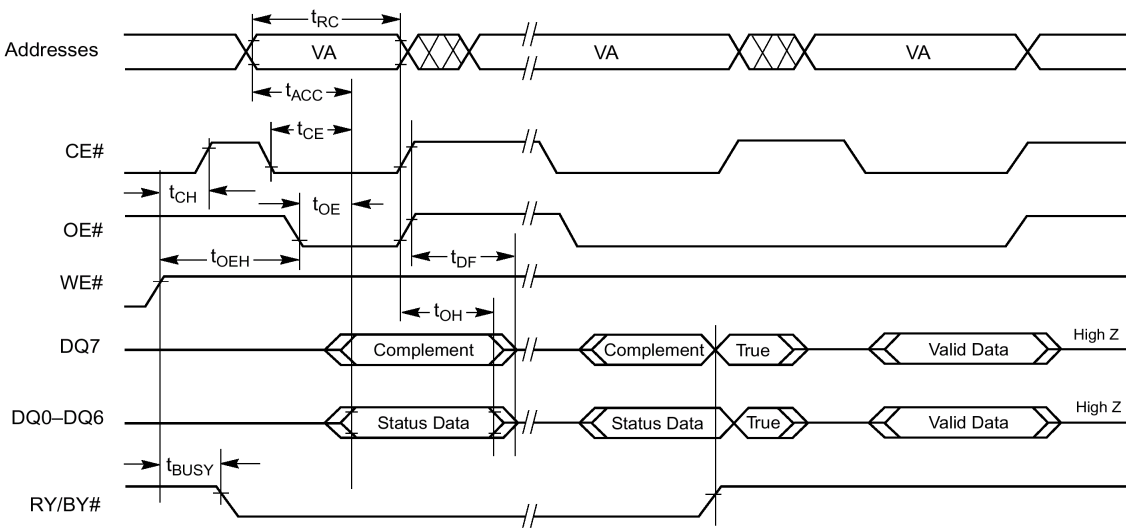


CHIP/SECTOR ERASE OPERATION TIMINGS

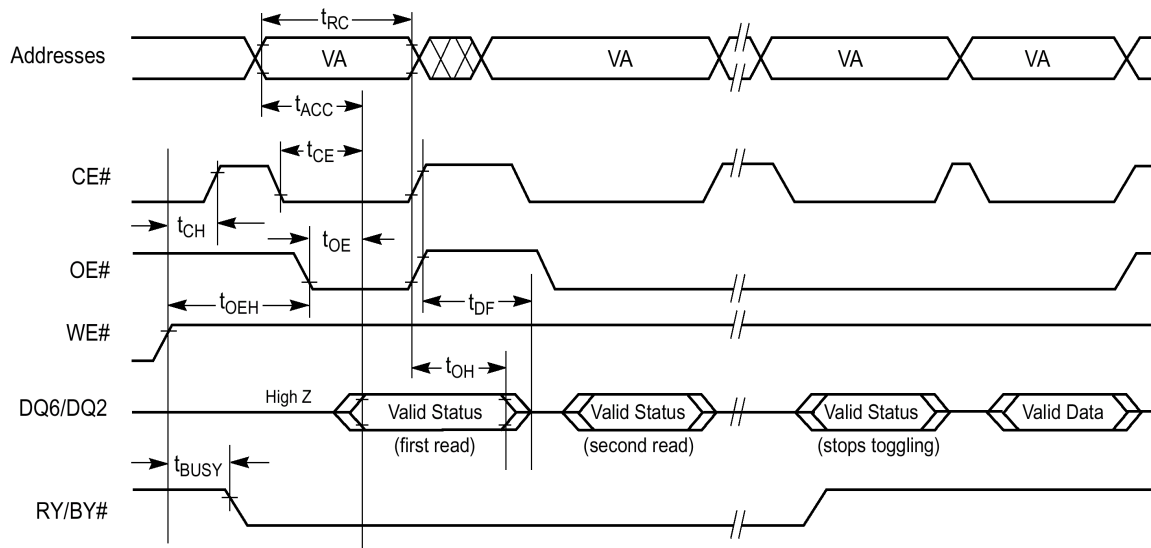




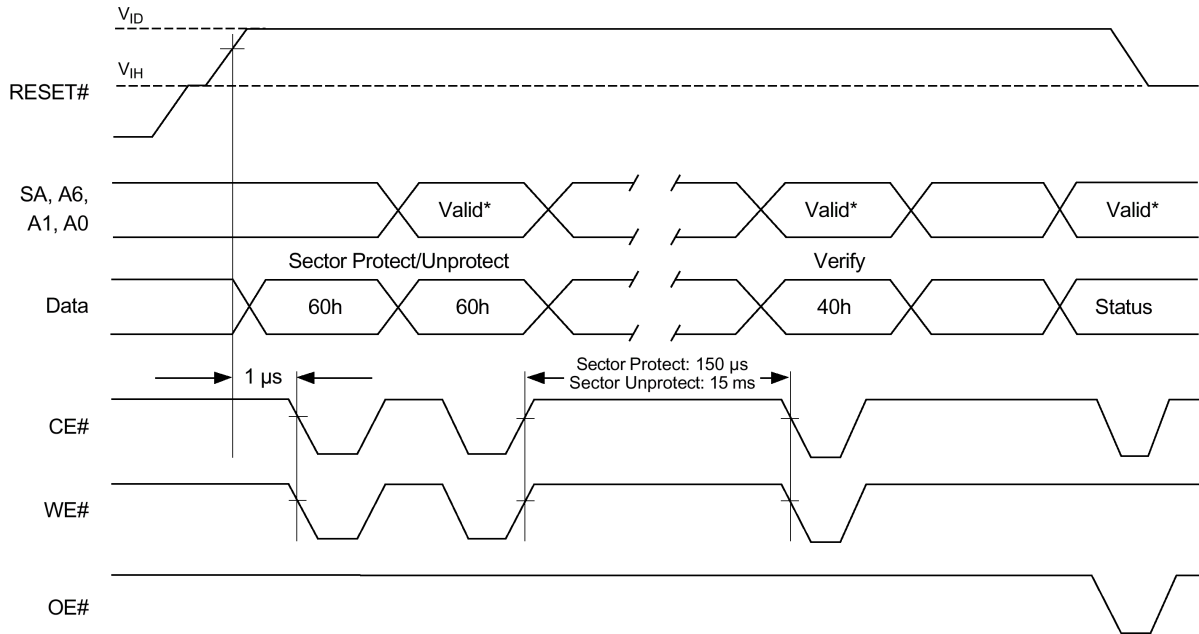
**U DATA# POLLING TIMES(DURING EMBEDDED ALGORITHMS)**



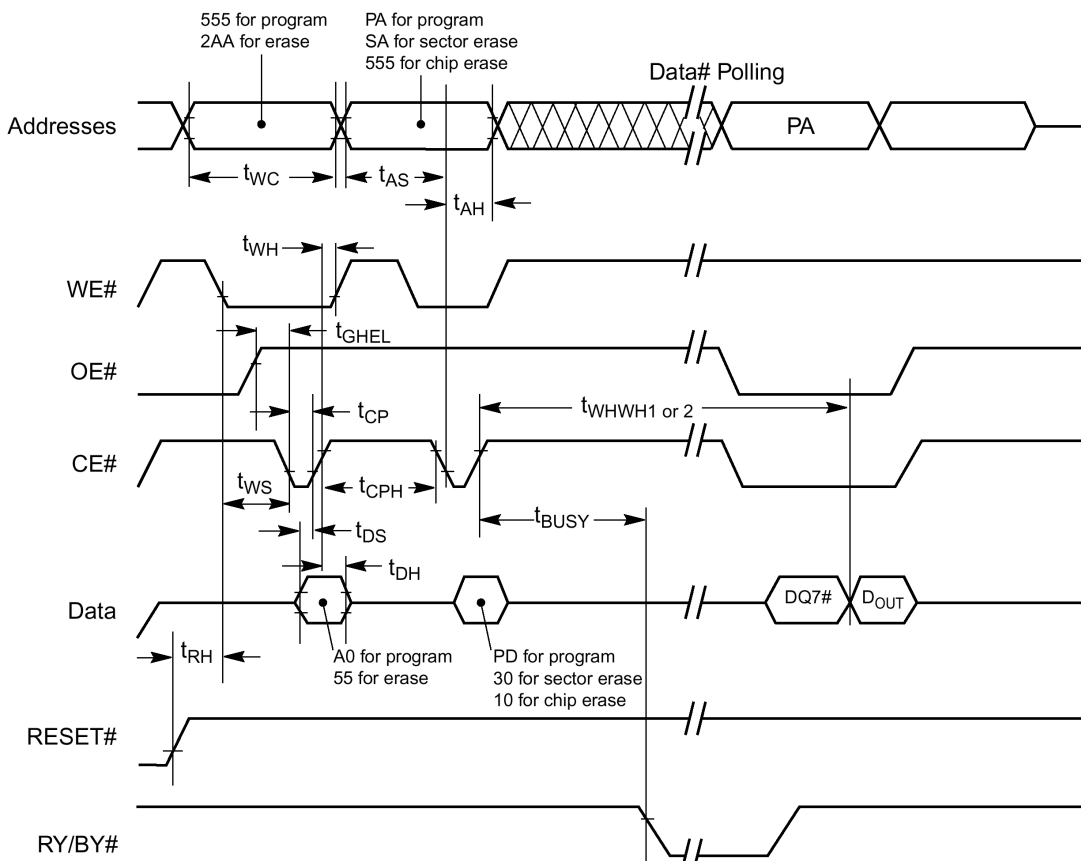
**U TOGGLE# BIT TIMINGS (DURING EMBEDDED ALGORITHMS)**



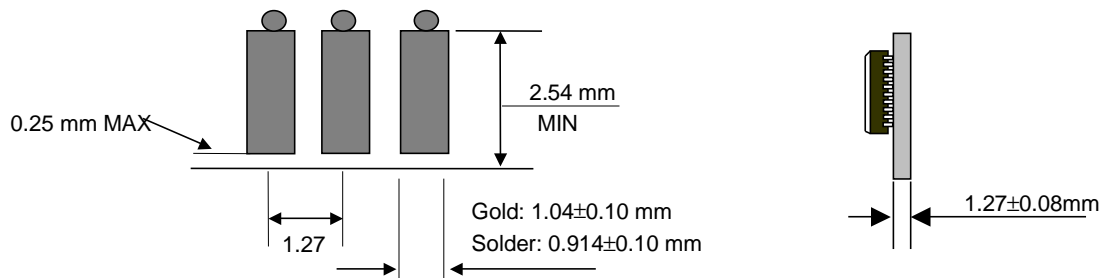
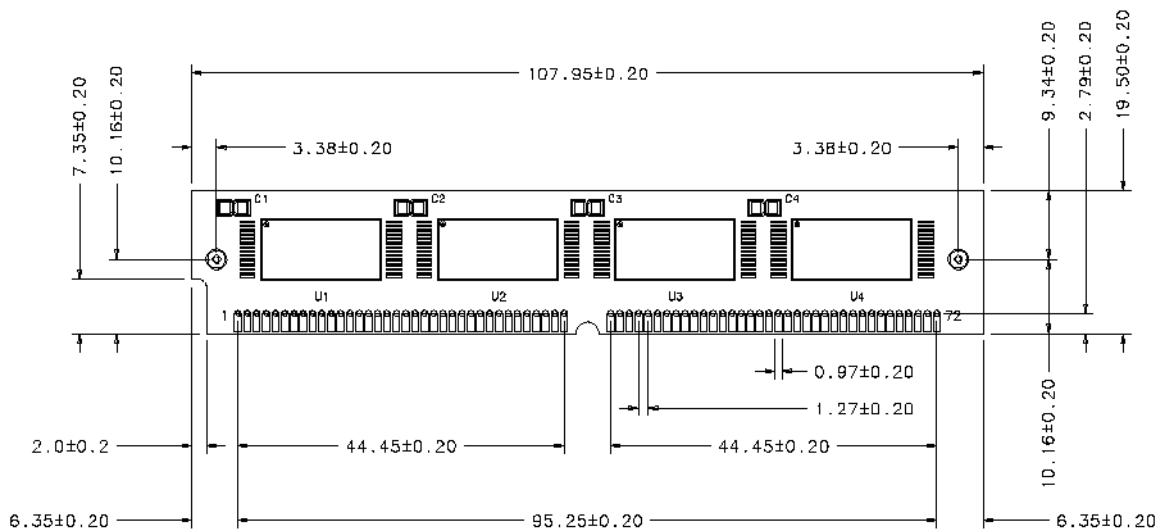
U SECTOR PROTECT UNPROTECT TIMEING DIAGRAM



U ALTERNATE CE# CONTROLLED WRITE OPERATING TIMINGS



PACKAGE DIMENSIONS



(Solder & Gold Plating)

ORDERING INFORMATION

Part Number	Density	Org.	Package	Component Number	Vcc	SPEED
HMF51232M4Y-55	2MByte	512K×32bit	72 Pin-SIMM	4EA	5.0V	55ns
HMF51232M4Y-70	2MByte	512K×32bit	72 Pin-SIMM	4EA	5.0V	70ns
HMF51232M4Y-90	2MByte	512K×32bit	72 Pin-SIMM	4EA	5.0V	90ns
HMF51232M4Y-120	2MByte	512K×32bit	72 Pin-SIMM	4EA	5.0V	120ns