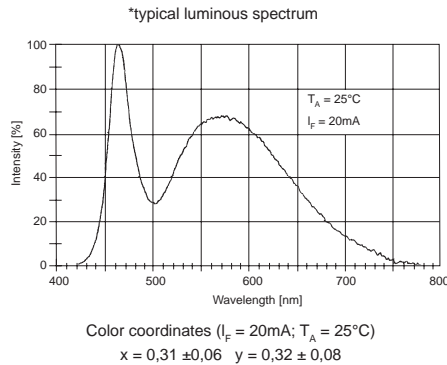
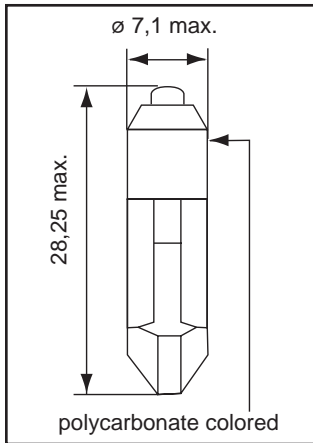


15086 Series T 2 Telephone Slide Based LED (Standard)

DESCRIPTION AND FEATURES



- Replaces incandescent lamp #'s
 - 12V AC/DC — 12PSB
 - 24V AC/DC — 24PSB
 - 28V AC/DC — 28PSB
- Extremely high brightness with low current draw
- Long life — typically 100K hours vs. 10K hours
- Low heat generation
- Available in five standard colors. Custom colors available upon request
- Shock and vibration proof
- Storage temperature: $-25^\circ\text{C} - +80^\circ\text{C}$
- Ambient temperature: $-20^\circ\text{C} - +60^\circ\text{C}$
- Due to production tolerances, color temperature variations may be detected within individual consignments

ELECTRO-OPTICAL CHARACTERISTICS AND RATINGS

| Part Number | Color | Voltage V AC/DC | Current mA | Lumi. Intensity mcd | Reverse Voltage V | Dominant Wavelength nm |
|-------------|----------------|--------------------|---------------|---------------------------|-------------------------|------------------------------|
| 1508625UR3 | Red | 12 | 7 / 14 | 330 | 80 | 630 |
| 1508625UG3 | Green | 12 | 7 / 14 | 910 | 80 | 525 |
| 1508625UY3 | Yellow | 12 | 7 / 14 | 280 | 80 | 587 |
| 1508625B3 | Blue | 12 | 7 / 14 | 350 | 80 | 470 |
| 1508625W3 | White Clear | 12 | 7 / 14 | 700 | 80 | * |
| 1508625W3D | White Diffused | 12 | 7 / 14 | 350 | 80 | * |
| 1508635UR3 | Red | 24 | 7 / 14 | 330 | 80 | 630 |
| 1508635UG3 | Green | 24 | 7 / 14 | 910 | 80 | 525 |
| 1508635UY3 | Yellow | 24 | 7 / 14 | 280 | 80 | 587 |
| 1508635B3 | Blue | 24 | 7 / 14 | 350 | 80 | 470 |
| 1508635W3 | White Clear | 24 | 7 / 14 | 700 | 80 | * |
| 1508635W3D | White Diffused | 24 | 7 / 14 | 350 | 80 | * |
| 1508645UR3 | Red | 28 | 7 / 14 | 330 | 80 | 630 |
| 1508645UG3 | Green | 28 | 7 / 14 | 910 | 80 | 525 |
| 1508645UY3 | Yellow | 28 | 7 / 14 | 280 | 80 | 587 |
| 1508645B3 | Blue | 28 | 7 / 14 | 350 | 80 | 470 |
| 1508645W3 | White Clear | 28 | 7 / 14 | 700 | 80 | * |
| 1508645W3D | White Diffused | 28 | 7 / 14 | 350 | 80 | * |

Luminous intensity data of the used LEDs at: $I_{OP,DC}$

Chicago Miniature Lamp reserves the right to make specification revisions that enhance the design and/or performance of the product.