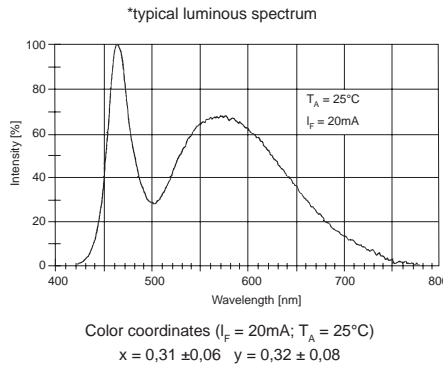
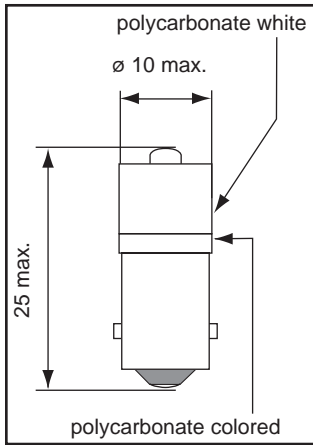


18602, 186062, 186061 Series T 3/4 Bayonet Based LED

DESCRIPTION AND FEATURES



- Replaces incandescent lamp #s
 - 12V AC/DC — 12MB, 181, 756, 1488, 1815, 1894, 1889, 1891, 1893, 1898
 - 24V AC/DC — 24MB, 1437, 1818
 - 28V AC/DC — 313, 757, 1819, 1820, 1829, 1843, 1864, 1873
 - 125 and 230V AC — 949
- Extremely high brightness with low current draw
- Long life — typically 100K hours vs. 10K hours
- Low heat generation
- Available in five standard colors. Custom colors available upon request
- Shock and vibration proof
- Line voltage units ideal for industrial applications
- Storage temperature: $-25^\circ\text{C} - +80^\circ\text{C}$
- Ambient temperature: $-20^\circ\text{C} - +60^\circ\text{C}$
- Due to production tolerances, color temperature variations may be detected within individual consignments

ELECTRO-OPTICAL CHARACTERISTICS AND RATINGS

Part Number	Color	Voltage V AC/DC * V AC only	Current mA	Lumi. Intensity mcd	Dominant Wavelength nm
18602250	Red	12	15	350	630
18602251	Green	12	15	1000	525
18602252	Yellow	12	15	300	587
18602257	Blue	12	15	400	470
1860225W3	White Clear	12	15	750	*
1860225W3D	White Diffused	12	15	375	*
18602350	Red	24	15	350	630
18602351	Green	24	15	1000	525
18602352	Yellow	24	15	300	587
18602357	Blue	24	15	400	470
1860235W3	White Clear	24	15	750	*
1860235W3D	White Diffused	24	15	375	*
18602450	Red	28	15	350	630
18602451	Green	28	15	1000	525
18602452	Yellow	28	15	300	587
18602457	Blue	28	15	400	470
1860245W3	White Clear	28	15	750	*
1860245W3D	White Diffused	28	15	375	*
18606230	Red	230*	3	70	630
18606231	Green	230*	3	200	525
18606232	Yellow	230*	3	60	587
18606237	Blue	230*	3	80	470
1860623W3	White Clear	230*	3	150	*
1860623W3D	White Diffused	230*	3	75	*
18606130	Red	130*	5	120	630
18606131	Green	130*	5	330	525
18606132	Yellow	130*	5	100	587
18606137	Blue	130*	5	130	470
1860613W3	White Clear	130*	5	250	*
1860613W3D	White Diffused	130*	5	125	*

Luminous intensity data of the used LEDs at: $I_{OP,DC}$

Chicago Miniature Lamp reserves the right to make specification revisions that enhance the design and/or performance of the product.