

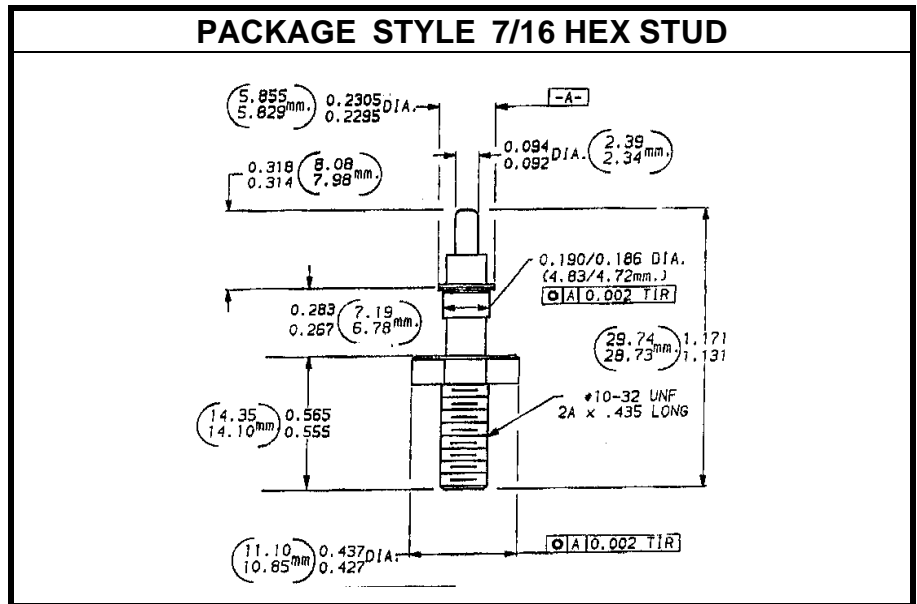
# SILICON STEP RECOVERY DIODE

## DESCRIPTION:

The **DVB4376-99** is Designed for use in Moderate Power Multiplier Applications, Cathode Connected to Case.

## MAXIMUM RATINGS

V	85 V
---	------



## CHARACTERISTICS $T_C = 25^\circ\text{C}$

SYMBOL	TEST CONDITIONS	MINIMUM	TYPICAL	MAXIMUM	UNITS
$V_B$	$I_R = 10 \mu\text{A}$	85			V
$C_i$	$V_R = 0 \text{ V}$		12		pF
$C_i$	$V_R = 6.0 \text{ V}$	8.0		11.5	pF
$T_L$	MINORITY CARRIER LIFETIME			400	nS