




CONNECTION		
PAD	Variant D	Variant F
1	Control voltage	Control voltage
2	Ground	Enable/Disable
3	Output	Ground
4	Supply	Output
5	-	Not connected
6	-	Supply

Scale 2:1

**Features**

-  **5.0V supply**
-  **Low cost for volume applications**
-  **Enable / disable tristate function (6-pad)**

**Enable / Disable Function**

Input (pad 2)	Output (pad 4)
Open	Enabled
'1' level	Enabled
'0' level	High Impedance

**Specifications**

**GVXO-755D: 4 pads, No Enable / Disable**

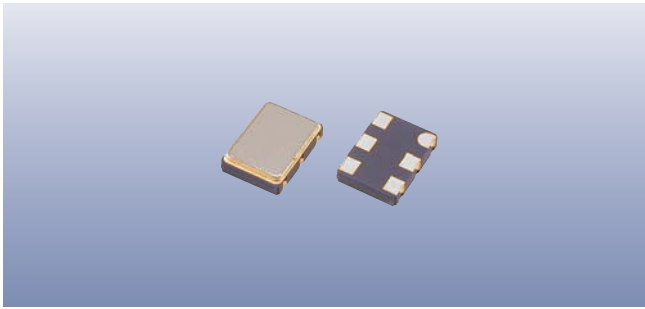
**GVXO-755F: 6 pads, Enable / Disable function**

Parameters	Variant		Option Codes
	D	F	
<b>Package:</b> 4 pads, 5.08mm pitch 6 pads, 2.54mm pitch	<input checked="" type="checkbox"/>	<input type="checkbox"/>	
<b>Frequency range:</b> 1.5440 ~ 47.0MHz	<input checked="" type="checkbox"/>	<input checked="" type="checkbox"/>	
<b>Voltage control:</b> +2.5V ±2.0V, 10% linearity	<input checked="" type="checkbox"/>	<input checked="" type="checkbox"/>	
<b>Frequency pullability (min):</b> ±50ppm ±100ppm ±120ppm Other	<input type="checkbox"/> <input checked="" type="checkbox"/> <input type="checkbox"/> <input type="checkbox"/>	<input type="checkbox"/> <input checked="" type="checkbox"/> <input type="checkbox"/> <input type="checkbox"/>	N S V specify
<b>Frequency stability (max):</b> ±50ppm ±25ppm Other	<input checked="" type="checkbox"/> <input type="checkbox"/> <input type="checkbox"/>	<input checked="" type="checkbox"/> <input type="checkbox"/> <input type="checkbox"/>	B C specify
<b>Operating temperature range:</b> -10 to +70°C -40 to +85°C Other	<input checked="" type="checkbox"/> <input type="checkbox"/> <input type="checkbox"/>	<input checked="" type="checkbox"/> <input type="checkbox"/> <input type="checkbox"/>	I specify
<b>Storage temperature range:</b> -40 to +85°C	<input checked="" type="checkbox"/>	<input checked="" type="checkbox"/>	
<b>Supply voltage (V<sub>DD</sub>):</b> +5.0V (±5%)	<input checked="" type="checkbox"/>	<input checked="" type="checkbox"/>	
<b>Supply current:</b> 15mA max (1.0 ~ 20.0MHz) 20mA max (>20.0 ~ 30.0MHz) 25mA max (>30.0 ~ 40.0MHz) 30mA max (>40.0MHz)	<input checked="" type="checkbox"/> <input checked="" type="checkbox"/> <input checked="" type="checkbox"/> <input checked="" type="checkbox"/>	<input checked="" type="checkbox"/> <input checked="" type="checkbox"/> <input checked="" type="checkbox"/> <input checked="" type="checkbox"/>	
<b>Driving ability:</b> 15pF CMOS	<input checked="" type="checkbox"/>	<input checked="" type="checkbox"/>	
<b>Logic levels:</b> '0' level = 10%V <sub>DD</sub> max '1' level = 90%V <sub>DD</sub> min	<input checked="" type="checkbox"/> <input checked="" type="checkbox"/>	<input checked="" type="checkbox"/> <input checked="" type="checkbox"/>	
<b>Waveform symmetry:</b> 45:55 max	<input checked="" type="checkbox"/>	<input checked="" type="checkbox"/>	
<b>Rise / fall time (10%~90%V<sub>DD</sub>):</b> 10ns max (2.0 ~ 10.0MHz) 6ns max (>10.0MHz)	<input checked="" type="checkbox"/> <input checked="" type="checkbox"/>	<input checked="" type="checkbox"/> <input checked="" type="checkbox"/>	
<b>Enable / disable function:</b> Tristate (control via pad 2)		<input checked="" type="checkbox"/>	

Standard.  Optional - Please specify required code(s) when ordering

**Ordering Information**

Product + option codes + frequency  
 eg: **GVXO-755D/SC 19.440MHz** ±100ppm pullability, ±25ppm stability  
**GVXO-755F/VB 32.7680MHz** ±120ppm pullability, ±50ppm stability  
 Option codes must be included to fully specify a model.  
 Option code X (eg GVXO-755F/X) denotes a custom spec.



## Packaging & Handling

Production quantities supplied on T & R, 1k pcs per reel.  
Small quantities may be supplied on tape (no reel), or in bulk.



◆ Static sensitive product. Observe proper handling precautions

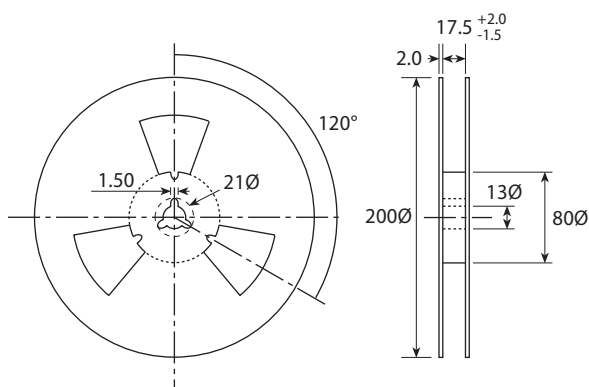
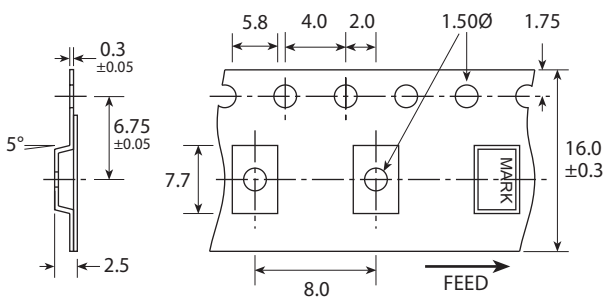
## Marking

GOLLEDGE  
FREQUENCY  
● PARTNO DC

- Pin 1
- Marking type: Laser
- DC = Date code in YM, eg "CE" = May 2003

	A	B	C	D	E	F	G	H	J	K	L	M
Y	1	2	3	4	5	6	7	8	9	0		
M	Jan	Feb	Mar	Apr	May	Jun	Jul	Aug	Sep	Oct	Nov	Dec

## Tape & Reel Specification



Not to scale. Dimensions in mm. Tolerances ±0.1mm unless otherwise stated

## Construction

▬▬▬ Ceramic body with gold-plated pads

▬▬▬ Metal lid, seam sealed

## Composition



This product is lead-free, and is fully compliant with the RoHS directive 2002/95/EC



## Soldering Profile

