

FEATURES

- Small size, light weight
- DIL pitch PCB mounting
- 3 coil sensitivity type for choice
- High performance/cost ratio

TYPICAL APPLICATIONS

- Computer peripherals
- Data exchange systems
- Home appliances
- Acoustic control toys

CONTACT RATING

Form	1 Form C (Z)
Resistive	1A, 120VAC/24VDC 5A, 120VAC/24VDC (S)
Max. Switching Current	2A 5A (S)
Min. Load	1 mA, 1 VDC

CONTACT DATA

Material	Ag, Au plated Ag	
Initial Contact Resistance	100 mΩ max. at 0.1A 6VDC	
Service Life	Mechanical	10 <sup>7</sup> ops.
	Electrical	10 <sup>5</sup> ops.

UL/CSA RATING

Form	1 Form C (Z)
Resistive	1A, 120VAC/24VDC 5A, 120VAC/24VDC (Pending)

COIL DATA

Coil Voltage Code	Nominal Voltage (VDC)	Resistance (Ω) ±10%						Must Operate Voltage max. (VDC)	Must Release Voltage min. (VDC)
		Power Consumption							
		Sensitivity B		Standard		Sensitivity H			
003	3	20	0.45W	25	0.36W	45	0.2W	2.25	0.3
005	5	56		70		120		3.75	0.5
006	6	80		100		180		4.50	0.6
009	9	180		220		440		6.75	0.9
012	12	320		400		700		9.00	1.2
024	24	1280		1600		2800		18.00	2.4

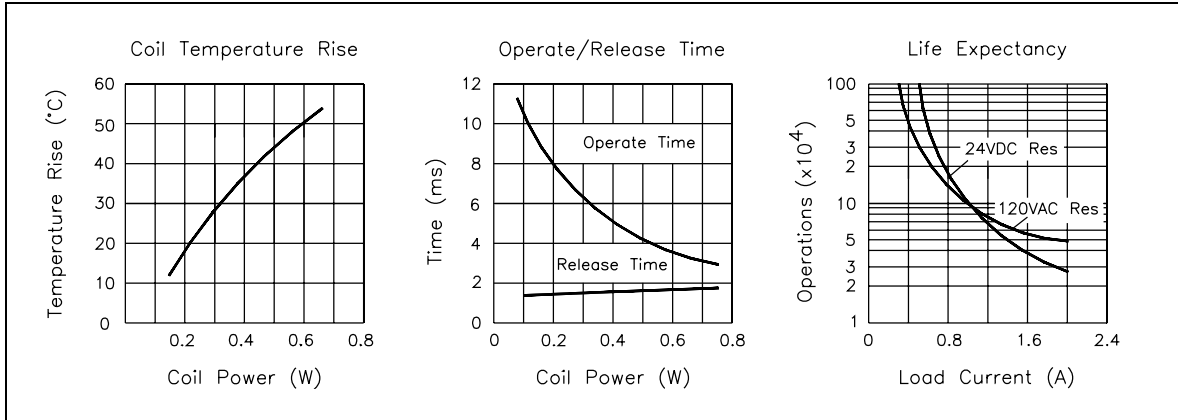
CHARACTERISTICS

Operate Time	5 ms. max.
Release Time	5 ms. max.
Insulation Resistance	100 MΩ, at 500 VDC, 50%RH
Dielectric Strength	1250 Vrms, 1 min. between coil and contacts 500 Vrms, 1 min. between open contacts; 750 Vrms, 1 min for S version
Surge Resistance	1500 V, between coil and contacts (FCC Part 68)
Shock Resistance	10g, 11ms. functional; 100g, destructive
Vibration Resistance	DA 1.5mm, 10 - 55Hz
Ambient Temperature	-25°C to 55°C
Weight	4g, approx.

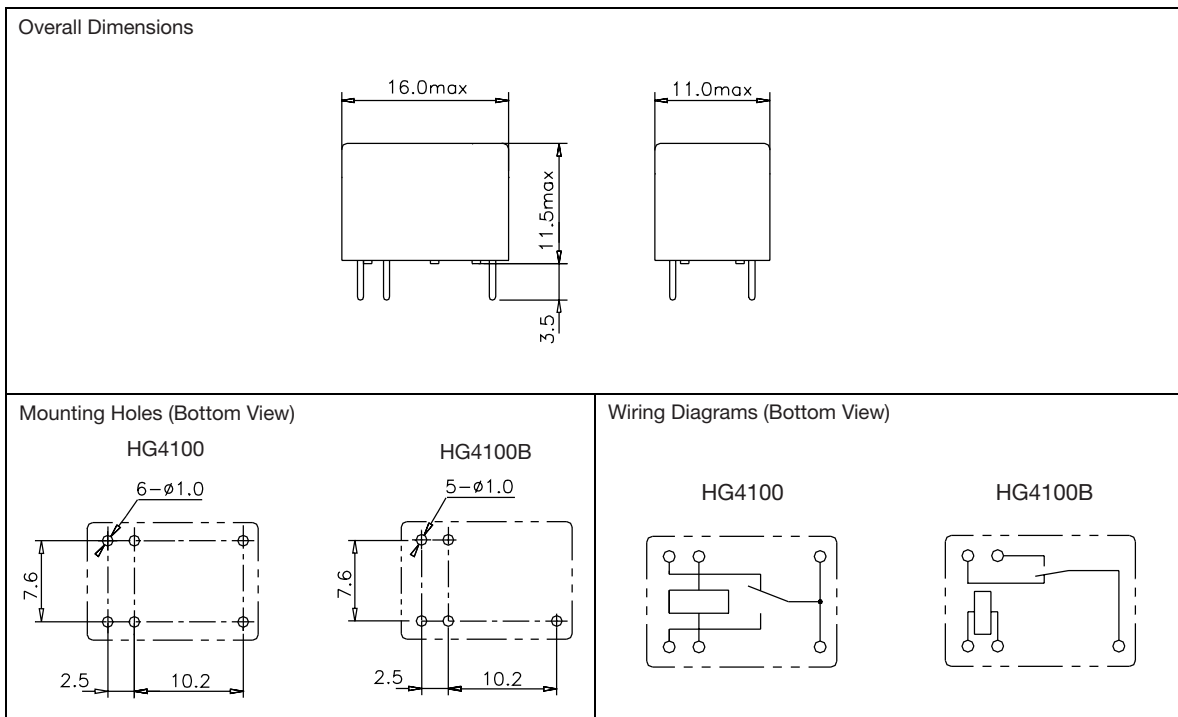
ORDERING DESIGNATION

Example:	HG4100	B /	012 -	1	H	S
Model						
Footprint						
HG4100: Regular						
HG4100B: Special						
Coil Voltage Code						
Version						
1: Sealed ; 2: Flux Free						
Coil Sensitivity						
Nil: Standard 0.36W; B: 0.45W; H: 0.2W						
Duty Version						
Nil: 2A; S: 5A						

## REFERENCE CURVES



## OVERALL DIMENSIONS, MOUNTING HOLES AND WIRING DIAGRAMS (mm)



## NOTES

1. All parameters, unless otherwise specified, are measured at ambient temperature 23°C.
2. Custom-made services available with operational quantity. Please let us know your special requirements.
3. Specifications subject to change without prior notice.