

# HDSL & MDSL MAGNETICS

For Level One

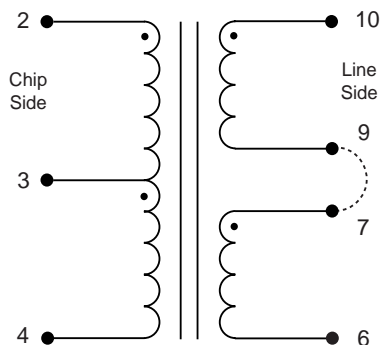
- Optimized for use with Level One's SK70704, SK70706, SK70707, SK70708, SK70720, SK70721 and LXX70301 transceiver ICs
- Designed for HDSL and MDSL environments supporting data rates from 272 Kb/s to 1168 Kb/s
- Designed to support modem, router and switch applications
- Minimum interwinding breakdown voltage of 1500 Vrms

## ELECTRICAL SPECIFICATIONS at 25° C

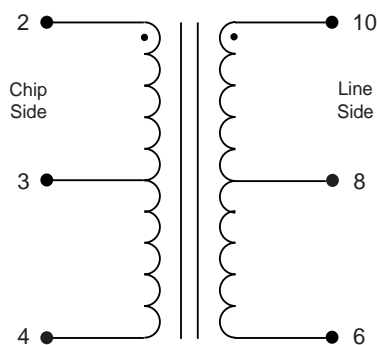
Part Number	Turns Ratio ± 3%	Inductance mH ±10%	Leakage Inductance μH max	DCR Ω max		Return Loss dB min	Harmonic Distortion dB typ
	Chip : Line	Line Side		Chip Side	Line Side		5KHz, 2.1Vrms
0560-6600-12	1CT : 1.8CT	2	4.5	2	3.8	40KHz - 320KHz 16.5	70
0560-6600-13	1CT : 1.8CT	2.75	4.5	2	3.8	40KHz - 200KHz 20	70
0560-6600-15	1CT : 1.8CT	2.75	6.0	3	6	40KHz - 200KHz 20	70
0560-6600-18	1CT : 1.8CT	11	15	3	6	----	70
0560-6600-23	1 : 1.8CT	5	9	3	6	40KHz - 200KHz 20	70

## SCHEMATICS

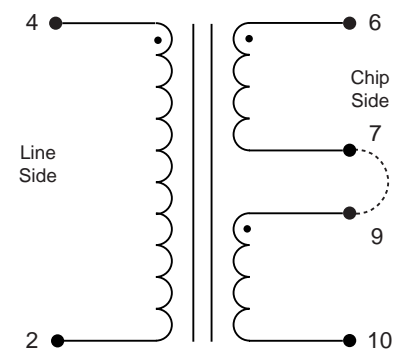
0560-6600-12  
0560-6600-13



0560-6600-15  
0560-6600-18



0560-6600-23

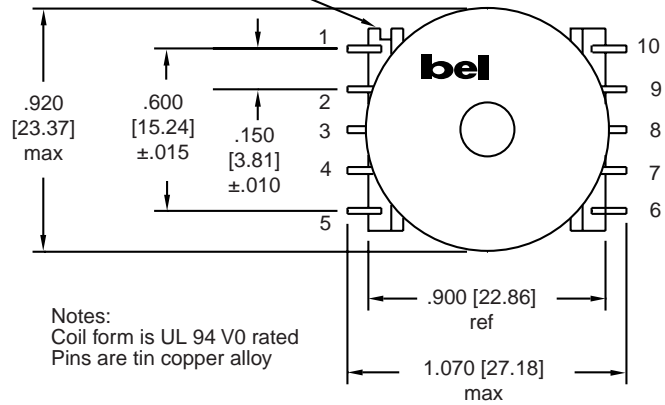
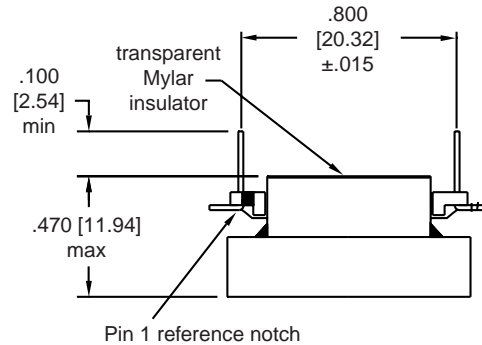


Pins 9 and 7 connected to  
form line side center tap

## HDSL & MDSL MAGNETICS For Level One

### MECHANICALS

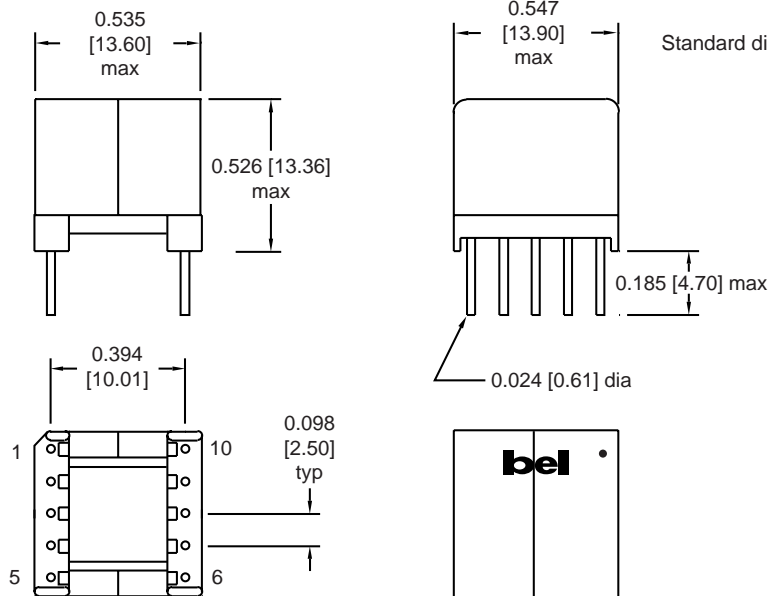
0560-6600-12  
0560-6600-13  
0560-6600-15  
0560-6600-18



Notes:  
Coil form is UL 94 V0 rated  
Pins are tin copper alloy

Standard dimension tolerance is  $\pm 0.005$  [0.13] unless otherwise noted.

0560-6600-23



Notes:  
Coil form is UL 94 V0 rated  
Pins are tin copper alloy

Standard dimension tolerance is  $\pm 0.005$  [0.13] unless otherwise noted.

©1999 Bel Fuse Inc. Specifications subject to change without notice. 06.99

#### CORPORATE

**Bel Fuse Inc.**  
198 Van Vorst Street  
Jersey City, NJ 07302  
Tel 201-432-0463  
Fax 201-432-9542  
www.belfuse.com

#### FAR EAST

**Bel Fuse Ltd.**  
8F / 8 Luk Hop Street  
San Po Kong  
Kowloon, Hong Kong  
Tel 852-2328-5515  
Fax 852-2352-3706  
www.belfuse.com

#### EUROPE

**Bel Fuse Europe Ltd.**  
Preston Technology Management Centre  
Marsh Lane, Suite F23, Preston  
Lancashire, PR1 8UD, U.K.  
Tel 44-1772-556601  
Fax 44-1772-888366  
www.belfuse.com