



LED SPECIFICATION

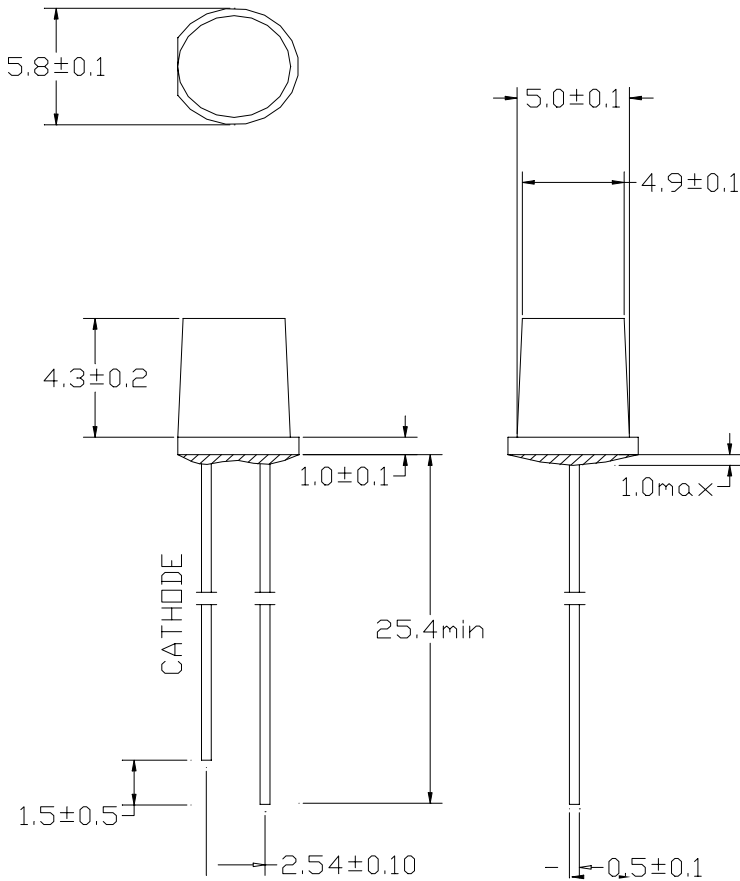
599MR2C

➤ Features:

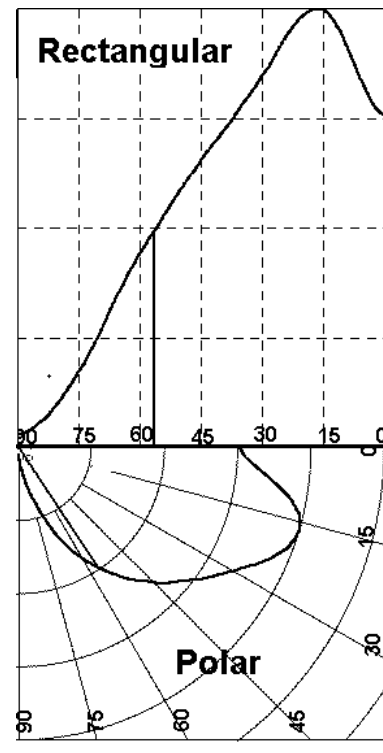
- Single color
- High bright output
- Large view angle
- Low power consumption
- High reliability and long life

➤ Descriptions:

- Dice material: AlGaInP
- Emitting Color: Super Bright Red
- Device Outline: ϕ 5mm Round Flat Top
- Lens Type: Water Clear



HALF LIGHT PATTERN:



1. All dimensions are millimeters: mm.
2. Tolerance is ± 0.25 mm unless otherwise noted.



LED SPECIFICATION

599MR2C

➤ Absolute maximum ratings (Ta = 25°C)

| Parameter | Symbol | Test Condition | Values | | Unit |
|-----------------------|-------------------|-------------------------|--------|------|------|
| | | | Min. | Max. | |
| Reverse Voltage | V _R | I _R = 30 μ A | 5 | -- | V |
| Forward Current | I _F | ---- | ---- | 30 | mA |
| Power Dissipation | P _d | ---- | ---- | 75 | mW |
| Pulse Current | I _{peak} | Duty=0.1mS, 1kHz | ---- | 100 | mA |
| Operating Temperature | T _{opr} | ---- | -20 | +85 | °C |
| Storage Temperature | T _{str} | ---- | -25 | +100 | °C |

➤ Electrical and optical characteristics (Ta = 25°C)

| Parameter | Symbol | Test Condition | Values | | | Unit |
|--------------------------|----------------|----------------------|--------|------|------|------|
| | | | Min. | Typ. | Max. | |
| Forward Voltage | V _F | I _F =20mA | ---- | 2.0 | 2.5 | V |
| Reverse Current | I _R | V _R =5V | ---- | ---- | 30 | μ A |
| Dominate Wavelength | λ _d | I _F =20mA | 620 | 624 | 630 | nm |
| Peak Wavelength | λ _p | I _F =20mA | ---- | 632 | ---- | nm |
| Spectral Line half-width | Δ λ | I _F =20mA | ---- | 20 | ---- | nm |
| Luminous Intensity | I _v | I _F =20mA | | BIN | ---- | mcd |
| Viewing Angle | 2 θ 1/2 | I _F =20mA | ---- | 100 | ---- | deg. |

➤ Luminous Intensity Bins (Ta = 25°C)

Unit:mcd

| Bin | L | M | N | P |
|-----|-----|-----|-----|-----|
| Min | 102 | 145 | 200 | 280 |
| Max | 145 | 200 | 280 | 390 |



LED SPECIFICATION

599MR2C

➤ Typical electrical/optical characteristic curves:

