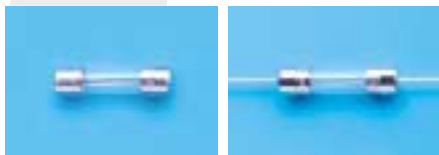


Type 5ET / 5ETP

5 x 20mm Glass Tube
RoHS Compliant

Time-lag Fuse Series (High Surge-proof, Enhanced-breaking Capacity)

5ETDI105



Electrical Characteristics (IEC-127-2 STANDARD SHEET 6)

| Rated Current | 1.5 In | | 2.1 In | | 2.75 In | | 4 In | | 10 In | |
|---------------|--------|------|--------|-----|---------|-----|------|-----|-------|-----|
| | MIN | MAX | MIN | MAX | MIN | MAX | MIN | MAX | MIN | MAX |
| 1A to 12A | 1 | 2 | 600 | 10 | 150 | 3 | 20 | 300 | | |
| | hr. | min. | ms | sec | ms | sec | ms | ms | | |

Approvals



| Safety Agency Approvals | Amp range / Volt @ I.R. ability |
|-------------------------------------------------------------------------------------------------------------------|---------------------------------------------------------|
| Certificate No. 9710054 Certificate No. 401380 | 1A - 6.3A / 250V AC @ 150A 8A - 12A / 250V AC @ 150A |
| Licence No. 40007746 Recognized File No. E20624 Acceptance File No. LR39772 Licence No. 2003010207030342 | 1A - 6.3A / 250V AC @ 150A |

RoHS Compliant Product

For RoHS Compliant Version, add suffix "R" after catalog number

Operating Temperature

-55°C to +125°C

Physical Specification

Materials

Glass body / Nickel Plated Brass Caps

Lead wire:

Tin plated copper alloy,

Diameter 0.032", 6.3A and less

Diameter 0.040", 8A and above

Marking

On fuse:

"bel", "T", "Current Rating", "E", "250V",
"Appropriate Safety Logos", "✓" (RoHS Version)

On label:

"bel", "5ET" or "5ETP", "Current Rating", "Voltage Rating", "Interrupting Rating", "Appropriate Safety Logos" and "R" suffix "R" for RoHS Version

| Catalog Number | RoHS Suffix | Ampere Rating | Typical Cold Resistance (ohm) | Volt-drop @100% In (Volt) max. | Melting I ² T < 10 mSec (A ² Sec) | Melting I ² T @ 10 In (A ² Sec) | Maximum Power Dissipation (W) |
|----------------|-------------|---------------|-------------------------------|--------------------------------|---------------------------------------------------------|-------------------------------------------------------|-------------------------------|
| 5ET (P) 1 | -R | 1A | 0.110 | 0.14 | 28 | 29 | 0.42 |
| 5ET (P) 1.25 | -R | 1.25A | 0.080 | 0.13 | 42 | 43 | 0.42 |
| 5ET (P) 1.6 | -R | 1.6A | 0.059 | 0.12 | 62 | 64 | 0.51 |
| 5ET (P) 2 | -R | 2A | 0.043 | 0.11 | 92 | 95 | 0.61 |
| 5ET (P) 2.5 | -R | 2.5A | 0.031 | 0.11 | 137 | 142 | 0.74 |
| 5ET (P) 3.15 | -R | 3.15A | 0.022 | 0.10 | 203 | 211 | 0.90 |
| 5ET (P) 4 | -R | 4A | 0.016 | 0.095 | 300 | 313 | 1.08 |
| 5ET (P) 5 | -R | 5A | 0.012 | 0.090 | 444 | 465 | 1.31 |
| 5ET (P) 6.3 | -R | 6.3A | 0.009 | 0.084 | 658 | 691 | 1.58 |
| 5ET (P) 8 | -R | 8A | 0.007 | 0.079 | 252 | 277 | 3.11 |
| 5ET (P) 10 | -R | 10A | 0.005 | 0.075 | 400 | 440 | 3.68 |
| 5ET (P) 12 | -R | 12A | 0.003 | 0.070 | 635 | 699 | 4.36 |

Consult manufacturer for other ratings

Packaging

1. In bulk:

5ET - 1,000 pcs per box; 5ETP - 500 pcs per box

2. On Axial Tape & Reel:

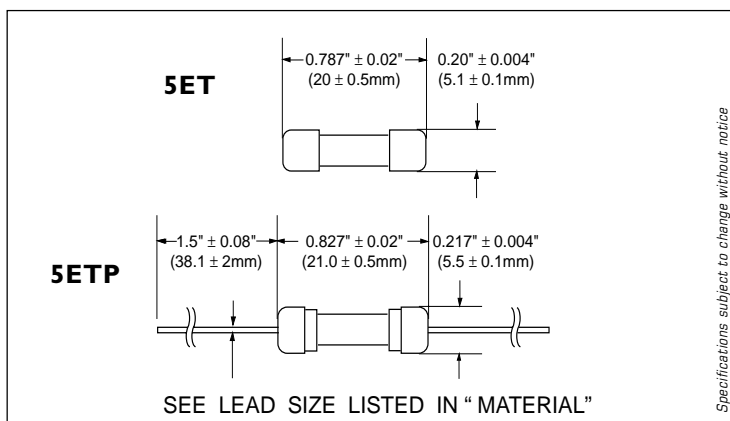
1,500 pcs per reel

3. Tape & Reel specification:

per EIA-296-E & IEC 286-1

@ 10mm Pitch and 63.5mm inside Tape Spacing

Mechanical Dimensions



ORDERING INFORMATION SEE LAST 2 PAGES

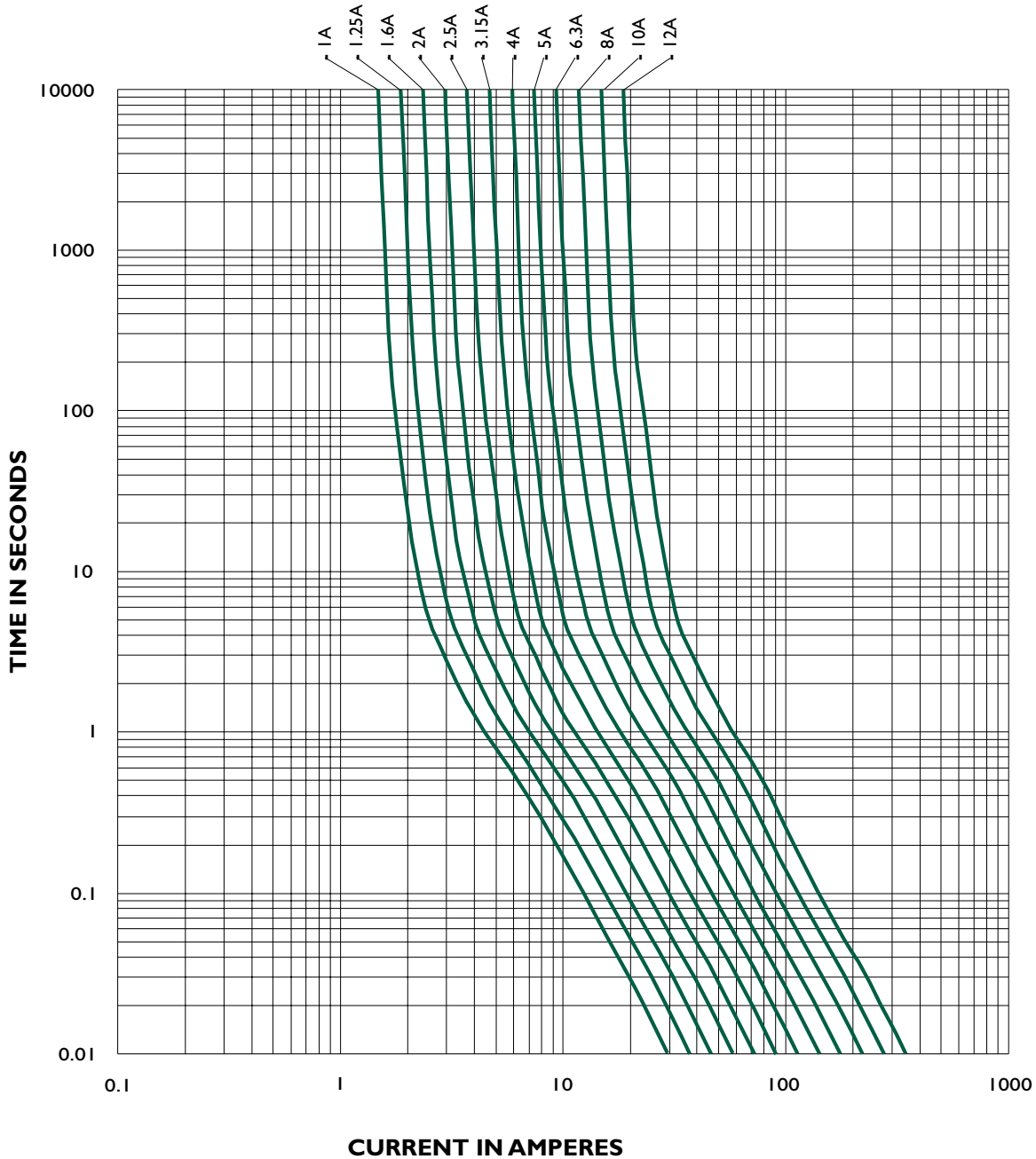
Type 5ET / 5ETP

5 x 20mm Glass Tube
RoHS Compliant

Time-lag Fuse Series (High Surge-proof, Enhanced-breaking Capacity)

5ETC0405

5ET / 5ETP - TIME CURRENT CHARACTERISTIC CURVE



Specifications subject to change without notice

NOTE - see important information under "User Guide" on P.08

Corporate Office

Bel Fuse Inc.
206 Van Vorst Street, Jersey City, NJ 07302
Tel: 201-432-0463
Fax: 201-432-9542
E-Mail: belfuse@belfuse.com
Website: www.belfuse.com

Far East Office

Bel Fuse Ltd.
8F/8 Luk Hop Street
San Po Kong
Kowloon, Hong Kong
Tel: 852-2328-5515
Fax: 852-2352-3706

European Office

Bel Fuse Europe Ltd.
Preston Technology Management Centre
Marsh Lane, Preston PR1 8UD
Lancashire, U.K
Tel: 44-1772-556601
Fax: 44-1772-888366