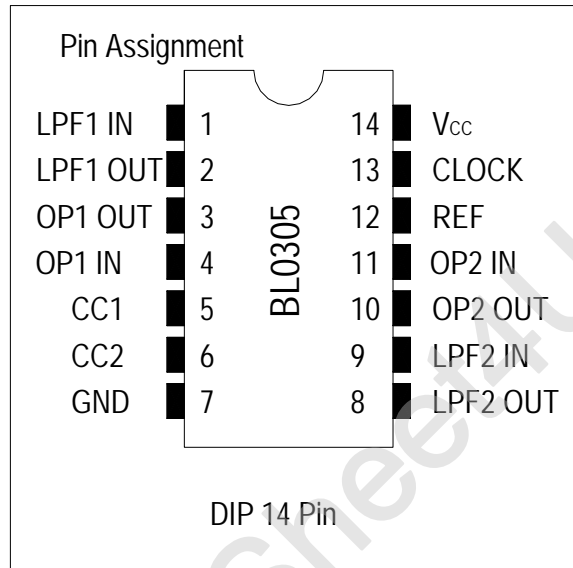


Description

The BL0305 is a CMOS IC for generating echo to be added to the voice through a “karaoke” microphone. It is designed for the lowest price of models in the same series, and is suitable for application to the echo generator of a radio cassette player, minicomponent stereo set, TV etc. Increased master clock frequency assures high-performance short delay, enabling the IC to be used for digital surround (Compatible with M65844P).



Features

- All functions necessary for generating digital echo are contained, enabling production of low-priced echo generator.
- C-R oscillation circuit is provided for a master clock,
- Built-in auto power-on reset circuit.
- No control signal is required.
- Delay time=150msec(with master clock set at 220 kHz)
- 14-pin DIP package.(14PDIP)

Application

KARAOKE, TV, VCR. Radio-Cassette Tape Recorder etc.

