

THE INFORMATION CONTAINED HEREIN IS CONSIDERED "PROPRIETARY" TO BEL FUSE INC. AND SHALL NOT BE COPIED, REPRODUCED OR DISCLOSED WITHOUT THE WRITTEN APPROVAL OF BEL FUSE INC.

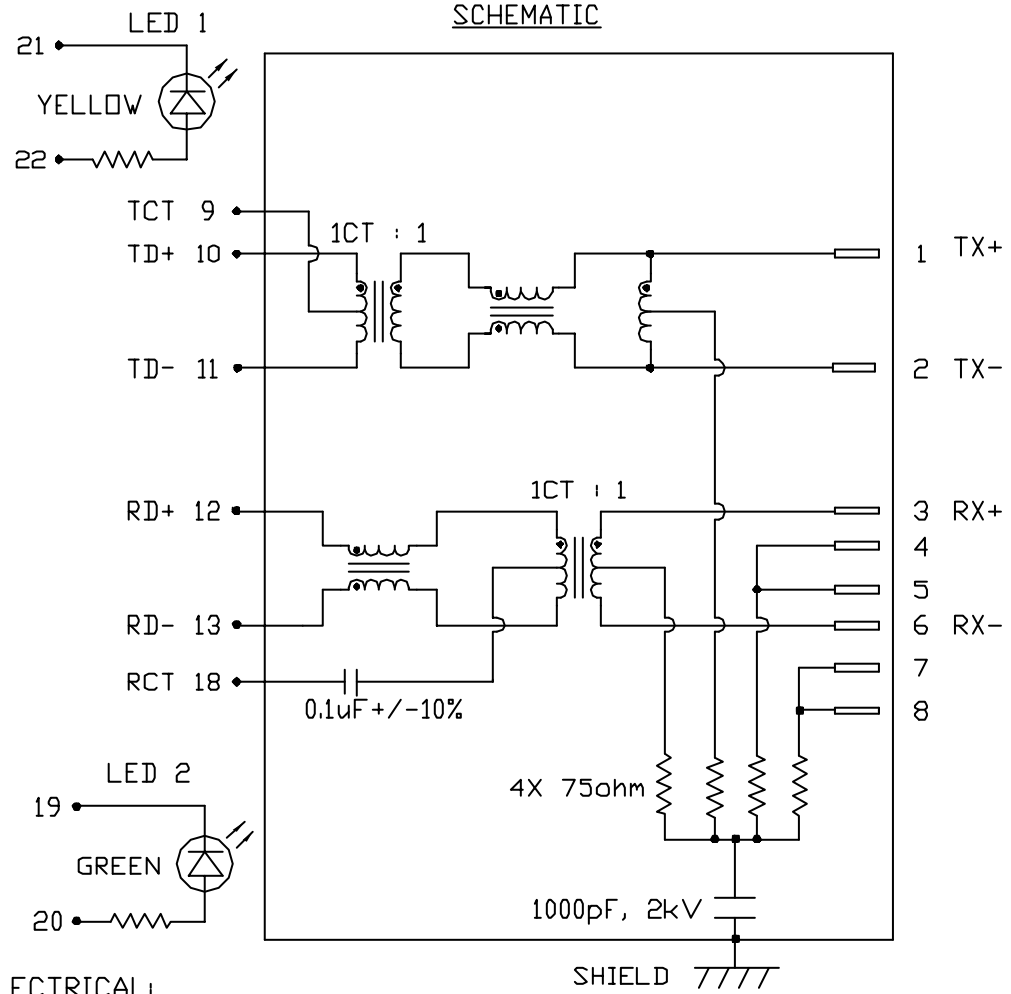
LED2 POLARITY			LED1 POLARITY		
PIN 19	PIN 20	COLOR	PIN 21	PIN 22	COLOR
-	+	GREEN	-	+	YELLOW

PRELIMINARY

ELECTRICAL CHARACTERISTICS @ 25°C

<p> URNS RATIO TX 1CT : 1CT ±3% RX 1CT : 1CT ±3% QCL @ 100kHz,100mVRMS 8mA DC BIAS 350uH MIN INS. LOSS 100kHz TO 100MHz -1.0 dB MAX RET. LOSS (MIN) 1MHz-30MHz -20 dB 30MHz-60MHz $-[19-20\text{LOG}(F/30\text{MHz})]$ dB 60MHz-80MHz -12 dB CM TO CM REJ 100kHz - 100MHz -30 dB MIN 100MHz - 130MHz -20 dB MIN CROSS TALK 1MHz - 65MHz -35 dB MIN 65MHz - 100MHz -30 dB MIN HIPOT (Isolation Voltage): 1500 Vrms LEAKAGE INDUCTANCE PRIMARY W/ SECONDARY 0.3uH Max. @ 1MHz INTERWINDING CAPACITANCE PER CHANNEL (PRI. TO SEC.) 30pF Max @ 1MHz DC RESISTANCE (RJ1-RJ2)=(RJ3-RJ6) 1.2 ohms Max </p>	
---	--

<p> LED 1 VF (FORWARD VOLTAGE) IF=20mA YELLOW 2.1V TYP. λD (DOMINANT WAVELENGTH) IF=20mA YELLOW 590nm TYP. LED 2 VF (FORWARD VOLTAGE) IF=20mA GREEN 2.2V TYP. λD (DOMINANT WAVELENGTH) IF=20mA GREEN 565nm TYP. </p>	<p> USB ELECTRICAL: INSULATION RESISTANCE: 1000 MEG Ω(MIN) CONTACT RESISTANCE: 25 MILLI Ω(MAX) DIELECTRIC WITHSTANDING: 750 VAC </p>
---	--

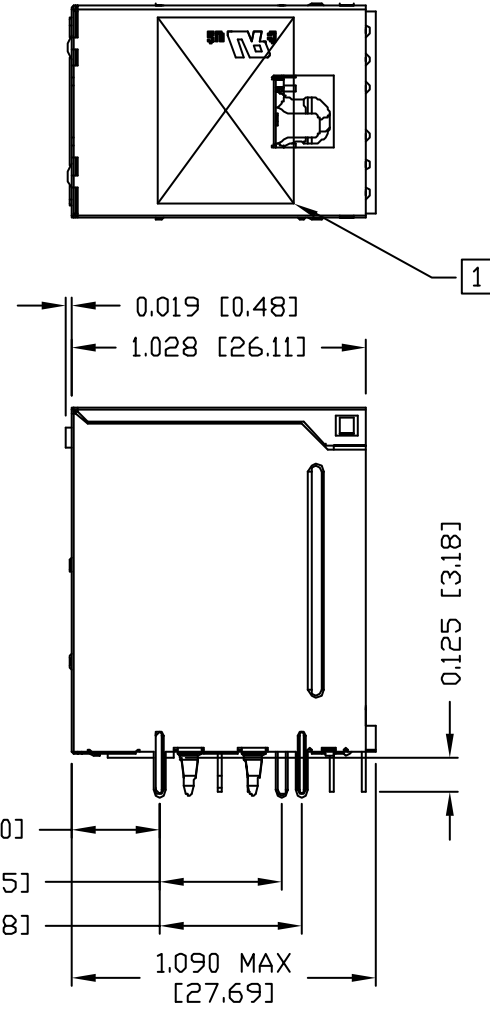
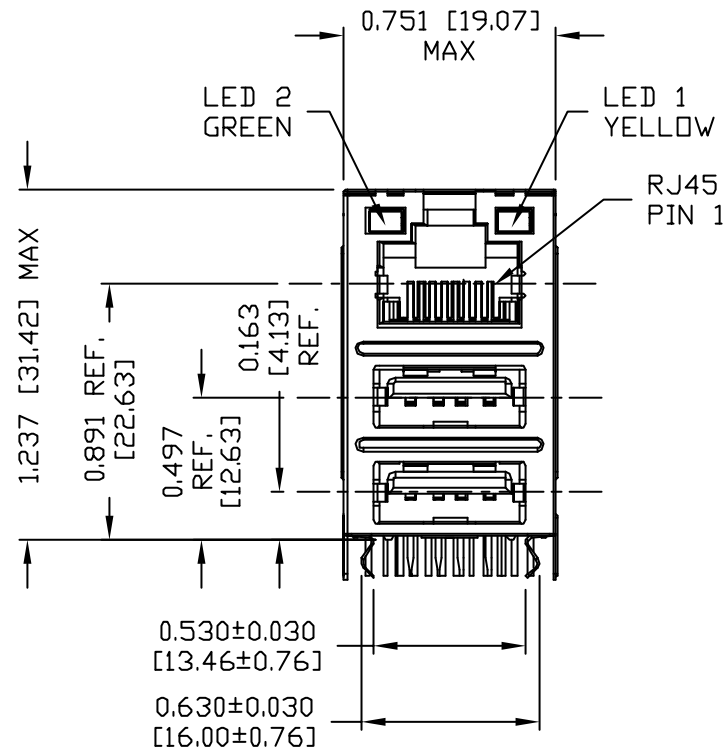


<p> DRWN CHUN DATE 07-30-04 TITLE MagJack™ Combo (Staggered pin) </p>	<p> PART NO. / DRAWING NO. C893-1AX1-E1 FILE NAME C8931AX1E1PB.DWG </p>	<p> STANDARD DIM. TOL. IN INCH .X .XX .XXX </p>	<p> [] METRIC DIM. AS REFERENCE UNIT : INCH [mm] SCALE : N/A REV. : PB SIZE : A4 PAGE : 2 </p>	<p> bel COMPONENTS FOR A CONNECTED PLANET </p>
--	--	---	---	--

THE INFORMATION CONTAINED HEREIN IS CONSIDERED "PROPRIETARY" TO BEL FUSE INC. AND SHALL NOT BE COPIED, REPRODUCED OR DISCLOSED WITHOUT THE WRITTEN APPROVAL OF BEL FUSE INC.

PRELIMINARY

MECHANICAL SPECIFICATION



DRWN MEI	DATE 07-30-04	TITLE MagJack™ Combo (Staggered pin)
CHKD TAO/KEUNG	DATE 07-30-04	

PART NO. / DRAWING NO. C893-1AX1-E1
FILE NAME C8931AX1E1PB.DWG

STANDARD DIM. TOL. IN INCH		[] METRIC DIM. AS REFERENCE	
.X		UNIT : INCH [mm]	REV. : PB
.XX		SCALE : N/A	SIZE : A4
.XXX	±0.010		PAGE : 3

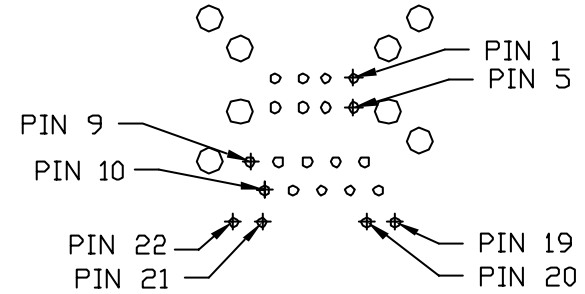
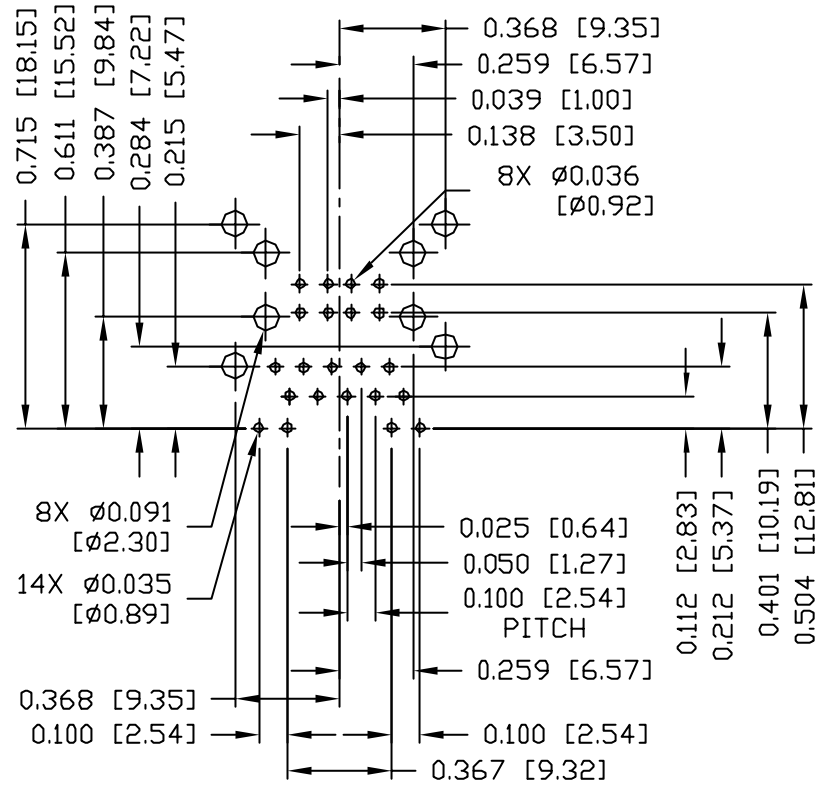
UNIT : INCH [mm]	REV. : PB
SCALE : N/A	SIZE : A4
	PAGE : 3



THE INFORMATION CONTAINED HEREIN IS CONSIDERED "PROPRIETARY" TO BEL FUSE INC. AND SHALL NOT BE COPIED, REPRODUCED OR DISCLOSED WITHOUT THE WRITTEN APPROVAL OF BEL FUSE INC.

PRELIMINARY

Recommended PCB footprint
Component Side



RJ45 MECHANICAL:

PLASTIC HOUSING:

CONTACTS PLATING:

PINS:

METAL SHIELD:

THERMOPLASTIC PBT
FLAMMABILITY RATING UL 94V-0
50 MICRO-INCH HARD GOLD PLATING
TIN-COATED CP WIRE, DIA 0.018 INCH.
TIN PLATED ON COPPER ALLOY,

USB MECHANICAL:

MATING FORCE:

UNMATING FORCE:


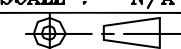
CONTACTS PLATING:

35 NEWTONS MAXIMUM
10 NEWTONS MINIMUM
PROSPHER BRONZE, GOLD PLATING ON
CONTACT AREA AND TIN ON SOLDER TAIL.

 US UL RECOGNIZED - FILE #E196366 AND E169987.

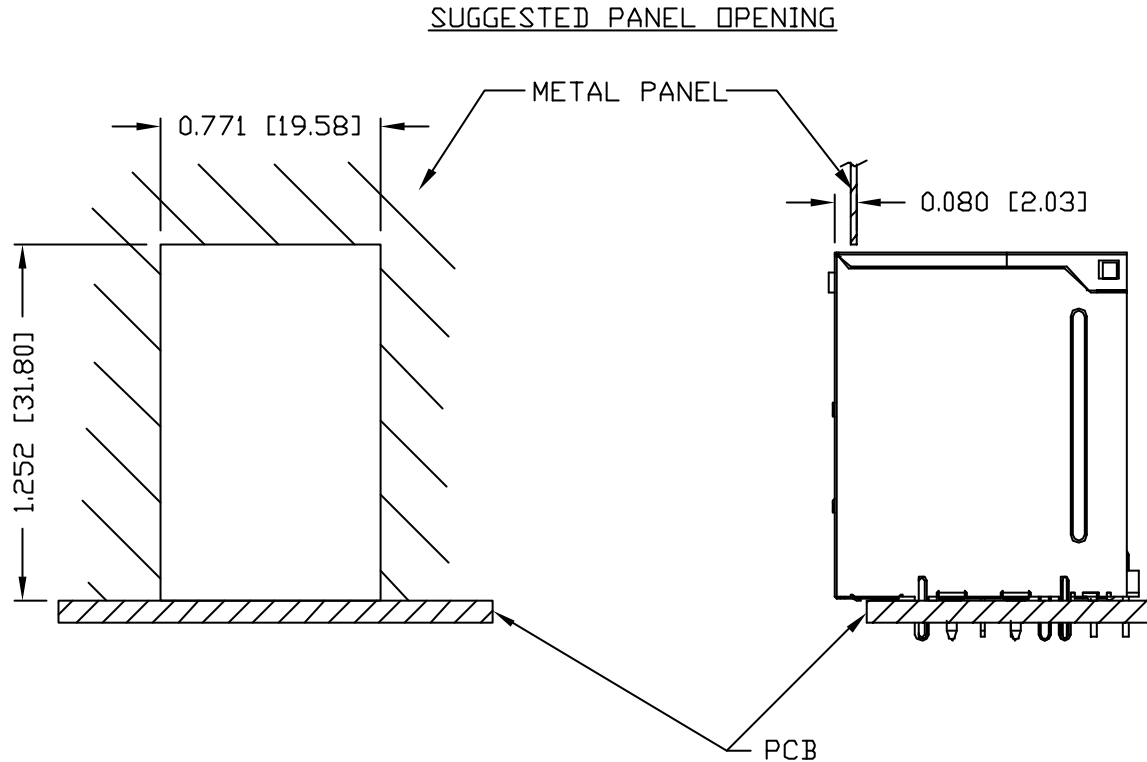
RoHS COMPLIANCE, PER EU DIRECTIVE 2002/95/EC.

1. MARK PART WITH MFG LOGO, MFG NAME, PART NUMBER, AND DATE CODE.

DRWN	DATE	TITLE	PART NO. / DRAWING NO.	STANDARD DIM.		[] METRIC DIM. AS REFERENCE		REV. : PB	bel
				TOL. IN INCH		UNIT : INCH [mm]	SIZE : A4		
MEI	07-30-04	MagJack™ Combo (Staggered pin)	C893-1AX1-E1	.X		SCALE : N/A	SIZE : A4	PAGE : 4	
CHKD	DATE			FILE NAME	.XX				
TAD/KEUNG	07-30-04		C8931AX1E1PB.DWG	.XXX	±0.010				

THE INFORMATION CONTAINED HEREIN IS CONSIDERED "PROPRIETARY" TO BEL FUSE INC. AND SHALL NOT BE COPIED, REPRODUCED OR DISCLOSED WITHOUT THE WRITTEN APPROVAL OF BEL FUSE INC.

PRELIMINARY



NOTE:

THE DISTANCE OF PANEL INSIDE SURFACE RELATIVE TO FRONT SURFACE OF PART IS ONLY A SUGGESTION. IN CASE THIS DISTANCE IS DIFFERENT, THE REQUIRED PANEL OPENING DIMENSIONS CHANGE ACCORDINGLY.

PACKING INFORMATION

PACKING TRAY : 0200-9999-H3 (TOP)
 0200-9999-H4 (BOTTOM)
 PACKING QUANTITY : 35 PCS FINISHED GOODS PER TRAY
 10 TRAY (350 PCS FINISHED GOODS) PER CARTON BOX

NOTE : CARDBOARDS ARE PLACED BETWEEN LAYERS OF PACKING TRAY INSIDE CARTON BOX
 (INCLUDE THE UPPERMOST AND LOWERMOST TRAY)

DRWN	DATE	TITLE	PART NO. / DRAWING NO.	STANDARD DIM. TOL. IN INCH		[] METRIC DIM. AS REFERENCE		REV. : PB	bel
				.X	.XX	.XXX	UNIT : INCH [mm]		
MEI	07-30-04	MagJack™ Combo (Staggered pin)	C893-1AX1-E1			±0.005			COMPONENTS FOR A CONNECTED PLANET
CHKD	07-30-04			FILE NAME					
TAD/KEUNG			C8931AX1E1PB.DWG						