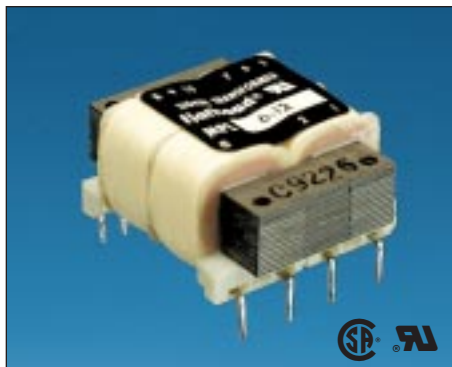


# Printed Circuit Triple Output Transformers Low Profile Printed Circuit Mount



For 5 VDC and  $\pm 12$  VDC or  $\pm 15$  VDC Regulated Power



### MPL Series

#### General Specifications

- Power – 6 VA and 12 VA
- Dielectric Strength – 1500VRMS Hipot
- Primaries – Dual primaries (115/230V nominal - 50/60 Hz)  
Input range (100V to 130V or 200V to 260V - 50/60 Hz)
- Secondaries – Dual complementary outputs (5 VDC with  $\pm 12$  VDC or 5 VDC with  $\pm 15$  VDC)
- Electrostatic Shield – Not necessary, split bobbin construction
- Magnetic Field – Reduced magnetic radiation
- Height – .85 and 1.065 inches high
- Insulation – Class B insulation (130°C)

#### Agency Standards

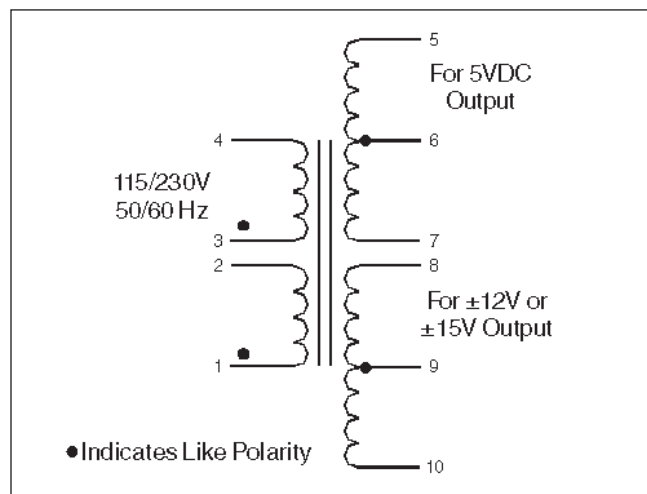
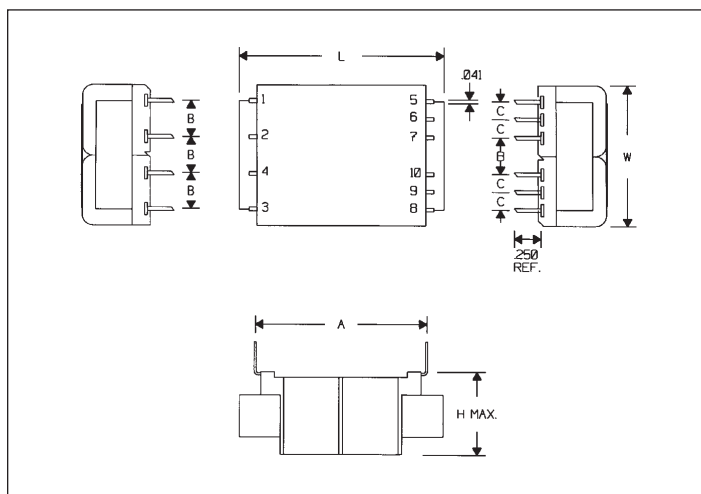
- UL recognized to UL 506 (File #E63829)
- CSA certified to C22.2 #66 (File #LR 51265)

### MPL TYPES (Dual 115/230V Primary is Standard)

Part Number Primary 50/60 Hz	DC Output		VA (Size)	Suggested Components							
	Regulator I	Regulator II		C <sub>1</sub>	C <sub>2</sub>	C <sub>3</sub>	C <sub>4</sub>	D <sub>1</sub> (2)	D <sub>2</sub> (4)	IC <sub>1</sub> *	IC <sub>2</sub> *
MPL-6-12	5 VDC 135mA	$\pm 12$ VDC 40mA	6	1000MFD 20V	2.7MFD 20V	150MFD 50V	10MFD 20V	1N4001	1N4002	LM342P-5.0	LM326N
MPL-6-15	5 VDC 135mA	$\pm 15$ VDC 35mA	6	1000MFD 20V	2.7MFD 20V	150MFD 50V	10MFD 20V	1N4001	1N4002	LM342P-5.0	LM325N
MPL-12-12	5 VDC 270mA	$\pm 12$ VDC 85mA	12	2100MFD 30V	2.7MFD 20V	250MFD 50V	10MFD 20V	1N4001	1N4002	LM341P-5.0	LM326N
MPL-12-15	5 VDC 270mA	$\pm 15$ VDC 70mA	12	2100MFD 30V	2.7MFD 20V	250MFD 50V	10MFD 20V	1N4001	1N4002	LM341P-5.0	LM325N

\*National Semiconductor

VA (Size)	L	W	H	A	B	C	Wgt
6	1.87" 47.6mm	1.56" 39.7mm	0.850" 21.6mm	1.600" 40.6mm	0.375" 9.5mm	0.187" 4.7mm	0.43 lbs 0.20 kg
12	2.50" 63.5mm	2.00" 50.8mm	1.065" 27.1mm	2.000" 50.8mm	0.500" 12.7mm	0.250" 6.4mm	0.68 lbs 0.31kg



**Signal Transformer**

CALL: 516-239-5777 • FAX: (24hrs) 516-239-7208

500 Bayview Avenue, Inwood, New York 11096