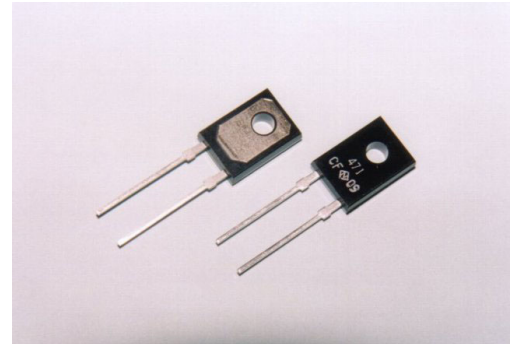


TO126 20W HIGH POWER RESISTORS

RNP-10S

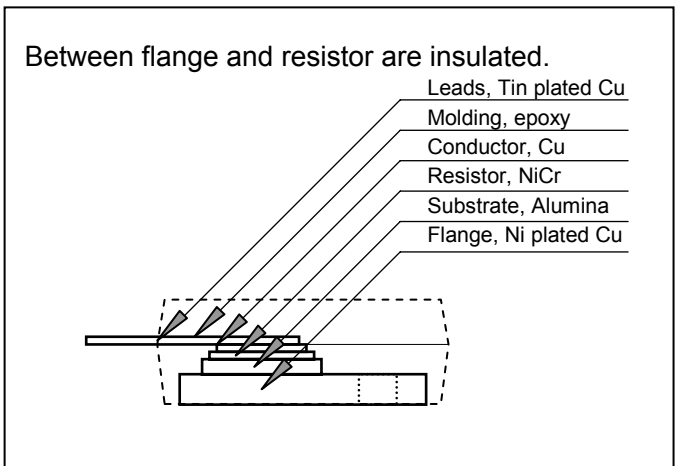
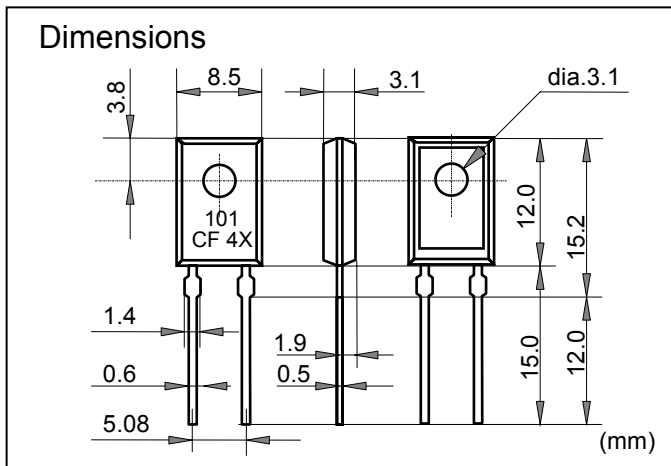


DB LECTRO
COMPOSANTS ÉLECTRONIQUES
ELECTRONIC COMPONENTS



Features and Applications

- Small 20Watt high power resistor in TO-126 package with 5.9 C/W heat resistance from hot spot to flange.
- Non-Inductive, fit for high speed SW power sources, high precision CRT and high-speed pulse handling circuits.
- Thin style in small package suits high density installation of electronic instruments.
- Superior vibration durability with heat sink mounting.
- Complete thermal flow design available.
- Color video amplifier of CRTs, emitter resistors of power SW circuits, snubber circuits, VHF amplifiers, load resistor of pulse generators.



Specifications and Performances

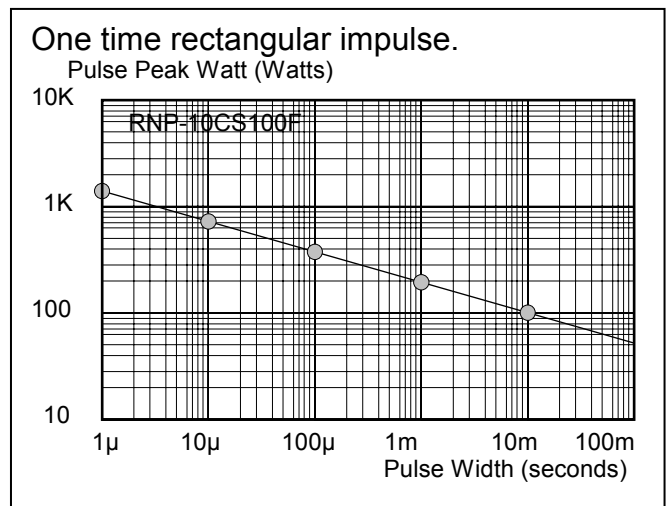
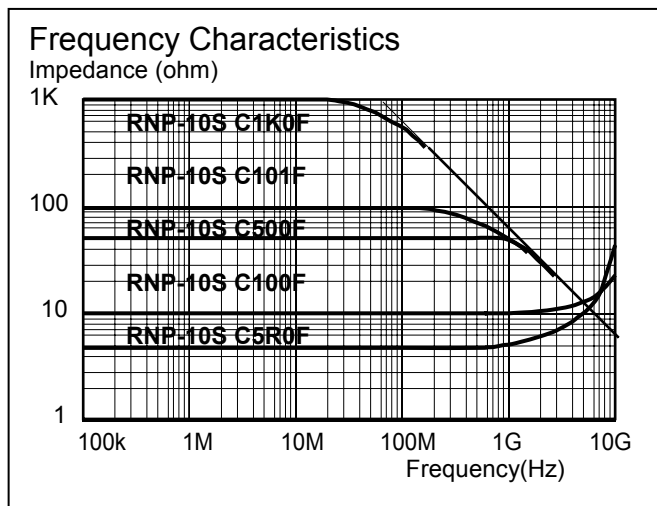
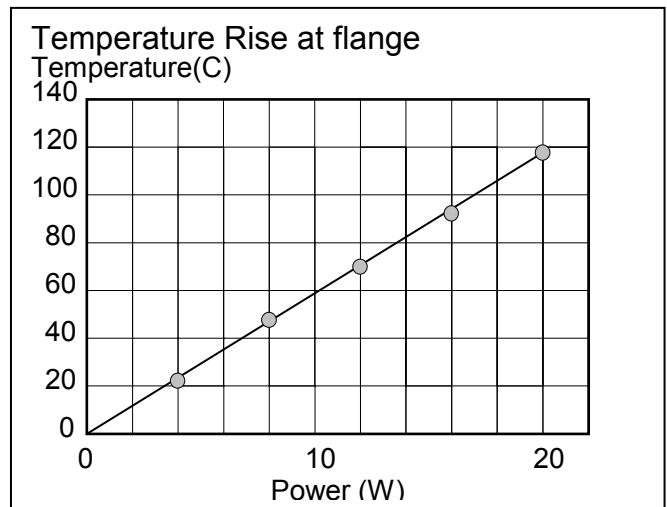
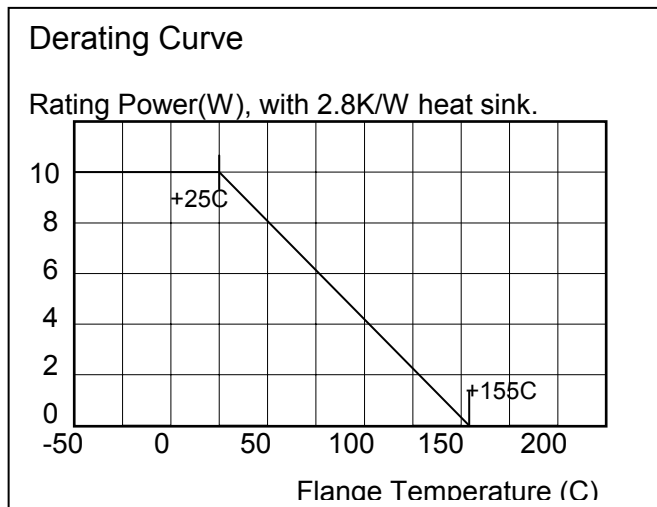
Items	Specification-Performance		Test Conditions
Rating Power	20 Watts		Flange temperature of -55 C to +25 C
Rating Power	1 Watt		Free air (without heat sink).
Hear resistance	5.9 C/W		From hot spot to flange.
Resistance Range	1.0-9.1ohm	10-220ohm	Up to 51kohm resistance are available. Note(6)
Nominal Resistance	E24	E24	
TCR	+/-100 ppm/C(A)	+/-50 ppm/C(C)	Flange temperature -55 to +155 C
Tolerance	+/-5%(J)	+/-1%(F)	
Operation Temp. Range	-55 C to +155 C		
Withstanding Voltage	2000 Volt DC		60 seconds, between terminals and flange.
Load Life	+/- (1.0 % + 0.05ohm)		25C, 90 min.ON, 30min.OFF, 1000hours.
Humidity	+/- (1.0 % + 0.05ohm)		60C, 90 to 95%RH, DC0.1W, 1000hours.
Soldering Heat	+/- (1.0 % + 0.05ohm)		350+/-5C, 3seconds,
Solder ability	Over 3/4 of surface		230+/-5C, 3seconds.
Insulation Resistance	Over 1000 Meg ohm		Between terminals and flange.
Vibration	+/- (0.25 %)		

HIGH POWER RESISTORS

RNP-10S

Ordering Information

Identification	Type	TC	Resistance	Tolerance	Code
RNP10SC500F000	RNP10S	C(50ppm/C)	50ohm	F(1%)	000
RNP10SC500FZ00	RNP10S	C(50ppm/C)	50ohm	F(1%)	Z00 (Z: Lead-free)
RNP10SC101F010	RNP10S	C(50ppm/C)	100ohm	F(1%)	010
RNP10SC101FZ10	RNP10S	C(50ppm/C)	100ohm	F(1%)	Z10(Z: Lead-free)
RNP10SA0R1J000	RNP10S	A(100ppm/C)	0.1ohm	J(5%)	000



Notes

- (1) Insulating material will not be used between flange and resistors, because flange and resistor are separated by alumina substrate.
- (2) Using heat conduction grease on surface of tab is recommended.
- (3) Heat resistance between resistor and tab is 3.6K/W, heat design will be performed as resistor temperature shall be under 155 C in operation.
- (4) 0.1% tolerance resistors are available, please call factory.
- (5) For application to r-f circuit, RMP10S (smd) or lead formed RNP10S are prepared, RNP10S or RMP10S are screw mount style. When soldering mount is better, please use RMP20S.
- (6) At resistance from 220 to 51kohms rating power shall be restricted in 10W.