

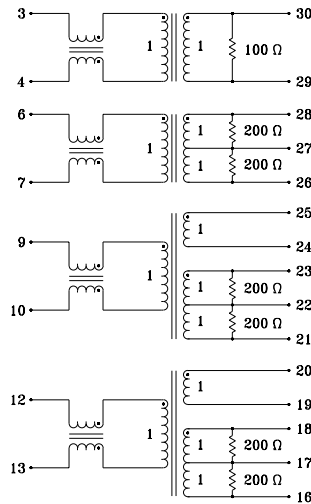
HIGH SPEED LAN MAGNETICS 100BASE-T4MODULE

- Designed for Broadcom's BCM5100 100Base-T4 PHY transceiver
- Complies with IEEE 802.3u standards, 100 Mbps over category 3, 4 or 5 UTP cable
- Robust surface mount packaging, rated for 225°C peak IR reflow temperature
- Internal termination resistors

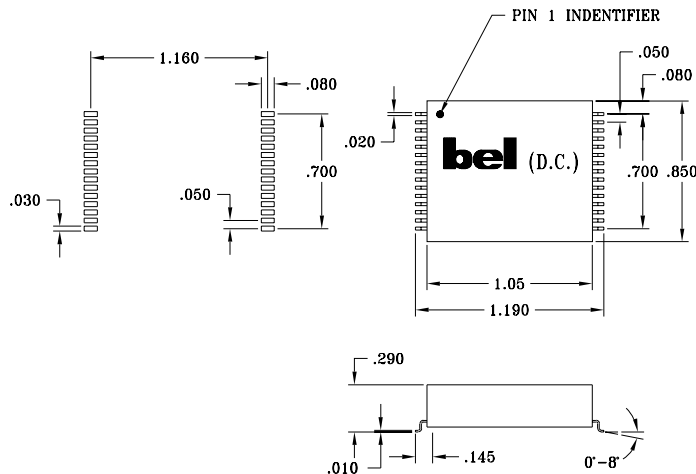
ELECTRICALS AT 25°C

Part No.	Insertion Loss (dB) Max	Return Loss (dB) Min	Crosstalk (dB) Min	Common to Common Mode Rej (dB) Min			Hipot (Vrms)
	2MHz-12.5MHz	2MHz-12.5MHz	2MHz-12.5MHz	1-30MHz	60MHz	100MHz	
S558-5999-94	-1.0	-18	-35	-30	-30	-20	1500

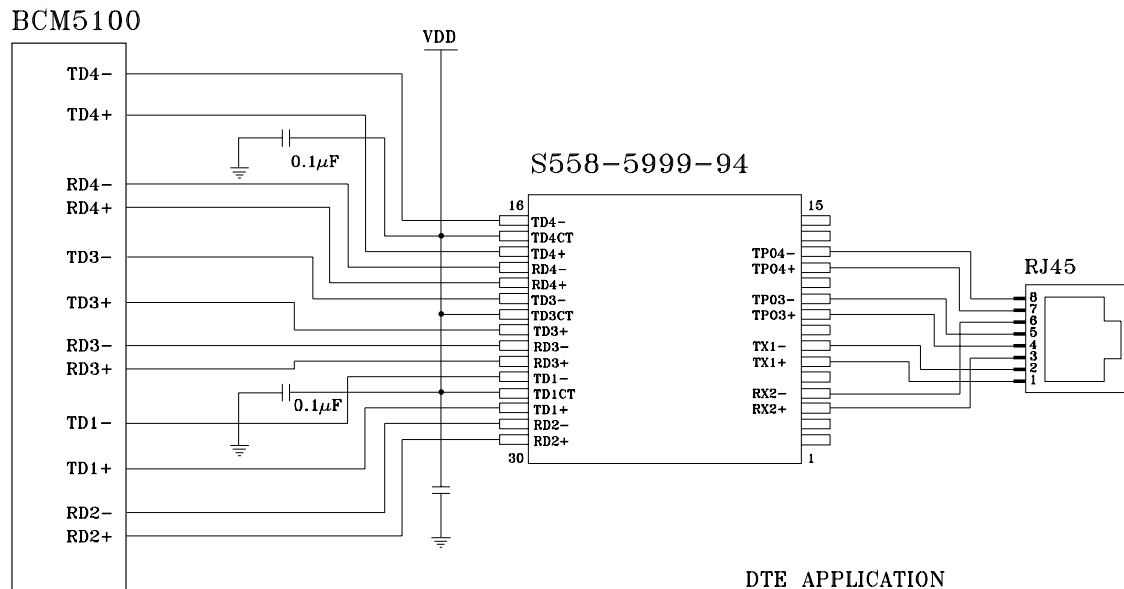
SCHEMATIC



MECHANICAL



Specifications subject to change without notice.

**HIGH SPEED LAN MAGNETICS
100BASE-T4 MODULE****APPLICATION CIRCUIT****DTE APPLICATION**

NOTE: Please consult Broadcom for detail circuit schematic

APPLICATION NOTES

- The S558-5999-94 has been designed for use with Broadcom's BCM5100, 100Base-T4 chipset in category 3, 4 or 5 UTP/STP cable system applications, and can be used for either adapter cards or multi-port repeaters. The design of the S558-5999-94 provides each wired connection with high voltage isolation, wave shaping, fast but controlled rise times, EMI and common mode noise suppression.
- Bel's low profile, surface mount packaging is ideal for high speed pick and place machinery. Parts can be shipped on tape and reel for high speed placement. Construction processes have been implemented for thermal compatibility with high temperature IR reflow assembly processing. Post dipping of leads assist with PC board solderability. Each part is optically inspected to meet rigid coplanarity requirements.

Corporate Office**Bel Fuse Inc.**

198 Van Vorst Street, Jersey City, NJ 07302-4496
Tel: 201-432-0463
Fax: 201-432-9542
E-Mail: BelFuse@belfuse.com
Internet: <http://www.belfuse.com>

Far East Office**Bel Fuse Ltd.**

8F/8 Luk Hop Street
San Po Kong
Kowloon, Hong Kong
Tel: 852-2328-5515
Fax: 852-2352-3706

European Office**Bel Fuse Europe Ltd.**

Preston Technology Management Centre
Marsh Lane, Preston PR1 8UD
Lancashire, U.K.
Tel: 44-1772-556601
Fax: 44-1772-888366