

## Features

- Overvoltage/lightning protection to ITU-T K.20
- Standard “off-the-shelf” design
- Typical application is secondary protection on telecom line cards

# 4A12P-506-500 - Surge Line Protection Module

## Matched Pair of Resistors plus Thermal Fuse

### Electrical Characteristics

Resistance Values (R1 = R2).....	50 Ω
Resistance Tolerance.....	±1 %
TCR.....	100 ppm/°C
Ratio Tolerance.....	±0.5 %
Power Dissipation (per resistor) @ 25 %.....	2 W
Temperature Range.....	-40 °C to +85 °C

### Physical Characteristics

Body Style.....	Dual in line SMD - twin pack
Substrate Material.....	96 % Alumina
Lead Frame Material.....	Copper, solder coated
Flammability.....	Conforms to UL94V-0
Processability.....	Unit is only suitable for no-clean processing
Convection Reflow.....	Unit will withstand 260 °, 20 seconds
Packaging.....	16 “ diameter reels, 44mm tape, 250 pcs./reel

### Functional Characteristics

Lightning Surge Test.....	10 x 700 μSec, 1 KV
Power Induction.....	300 Vrms
Power Contact.....	220 Vrms

## How To Order

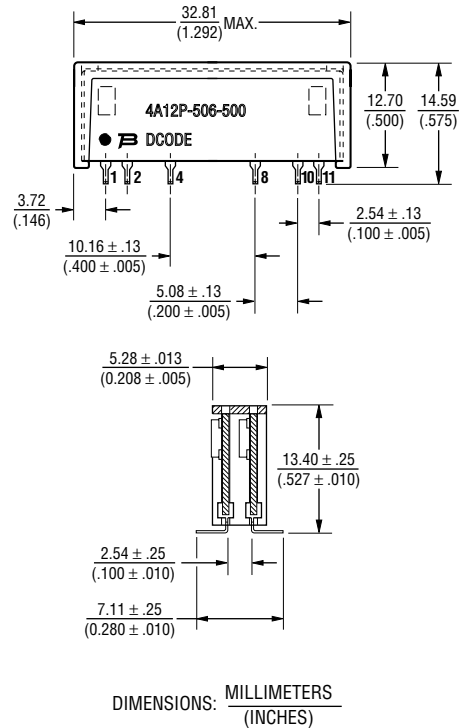
Model	<b>4A 12 P - 506 - 500</b>
(4A = Surface Mount)	
Number of Pins	
Physical Configuration	
Electrical Configuration	
506 = Matched Pair of Resistors plus Thermal Fuse	
Resistance Code	
• 500 = 50 Ω	



Reliable Electronic Solutions

**Asia-Pacific:** TEL +886- (0)2 25624117 • FAX +886- (0)2 25624116  
**Europe:** TEL +41-41 7685555 • FAX +41-41 7685510  
**North America:** TEL +1-909 781-5500 • FAX +1-909 781-5700  
**bourns.com**

## Product Dimensions



## Electrical Schematic

