

## Description

Single pole miniaturised magnetic circuit breakers with unique high-speed operating mechanism and push/pull on/off manual actuation. Fitted with electrically separate excitation and switching circuits, and one pair of auxiliary contacts which close when the main circuit is open. Also suitable for impulse operation. Designed for printed circuit board mounting. Low temperature sensitivity.

## Typical applications

Printed circuit boards and components, safety and control systems.

## Ordering information

Type No.	
808	fast-acting
	Manual release (optional)
H	manual release facility
	Current ratings
	0.01 ...8 A

808 - H - 1 A ordering example

Packaging quantity: 250 pcs

## Standard current ratings and typical internal resistance values

Current rating (A)	Internal resistance (Ω)	Current rating (A)	Internal resistance (Ω)
0.01	625	0.8	0.096
0.02	170	0.9	0.085
0.03	77	1	0.073
0.04	47	1.2	0.050
0.05	29.2	1.5	0.031
0.08	10.3	2	≤ 0.02
0.1	5.6	2.5	≤ 0.02
0.2	1.65	3	≤ 0.02
0.3	0.89	3.25	≤ 0.02
0.4	0.39	4	≤ 0.02
0.5	0.28	4,5	≤ 0.02
0.6	0.198	5	≤ 0.02
0.7	0.143	8	≤ 0.02

## Approvals

Authority	Voltage ratings	Current ratings
CSA	AC 120 V, DC 60 V	0.01 ...5 A
UL	DC 60 V	0.01 ...8 A
	AC 120 V	0.01 ...5 A

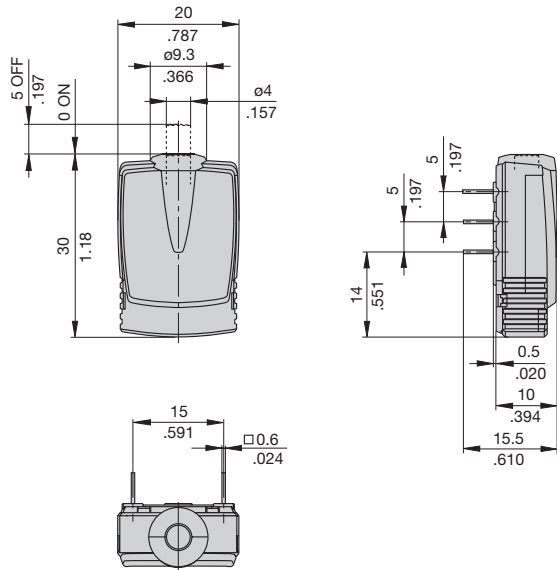


## Technical data

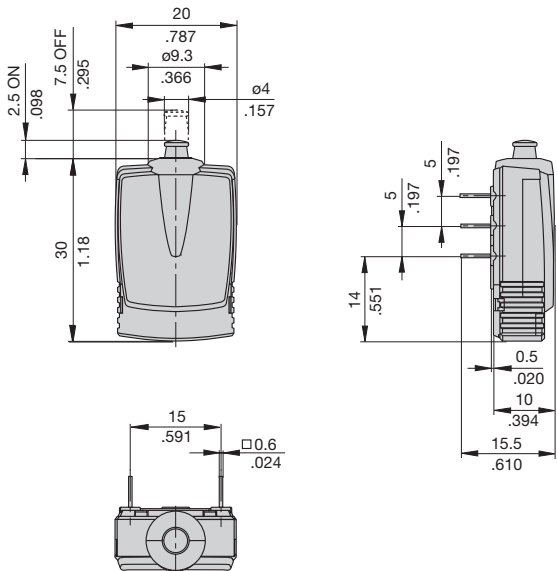
Voltage rating	DC 24 V UL, CSA: AC 120 V, DC 60 V
Current ratings	0.01...8 A
Max. continuous load excitation circuit (2-3)	2.65 x I <sub>N</sub>
Max. continuous load switching circuit 6-7 auxiliary circuit 4-5	5 A
Typical life	6,000 operations at 5 A for switching circuit
Ambient temperature	-30...+70 °C (-22...+158 °F)
Insulation co-ordination (IEC 60664 and 60664A)	Rated impulse withstand voltage 1.5 kV Pollution degree 2
Dielectric strength (IEC 60664 and 60664A)	Test voltage excitation to switching circuit AC 840 V excitation to auxiliary circuit AC 1,680 V
Insulation resistance	> 100 MΩ (DC 500 V)
Interrupting capacity (o-o-o)	100 A
Interrupting capacity (UL 1077)	1,000 A AC 120 V 200 A DC 60 V
Degree of protection (IEC 60529/DIN 40050)	operating area IP 30 terminal area IP 00
Vibration	3 g (57-500 Hz), ±0.23 mm (10-57 Hz), to IEC 60068-2-6, test Fc 10 frequency cycles/axis
Shock	25 g (11 ms) to IEC 60068-2-27, test Ea
Corrosion	96 hours at 5 % salt mist, to IEC 60068-2-11, test Ka
Humidity	240 hours at 95 % RH to IEC 60068-2-3, test Ca
Mass	approx. 10 g

## Dimensions

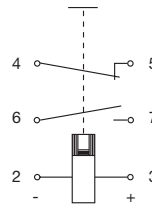
808



808-H

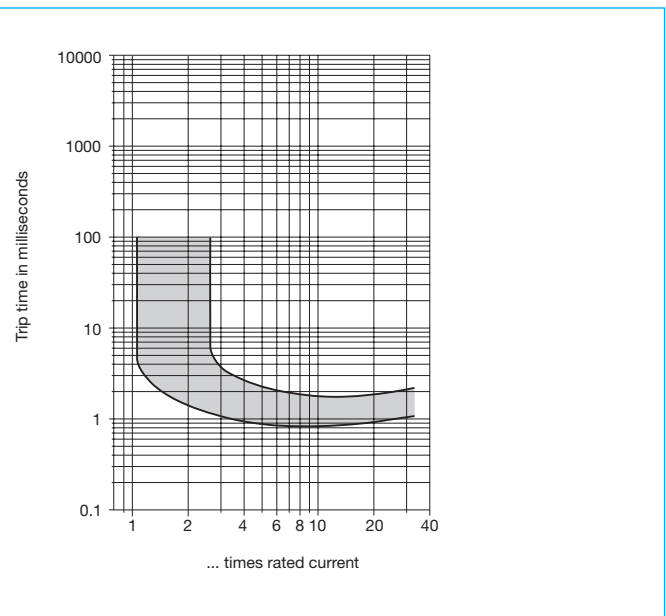


## Internal connection diagram



2-3: excitation circuit  
6-7: switching circuit  
4-5: auxiliary circuit

## Typical time/current characteristics at +23°C/+73.4°F



This is a metric design and millimeter dimensions take precedence ( $\frac{\text{mm}}{\text{inch}}$ )

All dimensions without tolerances are for reference only. In the interest of improved design, performance and cost effectiveness the right to make changes in these specifications without notice is reserved. Product markings may not be exactly as the ordering codes. Errors and omissions excepted.