

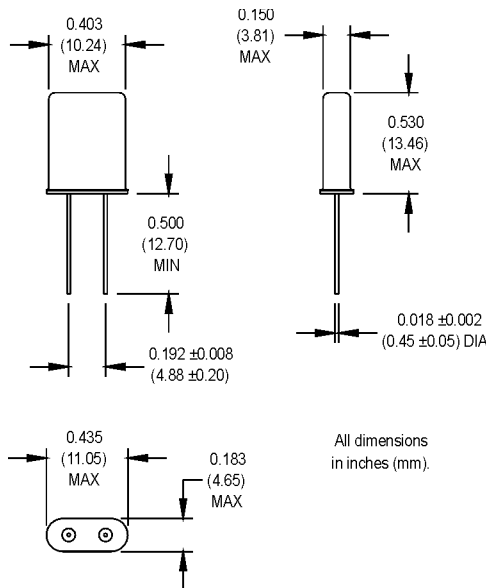
ATS-49 and MP-1 Crystals



Equivalent Series Resistance (ESR), Max.	ATS-49
Fundamental (AT-cut)	
3.579 to 3.999 MHz	200 Ω
4.000 to 4.999 MHz	150 Ω
5.000 to 5.999 MHz	120 Ω
6.000 to 9.999 MHz	100 Ω
10.000 to 13.999 MHz	80 Ω
14.000 to 40.000 MHz	50 Ω
Fundamental (BT-cut)	
24.000 to 50.000 MHz	100 Ω
Third Overtones (AT-cut)	
25.000 to 39.999 MHz	100 Ω
40.000 to 72.000 MHz	80 Ω

MP-1 (HC-49/U) 00.0000 MHz (customer specified frequency)

MP-1-R (HC-49/U) 00.0000 MHz (RoHS Compliant and customer specified frequency)



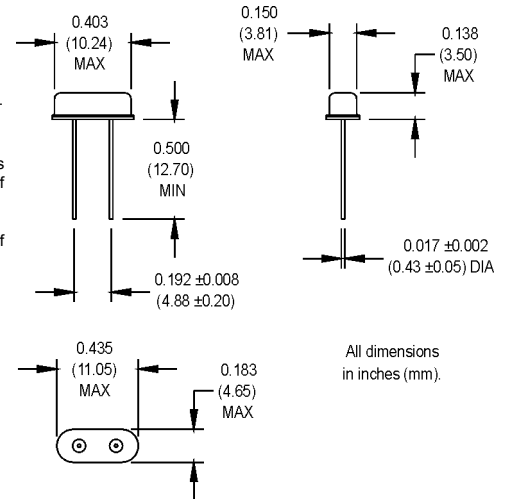
NOTES:

Series resonant designated by "SR" prefix (i.e., **SRATS-49** or **SRMP-1**).

ATS-49

Because this product is based on AT-strip technology, not all frequencies in the range stated are available. Contact the factory for availability of specific frequencies.

BT cut fundamentals from 24.000 to 40.000 MHz have a stability of ±100 ppm.



***ATS-49 00.0000 MHz** (customer specified)

***ATS-49-R 00.0000 MHz** (RoHS Compliant and customer specified frequency)

Equivalent Series Resistance (ESR), Max.	MP-1
Fundamental (AT-cut)	
1.8432 to 1.999 MHz	700 Ω
2.000 to 2.399 MHz	600 Ω
2.400 to 3.299 MHz	400 Ω
3.300 to 3.569 MHz	140 Ω
3.570 to 3.999 MHz	100 Ω
4.000 to 5.999 MHz	75 Ω
6.000 to 7.999 MHz	50 Ω
8.000 to 10.999 MHz	40 Ω
11.000 to 14.999 MHz	30 Ω
15.000 to 19.999 MHz	25 Ω
20.000 to 34.000 MHz	25 Ω
Third Overtones (AT-cut)	
20.000 to 49.999 MHz	40 Ω
50.000 to 75.000 MHz	50 Ω
Fifth Overtones (AT-cut)	
50.000 to 125.000 MHz	90 Ω
Seventh Overtones (AT-cut)	
125.000 to 200.000 MHz	150 Ω

Electrical Specifications	PARAMETER	Symbol	Min.	Typ.	Max.	Units	Condition/Notes	
	Frequency Range	F	1.8432		200	MHz	MP-1	
			3.579545		72	MHz	ATS-49	
	Frequency Tolerance	F/F			±30	ppm		
	Frequency Stability	ΔF/F			±50	ppm		
	Operating Temperature	T _A	-10		+70	°C		
	Storage Temperature	T _s				°C		
	Aging							
	1st Year							
	Thereafter (per year)							
	Load Capacitance	C _L		18		pF		
	Shunt Capacitance	C ₀			7	pF		
	ESR		See ESR Tables					
	Drive Level	DL			1	mW	MP-1	
				500	μW	ATS-49		
Insulation Resistance	IR	500			MΩ			

MtronPTI reserves the right to make changes to the product(s) and service(s) described herein without notice. No liability is assumed as a result of their use or application.

Please see www.mtronpti.com for our complete offering and detailed datasheets. Contact us for your application specific requirements: MtronPTI 1-800-762-8800.