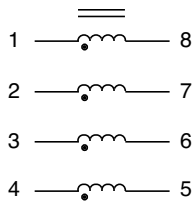


- IEEE 802.3 and IEEE 802.5 compatible
- Robust construction allows IR/VP reflow processes
- Operating Temperature : 0°C to +70°C
- 500 Vrms Hipot

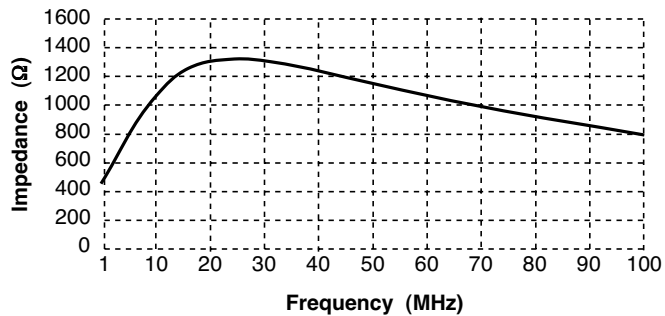
### Electrical Parameters @ 25° C

OCL ( $\mu\text{H} \pm 20\%$ )	Leakage Inductance ( $\mu\text{H Max.}$ )	Interwinding Capacitance (pF Max.)	ET Product (V-uS)	Insulation Resistance (G $\Omega$ Min.)	DCR ( $\Omega$ Max.)
100 KHz, 0.1 Vrms	100 KHz, 0.1 Vrms	100 KHz, 0.1 Vrms		@ 500 Vdc	
85	0.25	15 Line to Line	2.5	10 Line to Line	0.2 Each Line

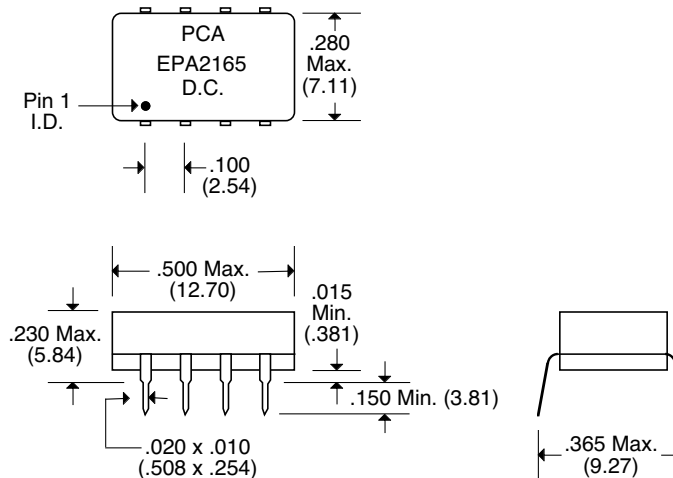
### Schematic



### Typical Impedance



### Package



Unless Otherwise Specified Dimensions are in Inches /mm  $\pm .010 / .25$