

EPI AC3 Series



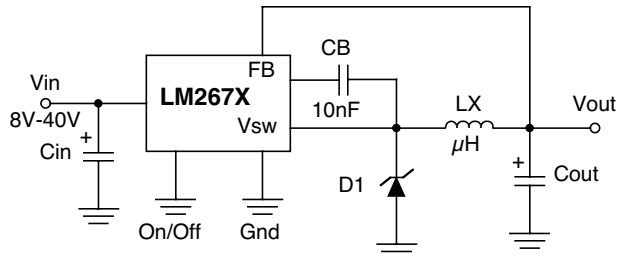
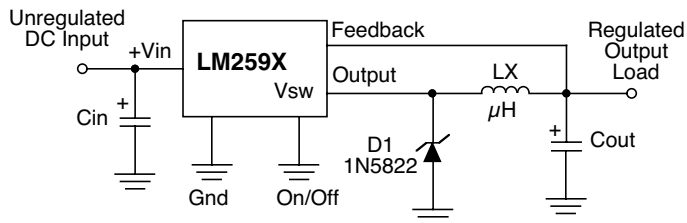
- Optimized for National's LM267X & LM259X Series
- Low loss material ensures operation in high frequency switching converters, such as Buck, Boost or as output averaging filter inductor
- Also suitable for use in high quality filter applications
- 150 KHz & 500 KHz Switching Frequency
- Low Cost Inductor

Primary Specification

Part Number	National Semiconductor Chip	Induct. ($\mu\text{H} \pm 20\%$) @ 0 Adc	DCR (Ω Typ.)	Induct. ($\mu\text{H} 15\%$) @ Idc	Idc (mA)	Core Loss		Vt1 (V- μSec) 150 KHz	Vt2 (V- μSec) 260 KHz	Temp.Rise	
						@ Vt1 (mW)	@ Vt2 (mW)			@ Vt1 $^{\circ}\text{C}$ (Typ.)	@ Vt2 $^{\circ}\text{C}$ (Typ.)
EPI220502AC3	LM267X-L41	27	0.025	22	5000	---	290	---	23.1	---	35
	LM267X-L50	27	0.025	22	5000	---	290	---	23.1	---	35
EPI330402AC3	LM267X-L40	40	0.038	33	4000	---	260	---	27.0	---	34
EPI330352AC3	LM259X-L40	38	0.046	33	3500	210	---	33.4	---	31	---
EPI470352AC3	LM259X-L39	60	0.074	47	3500	185	---	40.0	---	42	---
	LM267X-L39	60	0.074	47	3500	---	185	---	28.5	---	42
EPI680302AC3	LM259X-L38	87	0.090	68	3000	155	---	46.7	---	37	---
	LM267X-L38	87	0.090	68	3000	---	155	---	30.8	---	37
EPI680352AC3	LM267X-L44	91	0.091	68	3500	45	---	26.7	---	43	---
	LM259X-L44	91	0.091	68	3500	---	60	---	12.7	---	44
EPI101252AC3	LM259X-L37	128	0.110	100	2500	155	---	55.4	---	33	---
EPI151202AC3	LM259X-L36	194	0.260	150	2000	113	---	56.7	---	43	---
EPI221152AC3	LM259X-L35	265	0.394	220	1500	134	---	73.4	---	39	---

For no header version : add "V" for Vertical Mount and add "H" for Horizontal Mount

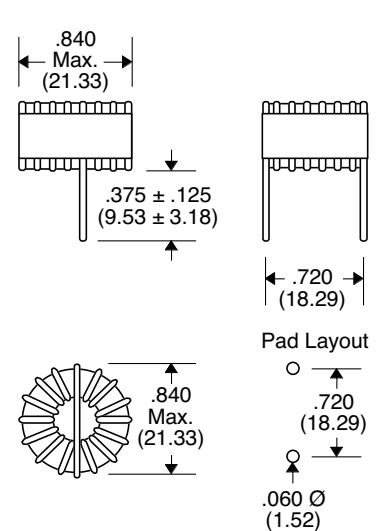
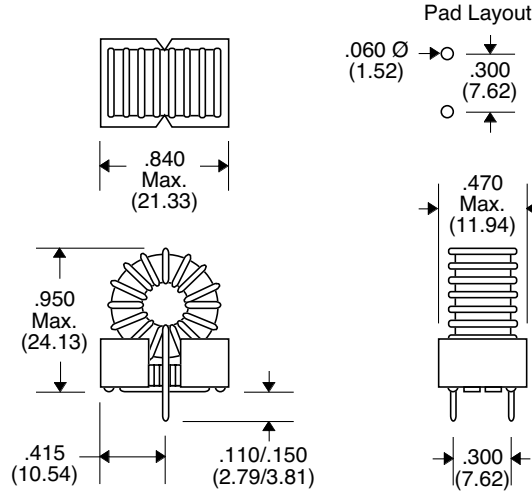
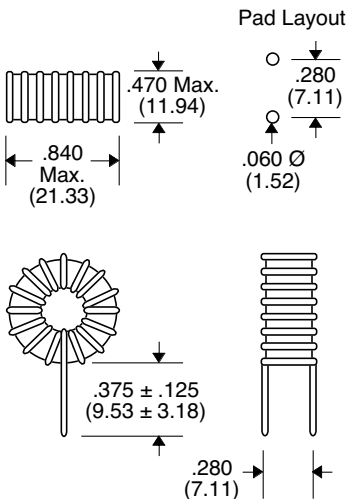
Applications



Package AC3V

Package AC3

Package AC3H



Unless Otherwise Specified Dimensions are in Inches /mm $\pm .010 / .25$