

**IN421**  
Contractor® Flashlight



**Specifications**

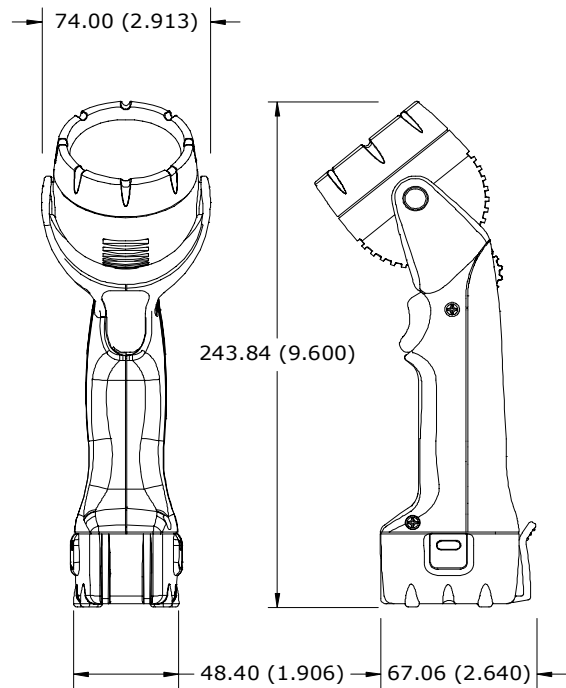
**Designation:** Energizer Flashlight  
**Power Source:** Four AA Size Batteries (ANSI/NEDA 15 Series)  
**Configuration:** Series - Parallel Circuit  
**Lamp:** No. KPR-102 (Rated at 2.4V, 0.7A)  
**Lamp Life:** Rated at 15 Hours  
**Lamp Output:** Rated at 16.5 Lumens  
**Typical Weight:** 181 grams (6.4 oz.) (without batteries)

**Features**

- Swivel Head Rotates 180°
- Belt Clip
- Trigger Switch
- Soft Ergonomic Grip
- Krypton Bulb

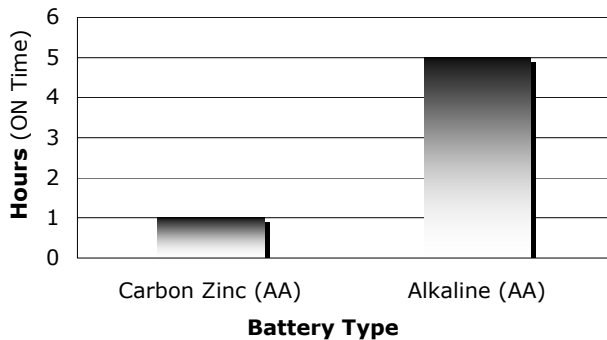
**Physical Dimensions**

mm (inches)



**Typical Battery Service**

350 mA Continuous  
at 21°C (70°F)



**Typical Battery Service to 0.9V (per battery) at 21°C (70°F)**

Schedule	Battery Type	Hours (ON Time)
350 mA Continuous	1215	1.0
350 mA Continuous	E91	5.0

**Important Notice**

This datasheet contains information specific to flashlights manufactured at the time of its publication.  
**Contents herein do not constitute a warranty.**  
 Copyright Eveready Battery Co. Inc. - All Rights Reserved