

KEYLOCK SWITCHES



**SPECIFICATIONS**

Contact Rating: As per individual model number  
 Initial Contact Resistance: 10 mΩ Max.  
 Insulation Resistance: As per individual model number  
 Dielectric Strength: As per individual model number

**MATERIALS**

Housing and Cylinder: Die cast zinc alloy. Finish dependent upon individual model number  
 Contact: Silver plated copper alloy  
 Keys: As per individual model number

HOW TO ORDER

Series

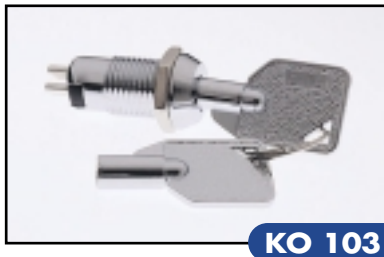
Model No.

KO

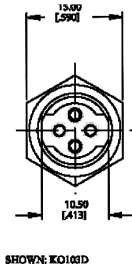
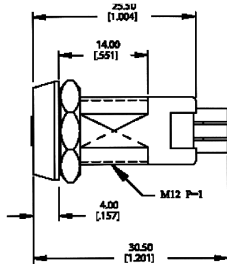
103B

EXAMPLE

KO → 103B



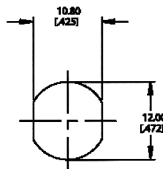
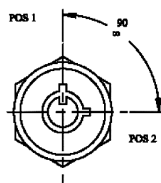
KO 103



SHOWN: KO103D

**SPECIFICATIONS**

Ratings: 1A @ 125 VAC  
 0.5A @ 250 VAC  
 Contact Resistance: 20 mΩ max. initial @ 2-4 VDC, 100 mA  
 Insulation Resistance: 200 MΩ min.  
 Dielectric Strength: 1,500 V rms @ sea level



- Zinc alloy die cast housing and cylinder, chrome plated
- Zinc alloy keys, chrome plated
- Silver plated contacts and terminals
- 200 combinations available

Part Number	Lock Configuration (as viewed from key end)	Connected Terminals			Key Pull Possible
		Pos. 1	Pos. 2	Pos. 3	
KO103A	1 <sup>⊙</sup> 2 90° indexing	OFF	1-2		Pos. 1
KO103B	1 <sup>⊙</sup> 2 90° indexing	OFF	1-2		Pos. 1, Pos. 2
KO103C	1 <sup>⊙</sup> 2 90° indexing	1-2	3-4		Pos. 1
KO103D	1 <sup>⊙</sup> 2 90° indexing	1-2	3-4		Pos. 1, Pos. 2
KO103E	1 <sup>⊙</sup> 2 90° indexing	OFF	1-2		Pos. 1

• = Detent Position ⊙ = Keypull Possible ▼ = Momentary

SPECIFICATIONS SUBJECT TO CHANGE WITHOUT NOTICE.



**KO 104**

- Zinc alloy die cast housing and cylinder, chrome plated
- Zinc alloy keys, chrome plated, with plastic cover
- Silver plated contacts and terminals
- 10,000 combinations available

**SPECIFICATIONS**

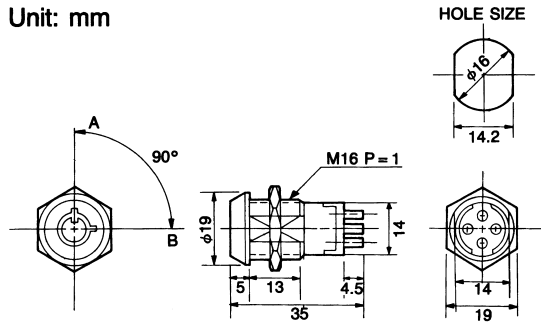
Ratings: 3A @ 125 VAC  
1.5A @ 250 VAC

Contact Resistance: 20 mΩ max. initial @ 2-4 VDC, 100 mA

Insulation Resistance: 200 MΩ min.

Dielectric Strength: 1,500 V rms @ sea level

Unit: mm



Part Number	Lock Configuration (as viewed from key end)	Connected Terminals			Key Pull Possible
		Pos. 1	Pos. 2	Pos. 3	
KO104A	1⊙ 2 90° indexing	1-2	3-4		Pos. 1
KO104B	1⊙ 2 90° indexing	1-2	3-4		Pos. 1, Pos. 2

• = Detent Position ⊙ = Keypull Possible ▼ = Momentary

SPECIFICATIONS SUBJECT TO CHANGE WITHOUT NOTICE.



**KO 105**

- Zinc alloy die cast housing and cylinder, chrome plated
- Steel made tubular keys, nickel plated
- Silver plated contacts and terminals
- 200 combinations available

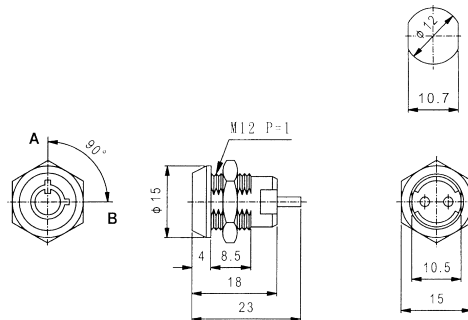
**SPECIFICATIONS**

Ratings: 1A @ 125 VAC  
0.5A @ 250 VAC

Contact Resistance: 20 mΩ max. initial @ 2-4 VDC, 100 mA

Insulation Resistance: 200 MΩ min.

Dielectric Strength: 1,500 V rms @ sea level



Part Number	Lock Configuration (as viewed from key end)	Connected Terminals			Key Pull Possible
		Pos. 1	Pos. 2	Pos. 3	
KO105A	1⊙ 2 90° indexing	OFF	1-2		Pos. 1, Pos. 2
KO105B	1⊙ 2 90° indexing	1-2	3-4		Pos. 1, Pos. 2

• = Detent Position ⊙ = Keypull Possible ▼ = Momentary

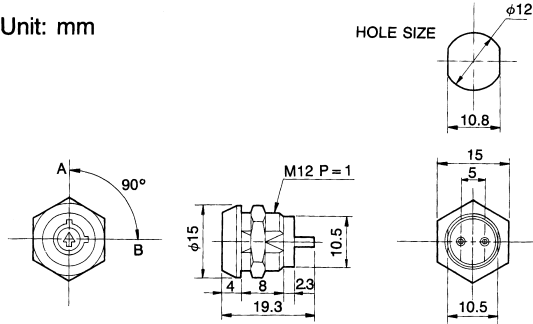
**KEYLOCK SWITCHES**



**KO 106**

- Zinc alloy die cast housing and cylinder, chrome plated
- Zinc alloy keys, chrome plated
- Silver plated contacts and terminals
- 1 combination available

Unit: mm



**SPECIFICATIONS**

Ratings:

1A @ 125 VAC  
0.5A @ 250 VAC

Contact Resistance:

20 mΩ max. initial @ 2-4 VDC,  
100 mA

Insulation Resistance:

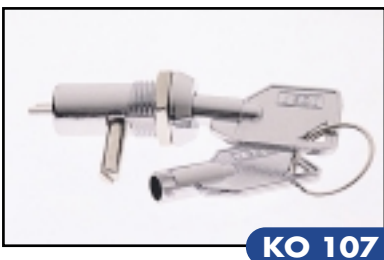
200 MΩ min.

Dielectric Strength:

1,500 V rms @ sea level

Part Number	Lock Configuration (as viewed from key end)	Connected Terminals			Key Pull Possible
		Pos. 1	Pos. 2	Pos. 3	
KO106A	90° indexing	OFF	1-2		Pos. 1, Pos. 2

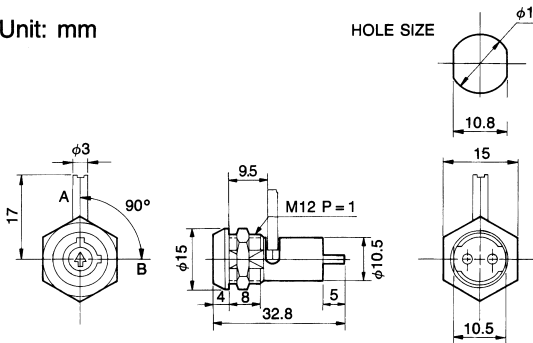
• = Detent Position    ⊙ = Keypull Possible    ▼ = Momentary



**KO 107**

- Zinc alloy die cast housing and cylinder, chrome plated
- Zinc alloy keys, chrome plated
- Silver plated contacts and terminals
- Dual-Functioned Key Lock Switch
- L dimension per customer requirement, 13 mm is standard
- 6 combinations available

Unit: mm



**SPECIFICATIONS**

Ratings:

1A @ 125 VAC  
0.5A @ 250 VAC

Contact Resistance:

20 mΩ max. initial @ 2-4 VDC,  
100 mA

Insulation Resistance:

200 MΩ min.

Dielectric Strength:

1,500 V rms @ sea level

Part Number	Lock Configuration (as viewed from key end)	Connected Terminals			Key Pull Possible
		Pos. 1	Pos. 2	Pos. 3	
KO107A	90° indexing	OFF	1-2		Pos. 1, Pos. 2

• = Detent Position    ⊙ = Keypull Possible    ▼ = Momentary

SPECIFICATIONS SUBJECT TO CHANGE WITHOUT NOTICE.



**KO 113**

- Zinc alloy die cast housing and cylinder, chrome plated
- Steel made tubular keys, nickel plated
- Silver plated contacts and terminals
- 50,000 combinations available

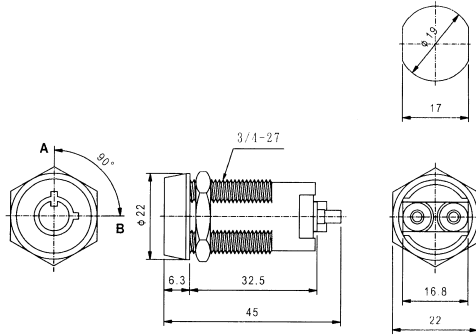
**SPECIFICATIONS**

Ratings: 4A @ 125 VAC  
2A @ 250 VAC

Contact Resistance: 20 mΩ max. initial @ 2-4 VDC, 100 mA

Insulation Resistance: 200 MΩ min.

Dielectric Strength: 1,500 V rms @ sea level



Part Number	Lock Configuration (as viewed from key end)	Connected Terminals			Key Pull Possible
		Pos. 1	Pos. 2	Pos. 3	
KO113A	90° indexing	OFF	1-2		Pos. 1
KO113B	90° indexing	OFF	1-2		Pos. 1, Pos. 2
KO113C	90° indexing	OFF	1-2		Pos. 1

• = Detent Position ◉ = Keypull Possible ▼ = Momentary

SPECIFICATIONS SUBJECT TO CHANGE WITHOUT NOTICE.



**KO 114**

- Zinc alloy die cast housing and cylinder, chrome plated
- Steel made tubular keys, nickel plated
- Silver plated contacts and terminals
- 50,000 combinations available

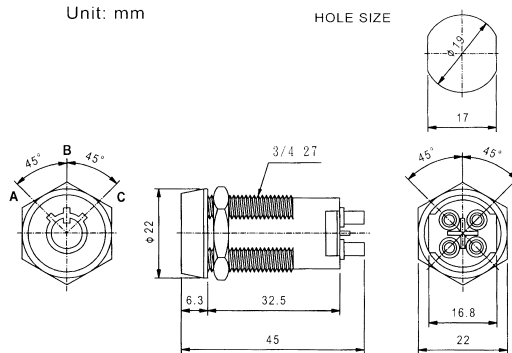
**SPECIFICATIONS**

Ratings: 4A @ 125 VAC  
2A @ 250 VAC

Contact Resistance: 20 mΩ max. initial @ 2-4 VDC, 100 mA

Insulation Resistance: 200 MΩ min.

Dielectric Strength: 1,500 V rms @ sea level



Part Number	Lock Configuration (as viewed from key end)	Connected Terminals				Key Pull Possible
		Pos. 1	Pos. 2	Pos. 3	Pos. 4	
KO114A	45°-45° indexing	1-2	OFF	3-4		Pos. 1, Pos. 2, Pos. 3
KO114B	45°-90° indexing	OFF	1-2		3-4	Pos. 1, Pos. 2, Pos. 4
KO114C	90° indexing		1-2		3-4	Pos. 2, Pos. 4
KO114D	45° indexing		OFF	1-2, 3-4		Pos. 2, Pos. 3

• = Detent Position ◉ = Keypull Possible ▼ = Momentary

KEYLOCK SWITCHES

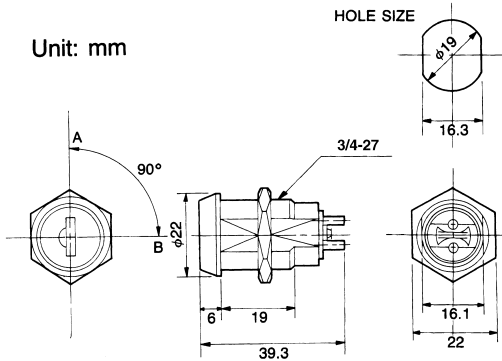


**KO 117**

**SPECIFICATIONS**

Ratings: 4A @ 125 VAC  
2A @ 250 VAC  
Contact Resistance: 20 mΩ max. initial @ 2-4 VDC, 100mA  
Insulation Resistance: 200 MΩ min.  
Dielectric Strength: 1,500 V rms @ sea level

- Zinc alloy die cast housing, chrome plated
- 5-Disk tumblers mechanism, with dust shutter
- Reversible double cut key, brass made, nickel plated
- Silver plated contacts and terminals
- 150 combinations available



Part Number	Lock Configuration (as viewed from key end)	Connected Terminals			Key Pull Possible
		Pos. 1	Pos. 2	Pos. 3	
KO117A	$\overset{1}{\odot} \text{---} \underset{2}{\odot}$ 90° indexing	OFF	1-2		Pos. 1, Pos. 2

• = Detent Position    ⊙ = Keypull Possible    ▼ = Momentary

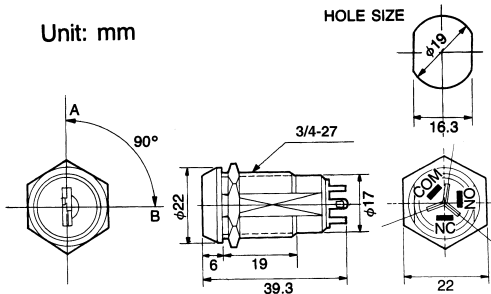


**KO 118**

**SPECIFICATIONS**

Ratings: 4A @ 125 VAC  
2A @ 250 VAC  
Contact Resistance: 20 mΩ max. initial @ 2-4 VDC, 100mA  
Insulation Resistance: 200 MΩ min.  
Dielectric Strength: 1,500 V rms @ sea level

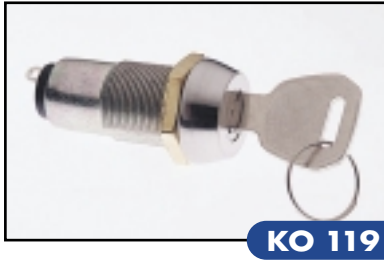
- Zinc alloy die cast housing, chrome plated
- 5-Disk tumblers mechanism, with dust shutter
- Reversible double cut key, brass made, nickel plated
- Silver plated contacts and terminals
- 150 combinations available



Part Number	Lock Configuration (as viewed from key end)	Connected Terminals			Key Pull Possible
		Pos. 1	Pos. 2	Pos. 3	
KO118A	$\overset{1}{\odot} \text{---} \underset{2}{\odot}$ 90° indexing	1-2	3-4		Pos. 1, Pos. 2

• = Detent Position    ⊙ = Keypull Possible    ▼ = Momentary

SPECIFICATIONS SUBJECT TO CHANGE WITHOUT NOTICE.

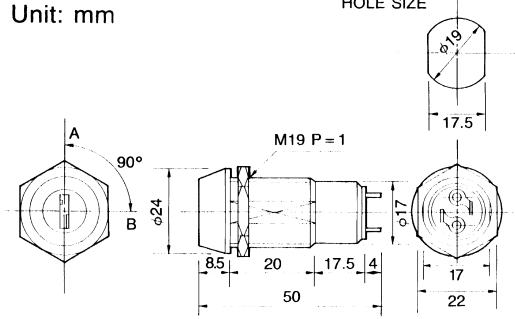


**KO 119**

- Zinc alloy die cast housing and cylinder
- 5-Disk tumblers mechanism
- Reversible double cut key
- With dust shutter
- Silver plated contacts and terminals
- 150 combinations available

**SPECIFICATIONS**

Ratings: 4A @ 125 VAC  
2A @ 250 VAC  
Contact Resistance: 20 mΩ max. initial @ 2-4 VDC, 100mA  
Insulation Resistance: 200 MΩ min.  
Dielectric Strength: 1,500 V rms @ sea level



Part Number	Lock Configuration (as viewed from key end)	Connected Terminals			Key Pull Possible
		Pos. 1	Pos. 2	Pos. 3	
KO119A	90° indexing	OFF	1-2		Pos. 1
KO119B	90° indexing	OFF	1-2		Pos. 1, Pos. 2
KO119C	90° indexing	OFF	1-2		Pos. 1

• = Detent Position ◉ = Keypull Possible ▼ = Momentary

SPECIFICATIONS SUBJECT TO CHANGE WITHOUT NOTICE.

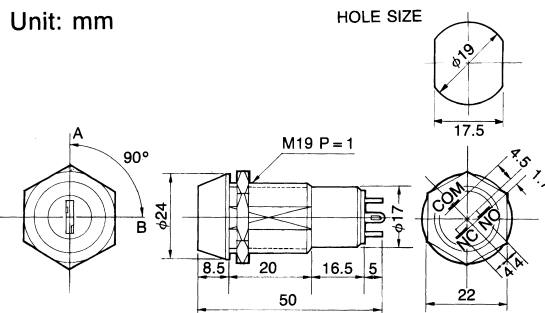


**KO 120**

- Zinc alloy die cast housing and cylinder
- 5-Disk tumblers mechanism
- Reversible double cut key
- With dust shutter
- Silver plated contacts and terminals
- 2 positions (On-On), 3 terminals
- 150 combinations available

**SPECIFICATIONS**

Ratings: 4A @ 125 VAC  
2A @ 250 VAC  
Contact Resistance: 20 mΩ max. initial @ 2-4 VDC, 100mA  
Insulation Resistance: 200 MΩ min.  
Dielectric Strength: 1,500 V rms @ sea level



Part Number	Lock Configuration (as viewed from key end)	Connected Terminals			Key Pull Possible
		Pos. 1	Pos. 2	Pos. 3	
KO120A	90° indexing	1-2	2-3		Pos. 1
KO120B	90° indexing	1-2	2-3		Pos. 1, Pos. 2

• = Detent Position ◉ = Keypull Possible ▼ = Momentary

KEYLOCK SWITCHES



**KO 121**

- Zinc alloy die cast housing with bright stainless steel bezel
- 5-Disk tumblers mechanism with dust shutter
- 150 combinations available

**SPECIFICATIONS**

Ratings:

4A @ 125 VAC  
2A @ 250 VAC

Contact Resistance:

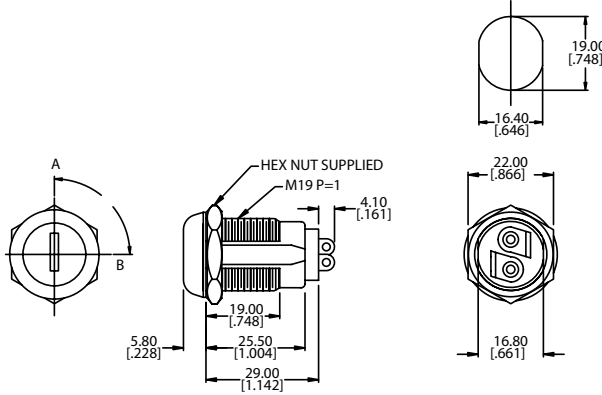
20 mΩ max. initial @ 2-4 VDC, 100mA

Insulation Resistance:

200 MΩ min.

Dielectric Strength:

1,500 V rms @ sea level



Part Number	Lock Configuration (as viewed from key end)	Connected Terminals			Key Pull Possible
		Pos. 1	Pos. 2	Pos. 3	
KO121A	$1 \text{ } \odot \text{ } \ominus_2$ 90° indexing	OFF	1-2		Pos. 1, Pos. 2

• = Detent Position     $\odot$  = Keypull Possible     $\blacktriangledown$  = Momentary



**KO 124**

- Zinc alloy die cast housing and cylinder, satin chrome plated
- Steel made tubular keys, nickel plated
- Silver plated contacts and terminals
- 50,000 combinations available

**SPECIFICATIONS**

Ratings:

2A @ 125 VAC  
1A @ 250 VAC

Contact Resistance:

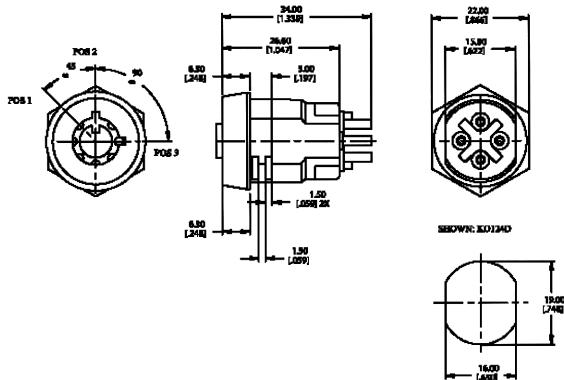
20 mΩ max. initial @ 2-4 VDC, 100mA

Insulation Resistance:

200 MΩ min.

Dielectric Strength:

1,500 V rms @ sea level



Part Number	Lock Configuration (as viewed from key end)	Connected Terminals				Key Pull Possible
		Pos. 1	Pos. 2	Pos. 3	Pos. 4	
KO124A	$2 \text{ } \odot \text{ } \ominus_3$ 90° indexing		OFF	1-2		Pos. 2, Pos. 3
KO124C	$2 \text{ } \odot \text{ } \ominus_3$ 90° indexing		1-2	3-4		Pos. 2, Pos. 3
KO124D	$1 \text{ } \odot \text{ } \ominus_3$ 45°-90° indexing	OFF	1-2	3-4		Pos. 1, Pos. 2, Pos. 3

• = Detent Position     $\odot$  = Keypull Possible     $\blacktriangledown$  = Momentary

SPECIFICATIONS SUBJECT TO CHANGE WITHOUT NOTICE.



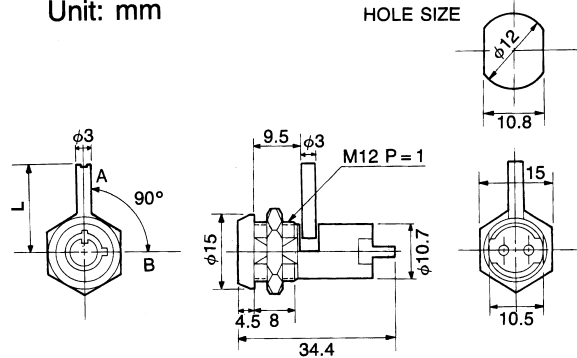
**KO 126**

- Zinc alloy die cast housing, chrome plated
- Brass cylinder, chrome plated
- Brass keys, nickel plated, with plastic cover
- Silver plated contacts and terminals
- 2 positions (Off-On)
- Dual-Functioned Key Lock Switch
- L dimension per customer requirement; 13mm is standard
- 200 combinations available

**SPECIFICATIONS**

Ratings: 1A @ 125 VAC  
0.5A @ 250 VAC  
Contact Resistance: 20 mΩ max. initial @ 2-4 VDC, 100mA  
Insulation Resistance: 200 MΩ min.  
Dielectric Strength: 1,500 V rms @ sea level

Unit: mm



Part Number	Lock Configuration (as viewed from key end)	Connected Terminals				Key Pull Possible
		Pos. 1	Pos. 2	Pos. 3	Pos. 4	
KO126A	$\overset{1}{\circ} \text{---} \underset{2}{\circ}$ 90° indexing	OFF	1-2			Pos. 1, Pos. 2

• = Detent Position ◯ = Keypull Possible ▼ = Momentary

SPECIFICATIONS SUBJECT TO CHANGE WITHOUT NOTICE.

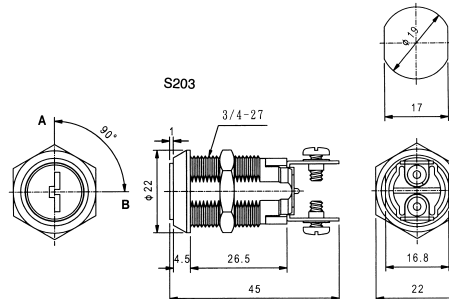


**KO 128**

- Zinc alloy die cast housing and cylinder, chrome plated
- 11 Blade criss cross tumblers.
- Reversible, double bitted keys

**SPECIFICATIONS**

Ratings: 4A @125 VAC  
2A @ 250 VAC  
Contact Resistance: 20 mΩ max. initial @ VDC, 100 mA  
Insulation Resistance: 200 MΩ min.  
Dielectric Strength: 1,500 V rms @ sea level



Part Number	Lock Configuration (as viewed from key end)	Connected Terminals				Key Pull Possible
		Pos. 1	Pos. 2	Pos. 3	Pos. 4	
KO128A	$\overset{1}{\circ} \text{---} \underset{2}{\circ}$ 90° indexing	OFF	1-2			Pos. 1
KO128B	$\overset{1}{\circ} \text{---} \underset{2}{\circ}$ 90° indexing	OFF	1-2			Pos. 1, Pos. 2
KO128E	$\overset{1}{\circ} \text{---} \underset{2}{\circ}$ 90° indexing	OFF	1-2			Pos. 1
KO128F	$\overset{1}{\circ} \text{---} \underset{2}{\circ}$ 90° indexing	OFF	1-2			Pos. 1
KO128G	$\overset{1}{\circ} \text{---} \underset{2}{\circ}$ 90° indexing	OFF	1-2			Pos. 1, Pos. 2
KO128H	$\overset{1}{\circ} \text{---} \underset{2}{\circ}$ 90° indexing	OFF	1-2			Pos. 1

• = Detent Position ◯ = Keypull Possible ▼ = Momentary



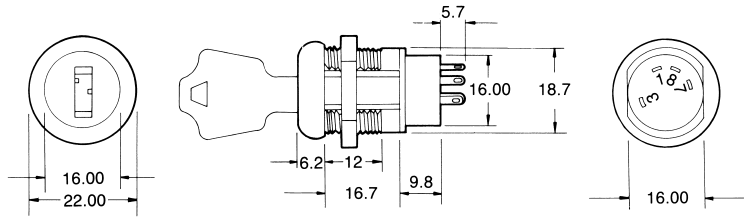
KEYLOCK SWITCHES



**SPECIFICATIONS**

Ratings: 4A @125 VAC  
2A @ 250 VAC  
Contact Resistance: 20 mΩ max. initial @ VDC, 100 mA  
Insulation Resistance: 200 MΩ min.  
Dielectric Strength: 1,500 V rms @ sea level

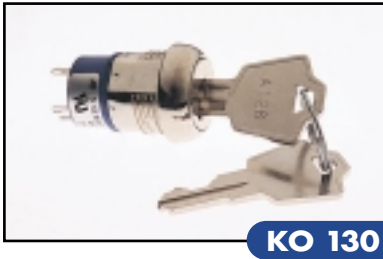
- Lock: bright nickel plated zinc alloy with nickel facing (black and polished chrome facing available)
- Tumbler mechanism: 4-disc tumbler cylinder
- Keys: brass with code no.
- Contacts: silver plated copper alloy
- Terminals: silver plated copper alloy
- Mounting nut: nickel plated zinc alloy



Part Number	Lock Configuration (as viewed from key end)	Connected Terminals					Key Pull Possible
		Pos. 1	Pos. 2	Pos. 3	Pos. 4	Pos. 5	
KO129A (SP)	45° - 90° indexing		7-8	8-1		1-3	Pos. 3, Pos. 5
KO129B (SP)	90° - 45° indexing	1-2		7-1	6-7		Pos. 1, Pos. 3
KO129C (SP)	45° - 45° indexing		1-2	8-1	7-8		Pos. 3
KO129D (DP)	45° - 45° indexing		1-2, 5-6	8-1, 4-5	7-8, 3-4		
KO129E (SP)	45° indexing			1-2	8-1		Pos. 3
KO129F (DP)	45° indexing			1-2, 5-6	8-1, 4-5		
KO129G (SP)	45° indexing		7-8	8-1			Pos. 3
KO129H (DP)	45° indexing		7-8, 3-4	8-1, 4-5			
KO129K (SP)	45° - 45° indexing		1-2	8-1	7-8		Pos. 3
KO129K (DP)	45° - 45° indexing		1-2, 5-6	8-1, 4-5	7-8, 3-4		
KO129L (SP)	45° - 45° indexing		7-8	8-1	1-2		Pos. 3
KO129M (DP)	45° - 45° indexing		7-8, 3-4	8-1, 4-5	1-2, 5-6		

• = Detent Position ○ = Keypull Possible ▼ = Momentary

SPECIFICATIONS SUBJECT TO CHANGE WITHOUT NOTICE.



**KO 130**

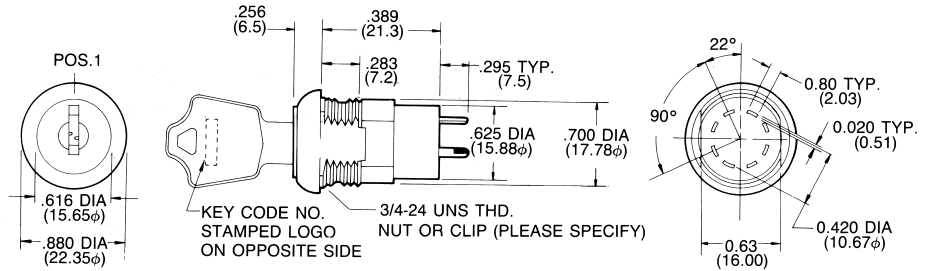
**SPECIFICATIONS**

Ratings: 4A @125 VAC  
2A @ 250 VAC  
Contact Resistance: 20 mΩ max. initial @ 2-4 VDC, 100 mA  
Insulation Resistance: 200 MΩ min.  
Dielectric Strength: 1,500 V rms @ sea level

\*Anti-static models exceed 20kv DC static resistance also available



- Lock: bright nickel plated zinc alloy with nickel facing (black and polished chrome facing available)
- Tumbler mechanism: 4-disc tumbler cylinder
- Keys: brass with code no.
- Contacts: silver plated copper alloy
- Terminals: silver plated copper alloy
- Contact spring: piano wire
- Mounting nut: nickel plated zinc alloy



SPECIFICATIONS SUBJECT TO CHANGE WITHOUT NOTICE.

Part Number	Lock Configuration (as viewed from key end)	Connected Terminals					Key Pull Possible
		Pos. 1	Pos. 2	Pos. 3	Pos. 4	Pos. 5	
KO130A (SP)	45°-45° indexing			8-1	1-2	2-3	Pos. 3
KO130B (DP)	45°-45° indexing			8-1, 4-5	1-2, 5-6	2-3, 6-7	
KO130C (SP)	45°-45° indexing			8-1	1-2	2-3	Pos. 5
KO130D (DP)	45°-45° indexing			8-1, 4-5	1-2, 5-6	2-3, 6-7	
KO130E (SP)	45°-45° indexing			8-1	1-2	2-3	Pos. 3, Pos. 5
KO130F (DP)	45°-45° indexing			8-1, 4-5	1-2, 5-6	2-3, 6-7	
KO130G (SP)	45°-45° indexing		8-1	1-2	7-8		Pos. 3
KO130H (DP)	45°-45° indexing		8-1, 4-5	1-2, 5-6	7-8, 3-4		
KO130I (SP)	45°-45° indexing		8-1	1-2	7-8		Pos. 2, Pos. 3, Pos. 4
KO130J (DP)	45°-45° indexing		8-1, 4-5	1-2, 5-6	7-8, 3-4		
KO130K (SP)	45°-45° indexing	6-7	7-8	8-1	1-2	2-3	Pos. 3
KO130L (SP)	45°-45° indexing	6-7	7-8	8-1	1-2	2-3	Pos. 1, Pos. 5
KO130M (SP)	45°-45° indexing	6-7	7-8	8-1	1-2	2-3	Pos. 1, Pos. 3, Pos. 5
KO130N (SP)	90° indexing			8-1		1-3	Pos. 3
KO130O (DP)	90° indexing			8-1, 4-5		1-3, 5-7	
KO130P (SP)	90° indexing			8-1		1-3	Pos. 5
KO130Q (DP)	90° indexing			8-1, 4-5		1-3, 5-7	
KO130R (SP)	90° indexing			8-1		1-3	Pos. 3, Pos. 5
KO130S (DP)	90° indexing			8-1, 4-5		1-3, 5-7	
KO130T (SP)	45°-45°-90° indexing	6-7	7-8	8-1		1-3	Pos. 3
KO130U (SP)	45°-45°-90° indexing	6-7	7-8	8-1		1-3	Pos. 1, Pos. 5
KO130V (SP)	45°-45°-90° indexing	6-7	7-8	8-1		1-3	Pos. 1, Pos. 3, Pos. 5
KO130Y (SP)	90°-45° indexing	6-7		7-1	1-2	2-3	Pos. 3
KO130Z (SP)	90°-45° indexing	6-7		7-1	1-2	2-3	Pos. 1, Pos. 5
KO103Z1 (SP)	90°-45° indexing	6-7		7-1	1-2	2-3	Pos. 1, Pos. 3, Pos. 5
KO130Z2 (SP)	90°-90° indexing	6-7		7-1		1-3	Pos. 3
KO130Z3 (SP)	90°-90° indexing	6-7		7-1		1-3	Pos. 1, Pos. 5
KO130Z4 (SP)	90°-90° indexing	6-7		7-1		1-3	Pos. 1, Pos. 3, Pos. 5

• = Detent Position ○ = Keypull Possible ▼ = Momentary

KEYLOCK SWITCHES

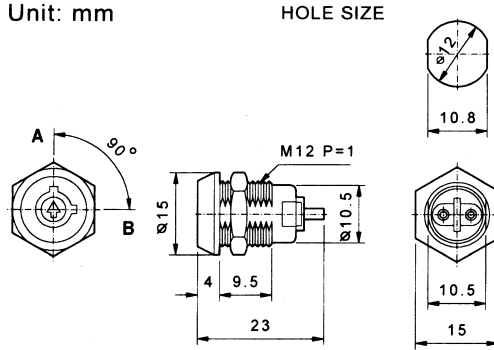


**KO 131**

**SPECIFICATIONS**

Ratings: 1A @ 125 VAC  
0.5A @ 250 VAC  
Contact Resistance: 20 mΩ max. initial @ 2-4 VDC, 100 mA  
Insulation Resistance: 200 MΩ min.  
Dielectric Strength: 1,500 V rms @ sea level

- Zinc alloy die cast housing and cylinder, chrome plated
- Zinc alloy keys, chrome plated
- Silver plated contacts and terminals
- 1 combination available



Part Number	Lock Configuration (as viewed from key end)	Connected Terminals				Key Pull Possible
		Pos. 1	Pos. 2	Pos. 3	Pos. 4	
KO131A	90° indexing	OFF	1-2			Pos. 1, Pos. 2

• = Detent Position ◉ = Keypull Possible ▼ = Momentary

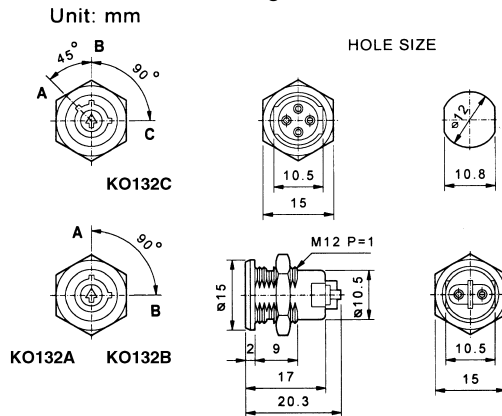


**KO 132**

**SPECIFICATIONS**

Ratings: 1A @125 VAC  
0.5A @ 250 VAC  
Contact Resistance: 20 mΩ max. initial @ 2-4 VDC, 100 mA  
Insulation Resistance: 200 MΩ min.  
Dielectric Strength: 1,500 V rms @ sea level

- Zinc alloy die cast housing and cylinder, chrome plated
- Zinc alloy keys, chrome plated
- Silver plated contacts and terminals
- 6 combinations available



Part Number	Lock Configuration (as viewed from key end)	Connected Terminals				Key Pull Possible
		Pos. 1	Pos. 2	Pos. 3	Pos. 4	
KO132A	90° indexing		OFF	1-2		Pos. 2, Pos. 3
KO132B	90° indexing		1-2	3-4		Pos. 2, Pos. 3
KO132C	45°/90° indexing	OFF	1-2	3-4		Pos. 2, Pos. 3

• = Detent Position ◉ = Keypull Possible ▼ = Momentary

SPECIFICATIONS SUBJECT TO CHANGE WITHOUT NOTICE.



**KO 133**

- Zinc alloy die cast housing and cylinder, chrome plated
- Zinc alloy keys, chrome plated with plastic cover
- Silver plated contacts and terminals
- 4 pins tumbler mechanism
- 200 combinations available

**SPECIFICATIONS**

Ratings:

1A @ 125 VAC

0.5A @ 250 VAC

Contact Resistance:

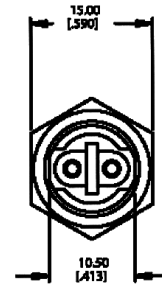
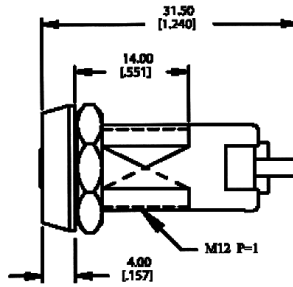
20 mΩ max. initial @ 2-4 VDC, 100mA

Insulation Resistance:

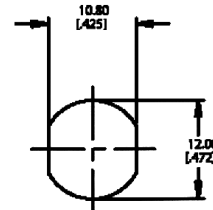
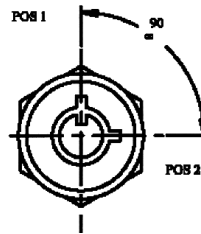
200 MΩ min.

Dielectric Strength:

1,500 V rms @ sea level



SHOWN: KO133A



Part Number	Lock Configuration (as viewed from key end)	Connected Terminals				Key Pull Possible
		Pos. 1	Pos. 2	Pos. 3	Pos. 4	
KO133A	90° indexing	OFF	1-2			Pos. 1
KO133B	90° indexing	OFF	1-2			Pos. 1, Pos. 2
KO133C	90° indexing	OFF	1-2			Pos. 1

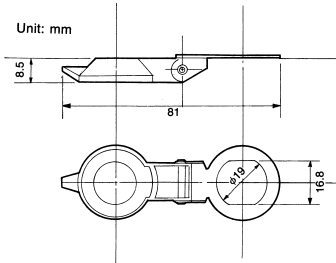
• = Detent Position ◉ = Keypull Possible ▼ = Momentary

SPECIFICATIONS SUBJECT TO CHANGE WITHOUT NOTICE.

KO COVERS

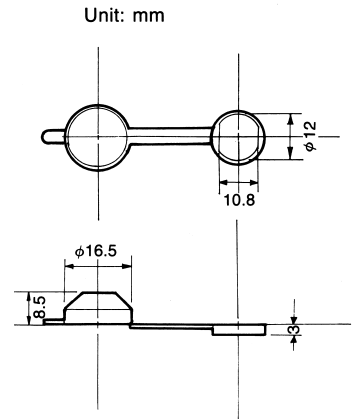


**KOM1**

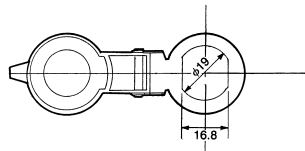


**KOC1**

Rubber Cover

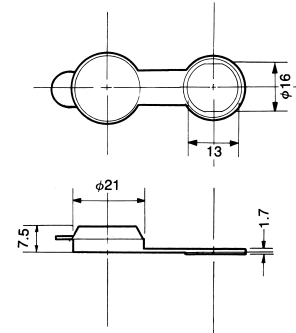


**KOM2**

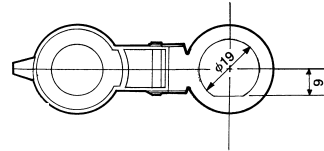


**KOC2**

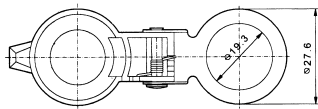
Plastic Cover



**KOM3**

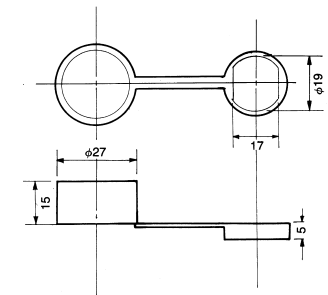


**KOM4**



**KOC3**

Rubber Cover



Use on model KO113, 114,

Model No.	Used for:
KOC1	KO 103, KO 131, KO 132
KOC2	KO 104
KOC3	KO 113, KO 114, KO 119, KO 120
KOM1-4	KO 113, KO 114

SPECIFICATIONS SUBJECT TO CHANGE WITHOUT NOTICE.