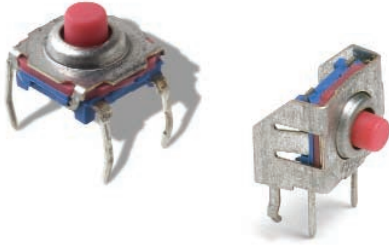


# KSI Series Sealed Tact Switches



## Features/Benefits

- Long and soft actuator
- Distinctive tactile feel
- 1.1 & 3 N actuation force
- Salt mist resistance 96 hours
- Ground terminal optional

## Typical Applications

- Computer mouse
- Automotive
- Automation
- Door entry systems
- Remote controls

## Specification

FUNCTION: Momentary action  
 CONTACT ARRANGEMENT: 1 make contact = SPST, N.O.  
 DISTANCE BETWEEN BUTTON CENTERS (min.): 7.62 (0.300)  
 TERMINALS: PC pins

## Mechanical

Type	Actuation force N (grams)	Operating life (operations)	Travel to make
KSI0M011	1.1 (110)	500,000	0,4 ± 0,15
KSI0M411	3.0 (300)	100,000	1,1 ± 0,2
KSI0V211*	2.0 (200)	300,000	0,8 ± 0,2
KSI0V411*	4.0 (400)	100,000	1,1 ± 0,2

## Electrical

	Silver	Gold
MAXIMUM POWER:	1 VA	0.2 VA
MAXIMUM VOLTAGE:	50 VDC	50 VDC
MINIMUM VOLTAGE:	20 mV	20 mV
MAXIMUM CURRENT:	50 mA	10 mA
MINIMUM CURRENT:	1 mA	1 mA

DIELECTRIC STRENGTH (50 Hz, 1 min.): 300 Vrms  
 CONTACT RESISTANCE: < 50 mΩ  
 INSULATION RESISTANCE (100V): > 10<sup>11</sup> Ω  
 BOUNCE TIME: < 1 ms

## Environmental

	Silver	Gold
OPERATING TEMPERATURE:	-40°C to 90°C	-40°C to 125°C
STORAGE TEMPERATURE:	-40°C to 90°C	-55°C to 125°C

## Process

SOLDERING: Protected against flux and is compatible with the following soldering processes:

- Fluxing of PCB bottom side
- Preheating at 85°C
- Wave soldering (Tin/Lead 40-60) 250°C for 2 sec.
- Cooling down to ambient temperature.
- Eventual cleaning by brushing on soldered side. TMS Freon to be avoided.

## Packaging

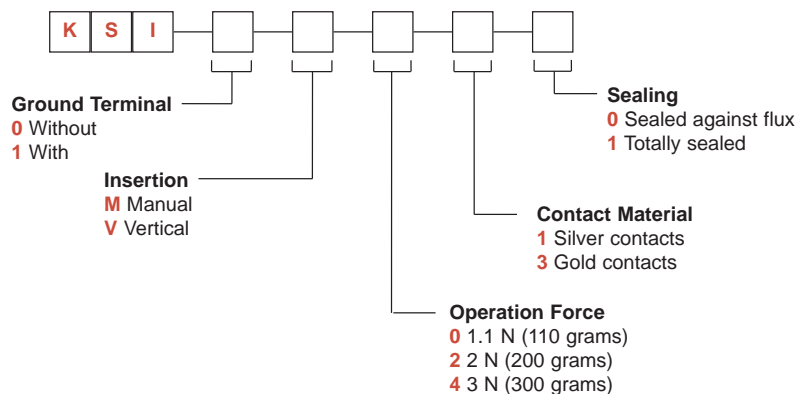
Delivered in boxes of 500 pieces.

**NOTE:** Part numbers listed above do not represent all possible configurations. For information on specific and custom switches, consult Customer Service Center.

\* Durometer for silicone actuator is 50 shore

## How To Order

Our easy build-a-switch concept allows you to mix and match options to create the switch you need. To order, select desired option from each category and place it in the appropriate box.



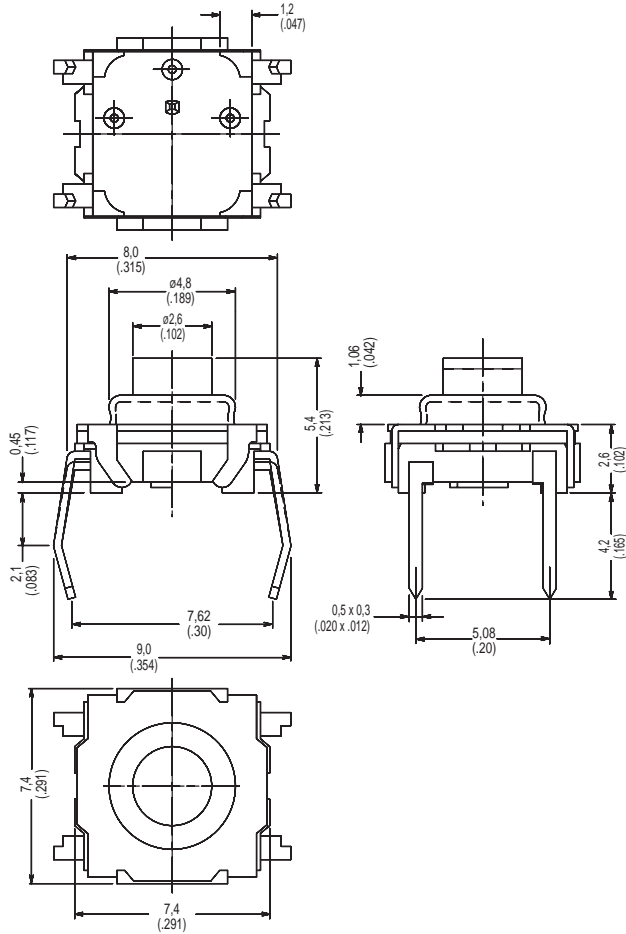
# KSI Series Sealed Tact Switches

SERIES

KSI



KSI0M010



GROUND TERMINAL

0 WITHOUT

1 WITH

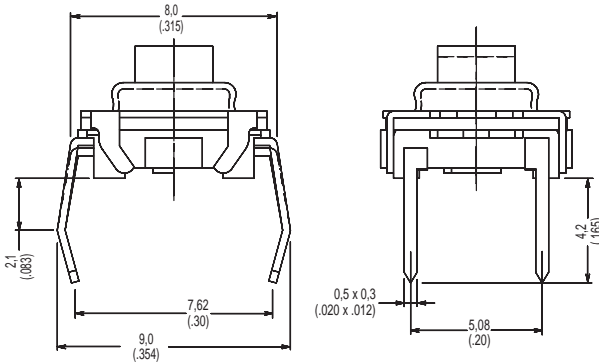
Tactile Switches

B

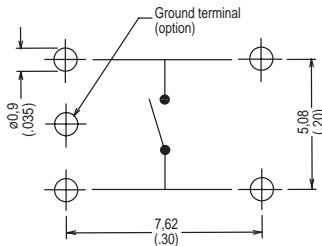
# KSI Series Sealed Tact Switches

## INSERTION

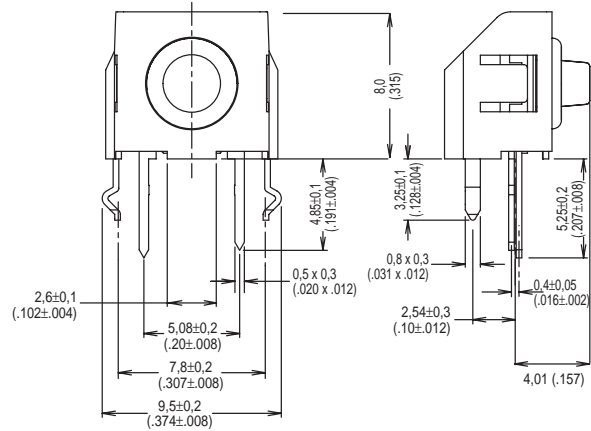
### M MANUAL



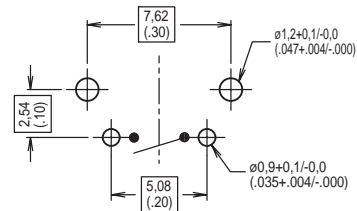
#### PCB LAYOUT



### V VERTICAL



#### PCB LAYOUT




  
**Tactile Switches**

## OPERATING FORCE

OPTION CODE	OPERATING FORCE
0	1.1 N (110 grams)
2	2 N (200 grams)
4	3 N (300 grams)

## CONTACT MATERIAL

OPTION CODE	CONTACT MATERIAL
1	Silver contacts
3	Gold contacts

## SEALING

OPTION CODE	SEALING
0	Sealed against flux
1	Totally sealed