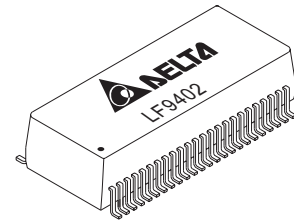




100/1000BASE-T TRANSFORMER MODULES

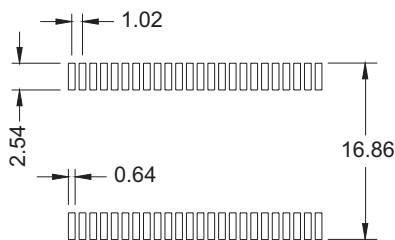
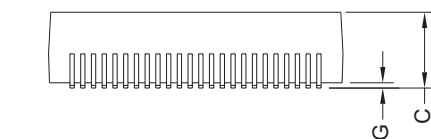
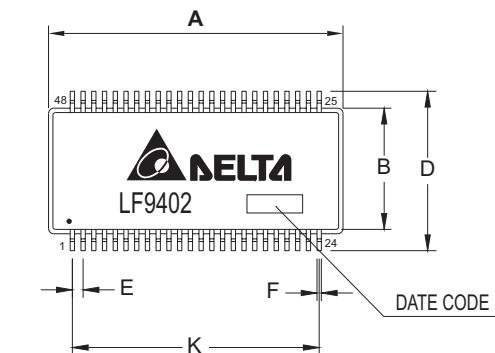
Networking Components



ELECTRICAL CHARACTERISTICS @25°C

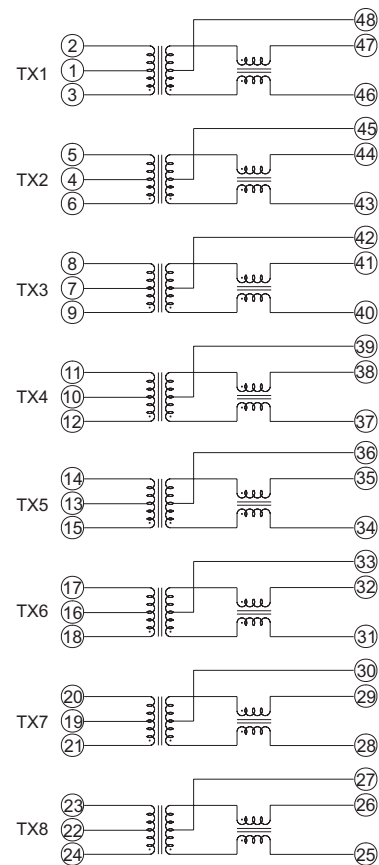
Rise Time & Fall Time @5.0ns (Max), Hi-Pot Test @60Sec, 1500Vrms, OCL @8mA DC Bias 350uH (Min)																
Model	Insertion Loss (dB Max)			Return Loss (dB Min)					Cross Talk (dB Min)			Com. To Com. Rejection Ratio (dB Min)	Diff. To Com. Mode Rejection (dB Min)			Turns Ratio TX/RX (± 5%)
	1-60	60-100	100-125	1-30	40	50	60-80	100	30	60	100	1-100	30	60	100	1
	MHz			MHz					MHz			MHz			MHz	
LF9402	-0.5	-1.0	-1.2	-18	-14.4	-13.1	-12	-10	-40	-35	-30	-30	-40	-35	-30	1:1 / 1:1

MECHANICAL CONSTRUCTION



UNIT : mm / inch
 A = 27.81.00 ± 0.254 / 1.095 ± 0.010
 B = 12.20 ± 0.254 / 0.480 ± 0.010
 C = 7.24 ± 0.254 / 0.285 ± 0.010
 D = 15.24 ± 0.254 / 0.600 ± 0.010
 E = 1.02 / 0.040 (TYP)
 F = 0.41 ± 0.127 / 0.016 ± 0.005
 G = 0.254 ± 0.127 / 0.010 ± 0.005
 H = 0.254 / 0.010 (TYP)
 I = 0.69 ± 0.254 / 0.027 ± 0.010
 J = 0°~8°
 K = 23.46 / 0.924 (TYP)

SCHEMATICS



DELTA ELECTRONICS, INC.

(TAOYUAN PLANT CPBG) 252, SAN YING ROAD, KUEI SAN INDUSTRIAL ZONE, TAOYUAN SHIEN, TAIWAN, R.O.C.
 TEL: 886-3-3591968; FAX: 886-3-3591991
 Http://www.deltaww.com/products/networking