
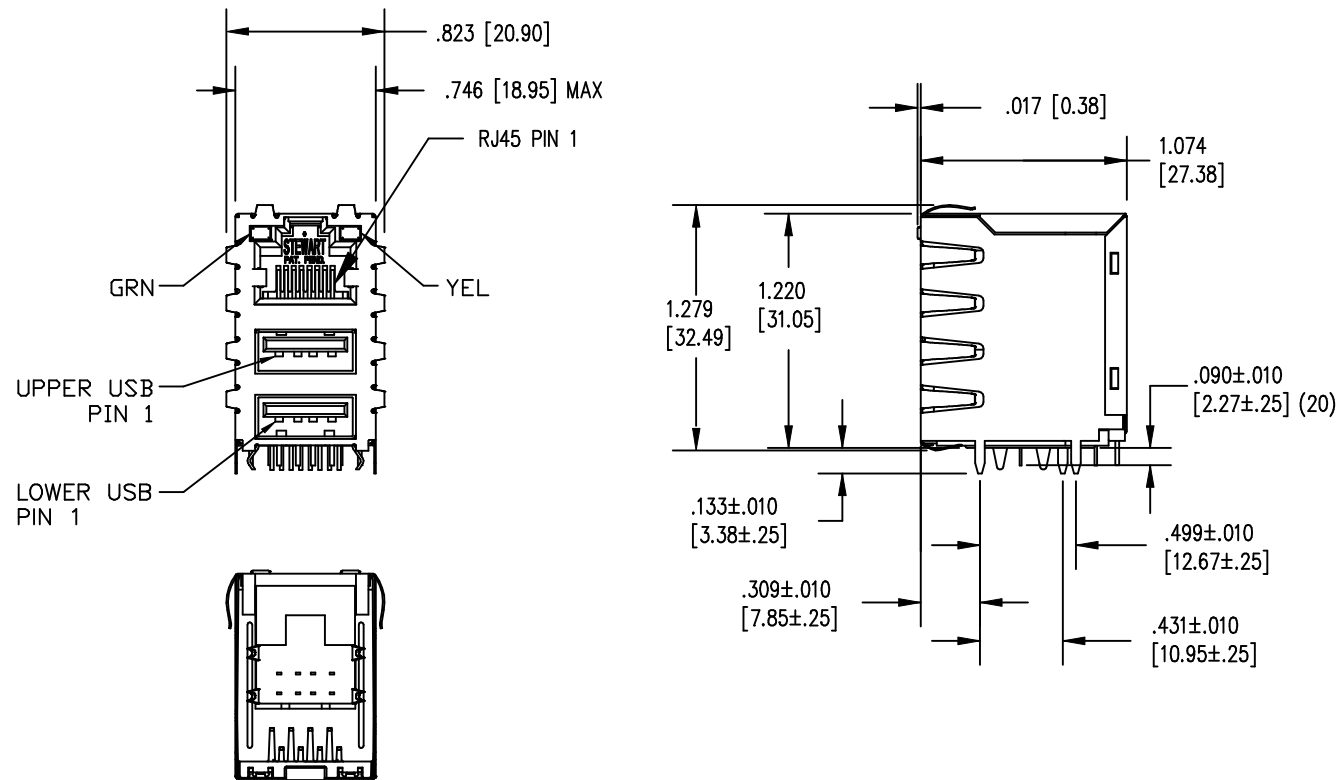


ELECTRICAL SPECIFICATIONS:

- 1.0 TURNS RATIO:  $(P6-P7-P8) : (J6-J3)$  : 1CT : 1  $\pm 3\%$   
 $(P2-P3-P1) : (J2-J1)$  : 1CT : 2  $\pm 3\%$
- 2.0 INDUCTANCE:  $(P6-P8)=(J6-J3)$  : 98uH MIN. @ 0.01V, 10KHz  
 $(P3-P1)$  : 18uH MIN. @ 0.01V, 10KHz
- 3.0 LEAKAGE INDUCTANCE: P6-P8 (WITH J6 AND J3 SHORT) : 0.3uH MAX. @ 1MHz  
P3-P1 (WITH J2 AND J1 SHORT) : 0.08uH MAX. @ 1MHz
- 4.0 INTERWINDING CAPACITANCE:  $(P6,P8)$  TO  $(J6,J3)$  : 8pf MAX @ 1MHz  
 $(P3,P1)$  TO  $(J2,J1)$  : 6pf MAX. @ 1MHz
- 5.0 DC RESISTANCE:  $(J6-J3)=(J2-J1)$  : 0.7 ohms Max.  
 $(P6-P7)=(P7-P8)$  : 0.3 ohms Max.  
 $(P2-P1)=(P2-P3)$  : 0.3 ohms Max.
- 6.0 DIELECTRIC WITHSTAND:  $(P6,P8)$  TO  $(J6,J3)$  : 1500VAC  
 $(P3,P1)$  TO  $(J2,J1)$  : 1500VAC

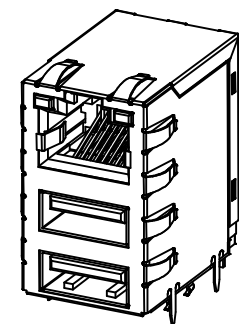
	<b>InNet Technologies, Inc.</b> <a href="http://www.innet-tech.com">http://www.innet-tech.com</a>	
	<b>Stewart Connector</b> Stewart Connector Systems <a href="http://www.stewartconnector.com">http://www.stewartconnector.com</a>	
SHEET 1 OF 3	DRAWING NO. SI-70015	REV. X3



RJ45/USB COMBO MAGJACK W/LEDS  
WITH PANEL GROUND SHIELD

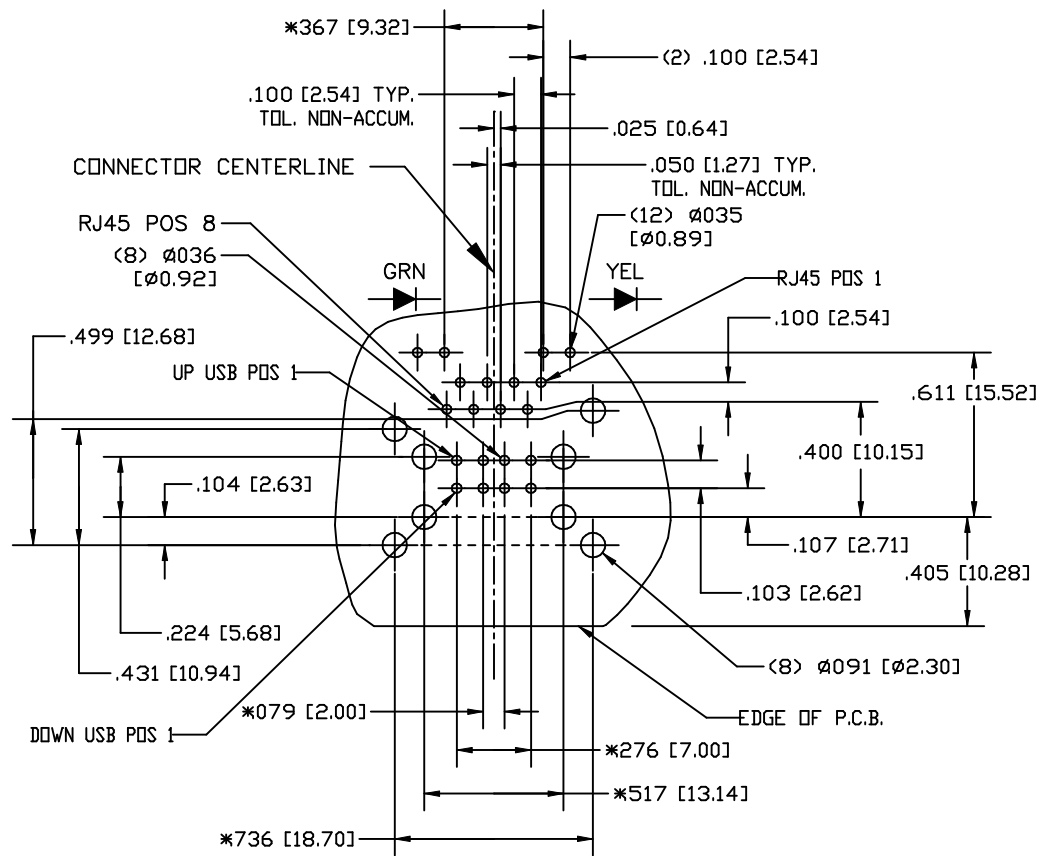


NOTES:

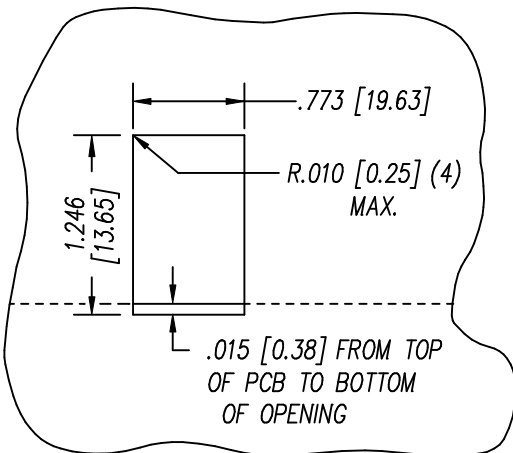
- 1.0 TOLERANCE COMPLY WITH FCC DIMENSION REQUIREMENTS.
- 2.0 PIN NOT ELECTRICALLY CONNECTED MAY BE OMITTED. SEE ELECTRICAL DRAWING FOR OMITTED PINS.
- 3.0 MATERIAL:  
 PLASTIC: UL94V-ø  
 TERMINAL USB: Au AT 30 MICROINCHES  
 TERMINAL RJ45: 50 MICROINCHES Au OVER 50 MICROINCHES Ni OVER PHOSBRONZE SHIELD, BOTH USB AND RJ45: BRASS PLATED W/EITHER Ni OR TIN-LEAD
- 4.0 GENERAL TOLERANCE: ±.005 [.127]





	InNet Technologies, Inc. <a href="http://www.innet-tech.com">http://www.innet-tech.com</a>	
	 Stewart Connector Systems <a href="http://www.stewartconnector.com">http://www.stewartconnector.com</a>	
SHEET 2 OF 3	DRAWING NO. SI-70015	REV. X



P.C.B. RECOMMENDED HOLE LAYOUT  
 SEEN FROM COMPONENT SIDE  
 TOLERANCE ±.003 [0.08] UNLESS OTHERWISE SPECIFIED



SUGGESTED PANEL OPENING (N.T.S.)

 <b>InNet Technologies, Inc.</b> <a href="http://www.innet-tech.com">http://www.innet-tech.com</a>		<b>Stewart Connector</b>  <b>Stewart Connector Systems</b> <a href="http://www.stewartconnector.com">http://www.stewartconnector.com</a>