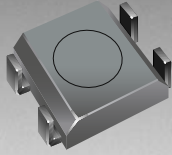


*RoHS COMPLIANT



BOURNS®

Features

- Available in E6 series
- Low unit height of 1.8 mm
- High current
- RoHS compliant*

Applications

- Input/output of DC/DC converters
- Power supplies for:
 - Portable communication equipment
 - Camcorders
 - LCD TVs
 - Car radios

SRR0618 Series - Shielded Power Inductors

Electrical Specifications

| Bourns Part No. | Inductance 100kHz | | Q Ref. | Test Frequency (kHz) | SRF Nom. (MHz) | RDC Max. (Ω) | I rms Typ. (A) | I sat Typ. (A) |
|-----------------|-------------------|--------|--------|----------------------|----------------|--------------|----------------|----------------|
| | (μH) | Tol. % | | | | | | |
| SRR0618-2R2ML | 2.2 | ± 20 | 30 | 100 | 95 | 0.05 | 1.70 | 2.10 |
| SRR0618-3R3ML | 3.3 | ± 20 | 30 | 100 | 70 | 0.07 | 1.40 | 1.75 |
| SRR0618-4R7ML | 4.7 | ± 20 | 30 | 100 | 65 | 0.10 | 1.05 | 1.45 |
| SRR0618-6R8ML | 6.8 | ± 20 | 30 | 100 | 50 | 0.15 | 0.95 | 1.18 |
| SRR0618-100ML | 10.0 | ± 20 | 30 | 100 | 45 | 0.22 | 0.82 | 0.98 |
| SRR0618-150ML | 15.0 | ± 20 | 30 | 100 | 35 | 0.31 | 0.60 | 0.76 |
| SRR0618-220ML | 22.0 | ± 20 | 30 | 100 | 25 | 0.46 | 0.47 | 0.60 |
| SRR0618-330ML | 33.0 | ± 20 | 30 | 100 | 22 | 0.68 | 0.43 | 0.53 |
| SRR0618-470ML | 47.0 | ± 20 | 30 | 100 | 20 | 1.10 | 0.36 | 0.44 |
| SRR0618-680ML | 68.0 | ± 20 | 30 | 100 | 15 | 1.50 | 0.30 | 0.37 |
| SRR0618-101ML | 100.0 | ± 20 | 30 | 100 | 13 | 2.30 | 0.23 | 0.27 |

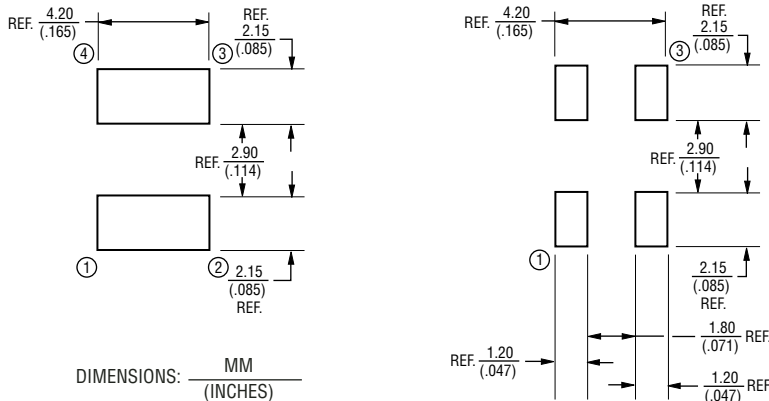
General Specifications

Test Voltage0.1 Volt
 Reflow Soldering230 °C, 50 sec max.
 Operating Temperature ..-40 °C to +125 °C
 (Temperature rise included)
 Storage Temperature..-40 °C to +125 °C
 Resistance to Soldering Heat
260 °C for 10 sec.

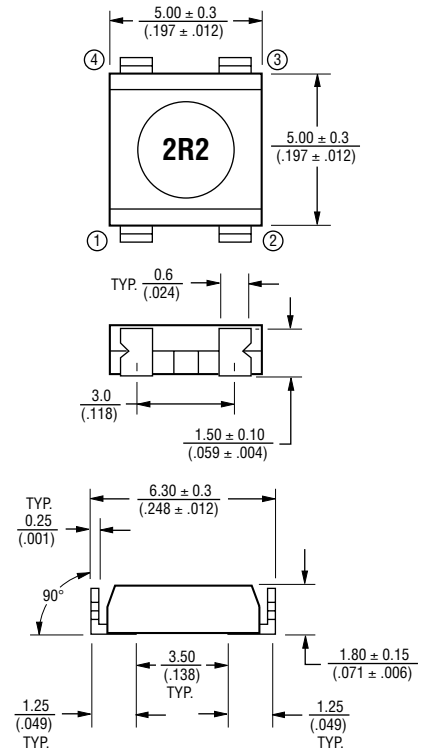
Materials

Core Material.....Ferrite DR
 WireEnamelled Copper
 BaseFerrite Core
 Terminal.....Cu/Ni/Sn
 Rated Current...Ind. drop 50 % typ at I sat
 Temperature Rise .40 °C max at rated I rms
 Packaging.....800 pcs. per reel

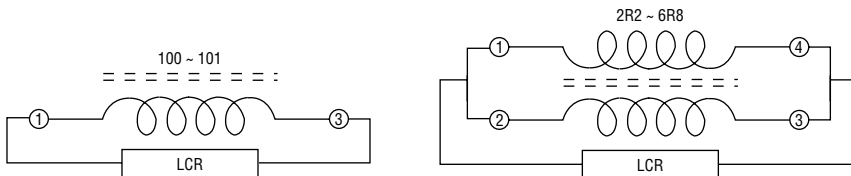
Recommended Layout



Product Dimensions



Electrical Schematic

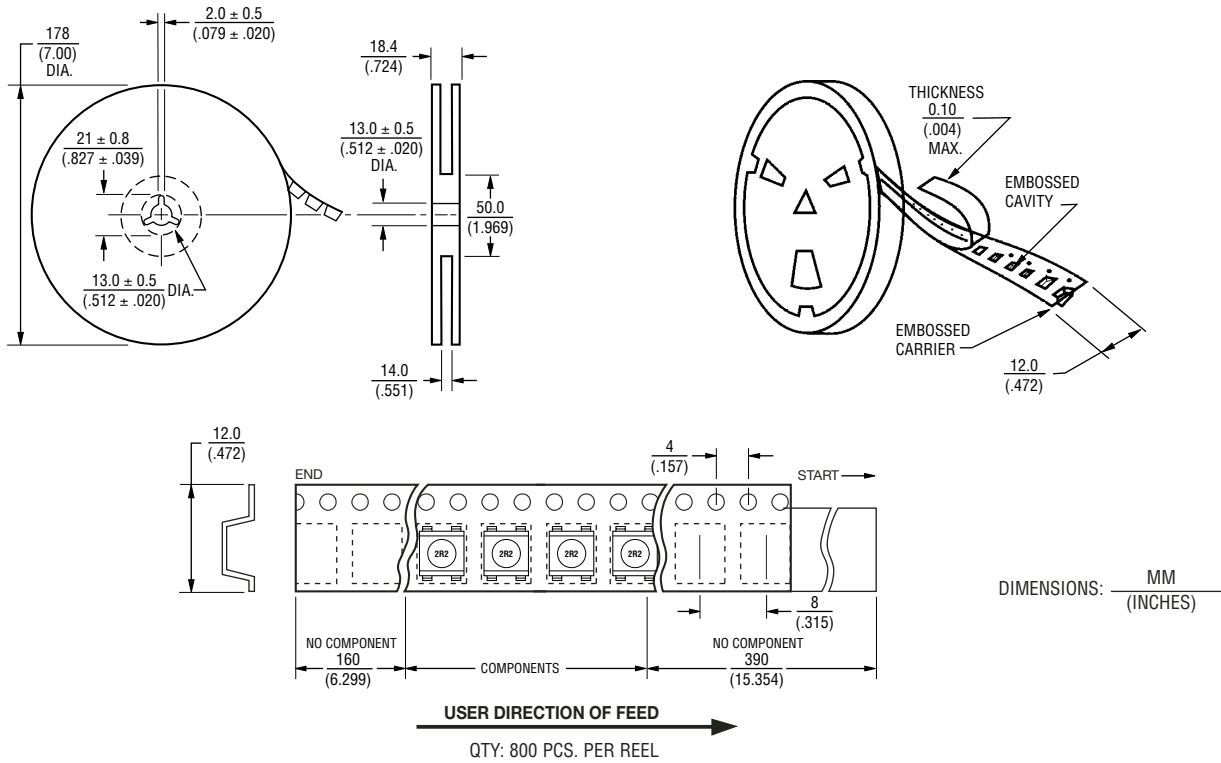


*RoHS Directive 2002/95/EC Jan 27 2003 including Annex
 Specifications are subject to change without notice.
 Customers should verify actual device performance in their specific applications.

SRR0618 Series - Shielded Power Inductors

BOURNS®

Packaging Specifications



REV. 03/06

Specifications are subject to change without notice.
 Customers should verify actual device performance in their specific applications.