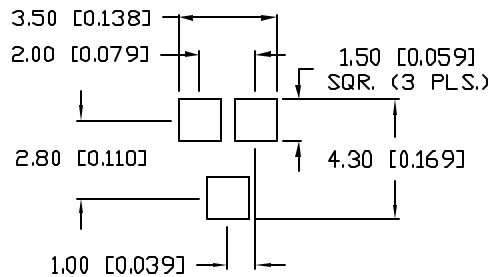
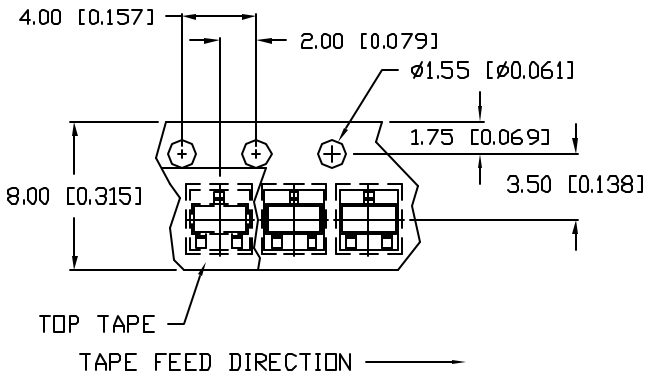
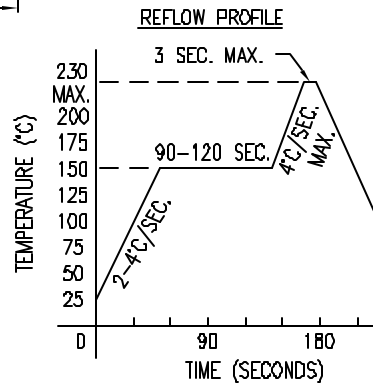
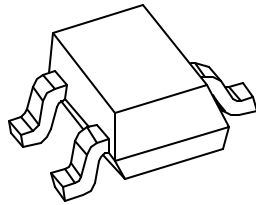
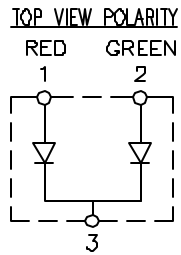
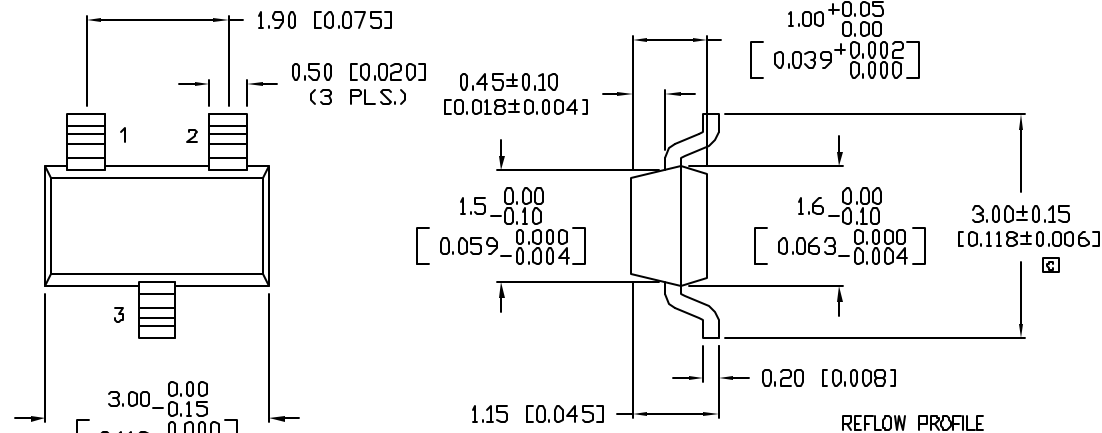


UNCONTROLLED DOCUMENT



| | | |
|-------------------|-------------------------------------|---------|
| PART NUMBER | | REV. |
| SSL-LX15IGC-RP-TR | | F |
| REV. | E.C.N. NUMBER AND REVISION COMMENTS | DATE |
| A | CORRECTED SOLDER SPEC. | 11.6.95 |
| B | E.C.N. #10165. | 5.21.96 |
| C | E.C.N. #10412. | 4.28.98 |
| D | E.C.N. #10BRDR. & REDRAWN. | 1.15.01 |
| E | E.C.N. #10752. | 5.25.01 |
| F | E.C.N. #10877. | 6.10.02 |

ELECTRO-OPTICAL CHARACTERISTICS $T_A=25^\circ\text{C}$ $I_f=20\text{mA}$

| PARAMETER | MIN | TYP | MAX | UNITS | TEST COND |
|-----------------------|-------------|-------------|-----|----------------|-----------------------|
| PEAK WAVELENGTH | | 635 (RED) | | nm | |
| | | 565 (GREEN) | | nm | |
| FORWARD VOLTAGE (R/G) | | 2.0/2.1 | 2.8 | V _f | |
| REVERSE VOLTAGE | 5.0 | | | V _r | I _f =100µA |
| AXIAL INTENSITY | | 10 | | mcd | I _f =20mA |
| VIEWING ANGLE | | 140 | | 2x theta | |
| EMITTED COLOR: | RED/GREEN | | | | |
| EPOXY LENS FINISH: | WATER CLEAR | | | | |

LIMITS OF SAFE OPERATION AT 25°C PER CHIP

| PARAMETER | COLORS | MAX | UNITS |
|--------------------------|--------|------------|-------|
| PEAK FORWARD CURRENT* | | 160 | mA |
| STEADY CURRENT | (R/G) | 30/25 | mA |
| POWER DISSIPATION | | 100 | mW |
| DERATE FROM 25°C | | -1.2 | mW/°C |
| OPERATING, STORAGE TEMP. | | -30 TO +85 | °C |

* $t < 10\mu\text{s}$

NOTES:

1. 3,000 PIECES PER REEL.
2. THE CATHODE IS OREINTED TOWARDS THE TAPE SPROCKET HOLE.
3. LABEL MUST BE PERMANENTLY ATTACHED TO EACH REEL.

UNCONTROLLED DOCUMENT

*UNLESS OTHERWISE SPECIFIED TOLERANCES PER DECIMAL PRECISION ARE: X=±1 (±0.039), XX=±0.5 (±0.020), XXX=±0.25 (±0.010), XXXX=±0.127 (±0.005). LEAD SIZE=±0.05 (0.002), LEAD LENGTH=±0.75 (±0.030), MIN= +0.00/ -0.00, MAX.= +0.00/ -0.00

| | |
|---|-------------------|
| REV. | PART NUMBER |
| F | SSL-LX15IGC-RP-TR |
| SOT-23 SURFACE MOUNT 635nm RED/565nm GREEN LED, WATER CLEAR LENS, TAPE AND REEL. | |

CONFIDENTIAL INFORMATION
 THE INFORMATION CONTAINED IN THIS DOCUMENT IS THE PROPERTY OF LUMEX INC. EXCEPT AS SPECIFICALLY AUTHORIZED IN WRITING BY LUMEX INC., THE HOLDER OF THIS DOCUMENT SHALL KEEP ALL INFORMATION CONTAINED HEREIN CONFIDENTIAL AND SHALL PROTECT SAME IN WHOLE OR IN PART FROM DISCLOSURE AND DISSEMINATION TO ALL THIRD PARTIES.

RELIABILITY NOTE
 OUR MANY YEARS OF EXPERIENCE DATA ACCUMULATION INDICATE THAT SOLDER HEAT IS A MAJOR CAUSE OF EARLY AND FUTURE FAILURE. PLEASE PAY ATTENTION TO YOUR SOLDERING PROCESS.

| | | |
|-----------|-------------|---|
| | | 290 E. HELEN ROAD PALATINE, IL 60067-6976 PHONE: +1.847.359.2790 US WEB: www.lumex.com TW WEB: www.lumex.com.tw |
| DRAWN BY: | CHECKED BY: | APPROVED BY: |
| BC | | |
| DATE: | 2.23.95 | |
| PAGE: | 1 OF 1 | |
| SCALE: | N/A | |