

6W STEREO POWER AMPLIFIER—YD1519B

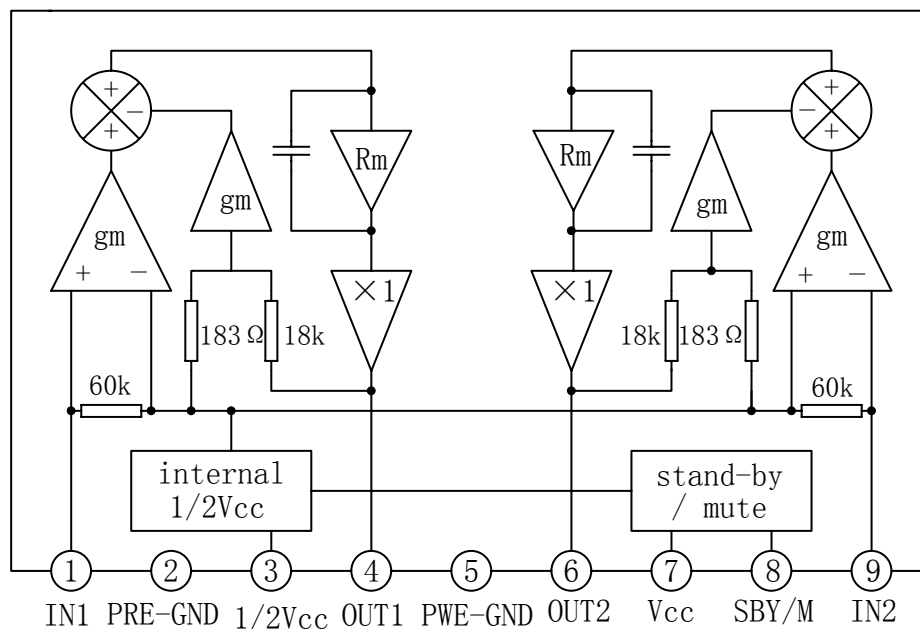
DESCRIPTION

The YD1519B is an integrated class-B dual output amplifier in a 9-lead single in-line (SIL) plastic medium power package. The device is primarily developed for car radio applications.

FEATURES

- *Requires very few external components for Bridge Tied Load (BTL), Stereo or BTL application;
- *High output power, Fixed gain, Good ripple rejection;
- * Identical inputs (inverting and non-inverting), Low offset voltage at output (important for BTL);
- *Mute/stand-by switch, No switch-on/switch-off plop;
- *Load dump protection, AC and DC short-circuit-safe to ground and V_{cc} , Thermally protected;
- *Reverse polarity safe;
- *Capability to handle high energy on outputs ($V_{cc}=0V$);
- *Protected against electrostatic discharge.

BLOCK DIAGRAM



WuXi YouDa Electronics Co., Ltd

Add: No.5 Xijin Road, National Hi-Tech Industrial Development Zone, Wuxi Jiangsu China

Tel: 86-510-85205117 86-510-85205106 Fax: 86-510-85205110 Website: www.e-youda.com

SHENZHEN OFFICE Tel: 86-755-83740369 Fax: 86-755-83741418

ABSOLUTE MAXIMUM RATINGS (Tamb=25°C)

PARAMETER	SYMBOL	TEST CONDITIONS	VALUE	UNIT
Supply Voltage Operating	Vcc		18	V
Non-operating	Vcc		30	V
Load Dump Protected	Vcc	During 50 ms; $t_r \geq 2.5\text{ms}$	45	V
AC And DC Shot-circuit-safe Voltage	Vccsc		18	V
Reverse Polarity	Vccr		6	V
Non-repetitive Peak Output Current	I _{OSM}		4	A
Repetitive Peak Output Current	I _{ORM}		2.5	A
Total Power Dissipation	P _D	Infinite Heat Sink	15	W
		No Heat Sink	3.0	
Operating Temperature	Topr		-20~+75	°C
Storage Temperature	Tstg		-55~+150	°C

ELECTRICAL CHARACTERISTICS

DC CHARACTERISTICS

(Vcc=14.4V, Tamb=25°C, stereo, unless otherwise specified)

PARAMETER	SYMBOL	TEST CONDITIONS	MIN	TYP	MAX	UNIT
Supply Voltage Range	Vcc		6.0	14.4	18.0	V
Total Quiescent Current	Iccq			40	80	mA
DC Output Voltage	V _o			7.0		V
DC Output Offset Voltage	\Delta V4-6	Operating/Mute			250	mV
Switch-on Voltage Level	V _{ON}	Operating	8.5		Vcc	V
Mute Condition	V _{mute}	Mute	3.3		6.4	V
Stand-by Condition	V _{st-by}	Stand-by	0		2.0	V
DC Current in Stand-by	Iccsb	V8 ≤ 2.0V			100	μ A
Control Current in Stand-by	I8sb	V8 ≤ 2.0V		12	40	μ A

AC CHARACTERISTICS

V_{cc}=14.4V, R_L=4 Ω, f=1kHz; T_{amb}=25°C, stereo, unless otherwise specified

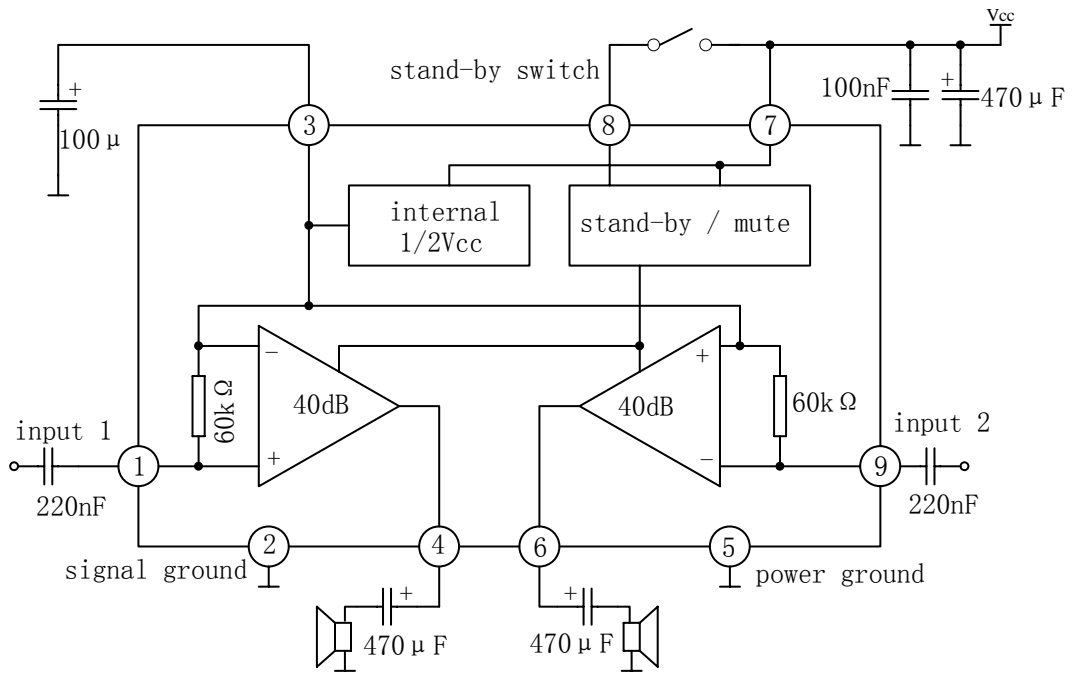
PARAMETER	SYMBOL	TEST CONDITIONS	MIN	TYP	MAX	UNIT
Output Power	P _o	THD=0.5%	4	5		W
		THD=10%	5.5	6.0		W
Output Power	P _o	V _{cc} =13.2V, THD=0.5%		3.5		W
		V _{cc} =13.2V, THD=10%		4.8		W
Total Harmonic Distortion	THD	P _o =1W		0.1		%
Output Signal In Mute Position	V _o	V _{in} =1V(max.); f=20 Hz to 15 kHz			20	mV
Low Frequency Roll-off	f _L	-3dB		45		Hz
High Frequency Roll-off	f _H	-3dB	20			kHz
Closed Loop Voltage Gain	G _v		39	40	41	dB
Supply Voltage Ripple Rejection	RR	ON, V _r =2Vp-p, R _g =0, f _r =100Hz	40			dB
		ON, V _r =2Vp-p, R _g =0, f _r =1kHz~10kHz	45			dB
		Mute, V _r =2Vp-p, R _g =0, f _r =100Hz,	45			dB
		Stand-by, 1kHz~10kHz	80			dB
Input Impedance	Z _i		50	60	75	k Ω
Noise Output Voltage (RMS value)	V _{no}	ON, R _g =0 Ω, BPF=20Hz~20kHz		150	500	μ V
		ON, R _s =10k Ω BPF=20Hz~20kHz		250		μ V
		Mute, BPF=20Hz~20kHz		120		μ V
Channel Separation	α	R _s =10k Ω	40			dB
Channel Unbalance	ΔG _v			0.1	1	dB

AC CHARACTERISTICS

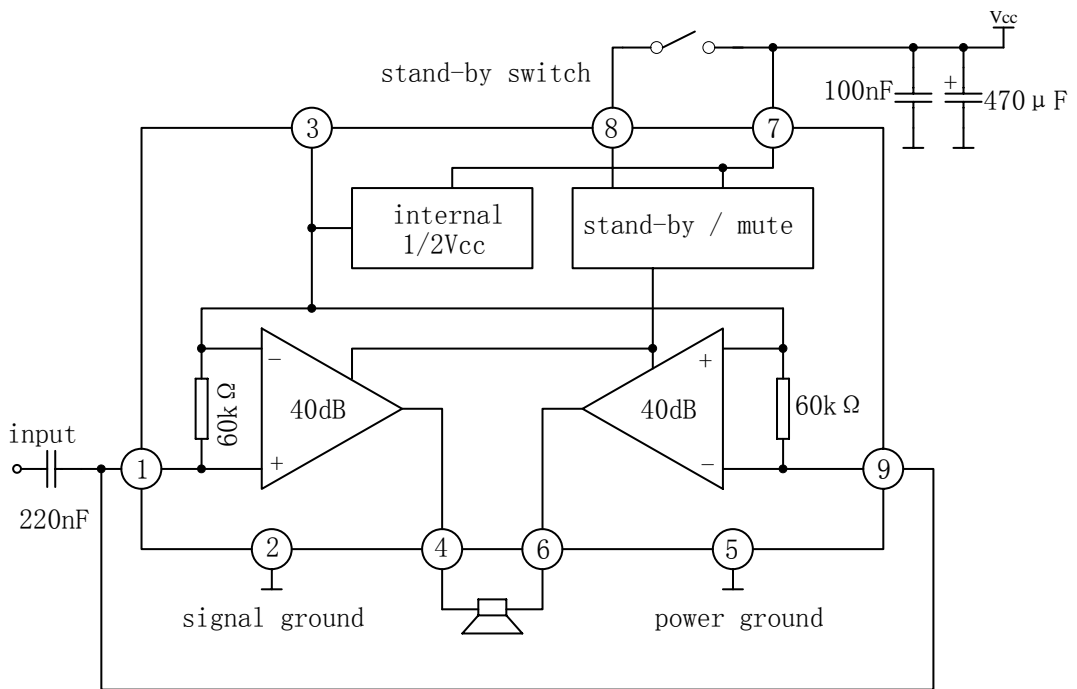
(V_{cc}=14.4V, R_L=8Ω, f=1KHz, Tamb=25°C; BTL, unless otherwise specified)

PARAMETER	SYMBOL	TEST CONDITIONS	MIN	TYP	MAX	UNIT
Output Power	Po	THD=0.5%	8	10		W
		THD=10%	11	12		W
Output Power	Po	V _{cc} =13.2V , THD=0.5%		7.5		W
		V _{cc} =13.2V , THD=10%		10		W
Total Harmonic Distortion	THD	Po =1W		0.1		%
Output Signal In Mute Position	Vo	Vin=1V(max.); f=20 Hz to 15 kHz			40	mV
Low Frequency Roll-off	f _L	-3dB		45		Hz
High Frequency Roll-off	f _H	-3dB	20			KHz
Closed Loop Voltage Gain	Gv		45	46	47	dB
Supply Voltage Ripple Rejection	RR	ON, Vr=2Vp-p, Rg=0, fr=100Hz	34			dB
		ON, Vr=2Vp-p, Rg=0, fr=1kHz~10kHz	48			dB
		Mute Vr=2Vp-p, Rg=0, fr=100Hz,	48			dB
		Stand-by 1kHz~10kHz	80			dB
Input Impedance	Zi		25	30	38	kΩ
Noise Output Voltage (RMS value)	Vno	ON, Rg=0Ω, BPF=20Hz~20kHz		200		μV
		ON, Rs=10kΩ BPF=20Hz~20kHz		350	700	μV
		Mute, BPF=20Hz~20kHz		180		μV

APPLICATION CIRCUIT



Stereo application circuit diagram



BTL application circuit diagram

OUTLINE DRAWING

