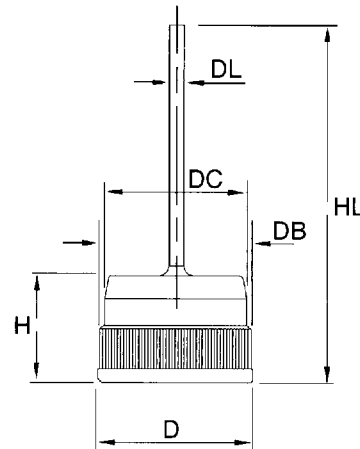




ENGINEERING DATA - 1/2" BOSCH TYPE DIODES WITH MOLDED CAP

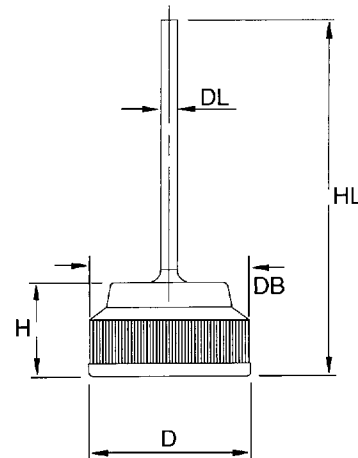
50 AMP DIMENSIONS

SYM.	INCHES		MILLIMETERS	
	MIN.	MAX.	MIN.	MAX.
D	.508	.514	12.90	13.06
DC	.465	.475	11.81	12.06
DB	.501	.506	12.72	12.85
DL	.050	.053	1.27	1.35
H	.360	.410	9.14	10.41
HL	1.150	1.225	29.21	31.11



35 AMP DIMENSIONS

SYM.	INCHES		MILLIMETERS	
	MIN.	MAX.	MIN.	MAX.
DL	.050	.053	1.27	1.35
D	.508	.514	12.90	13.06
H	.304	.365	7.72	9.27
HL	1.100	1.150	27.94	29.21
DB	.501	.506	12.72	12.85



ELECTRICAL RATINGS OF STANDARD 1/2" BOSCH TYPE DIODE

CHARACTERISTICS	SYMBOL	UNIT			
RENARD PART NUMBER		7990, 7991	7950, 7951	7954, 7955	
Peak Repetitive Reverse voltage	V_{RRM}	200	200	200	Volts
Non Repetitive Peak Reverse Voltage	V_{RSM}	240	240	240	Volts
Average Rectified Forward Current	I_O	35	35	50	Amps
Non Repetitive Peak Surge Current	I_{FSM}	400	400	400	Amps
Operating and Storage Junction Temperature Range	T_J, T_{stg}	-65 to 175	-65 to +175	-65 to +175	°C
Thermal Resistance, Junction to Case	$R_{\theta JC}$	1.1	1.1	1.1	°C/Watt
Maximum Instantaneous Forward Voltage Drop I_F 80 Amp, T_C 25°C		1.2	1.2	1.2	Vdc
Maximum Reverse Current (rated dc voltage) T_C 25°C		1.0	1.0	1.0	Milliamp



ENGINEERING DATA - LUCAS

DIMENSIONS

SYM.	INCHES		MILLIMETERS	
	MIN.	MAX.	MIN.	MAX.
D	.399	.401	10.13	10.18
DL	.050	.053	1.27	1.35
H	.350	.370	8.89	9.40
HL	1.175	1.225	29.84	31.11

