
HA16341NT/FP, HA16342NT/FP

Redundant Secondary Switching Power Supply Controller

HITACHI

ADE-204-035C (Z)

Rev.3
Apr. 2001

Description

The HA16341NT/FP and the HA16342NT/FP are switching regulator control ICs for the off-line converters of redundant power supplies.

The HA16342NT/FP is reverse current detection less version of the HA16341NT/FP.

The HA16341NT/FP have the functions of current sharing and hot swap control for redundancy. These functions enable high efficiency and high reliability for switching power supplies.

Combination the HA16341 with the HA16141 is suitable for the redundant AC to DC converters.

Features

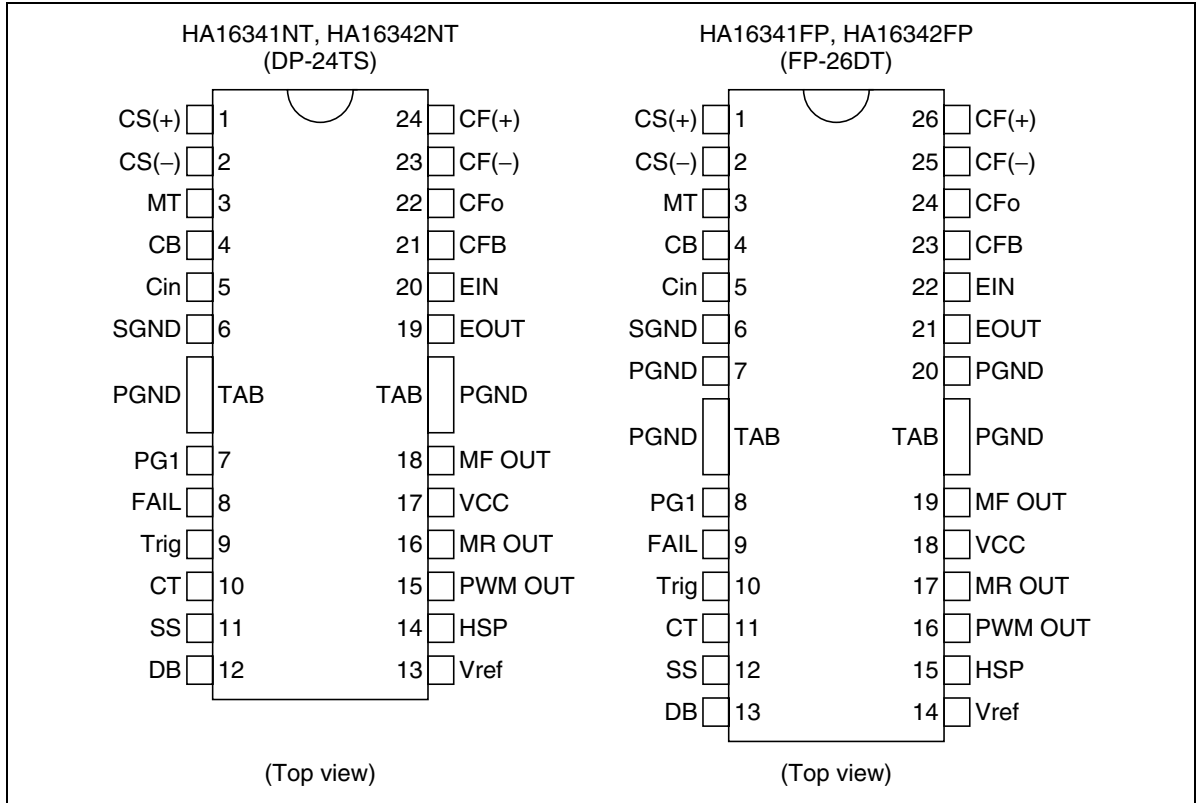
- Secondary-side synchronous rectification control
- Main switching controller
- Dead-time adjustment for synchronous rectification MOS
- Current share function with line resistance compensation
- Hot swap power MOS FET control
- Remote on/off function, FAIL output function
- Synchronized switching with primary side
- Soft start function
- Maximum duty adjustment
- Overcurrent limiting, overcurrent shutdown functions
- Reverse current detection (only the HA16341NT/FP)
- Light load detection
- OVP function
- VCC pin UVL function

HA16341NT/FP, HA16342NT/FP

Ordering Information

Type No.	Package
HA16341NT	DP-24TS
HA16342NT	
HA16341FP	FP-26DT
HA16342FP	

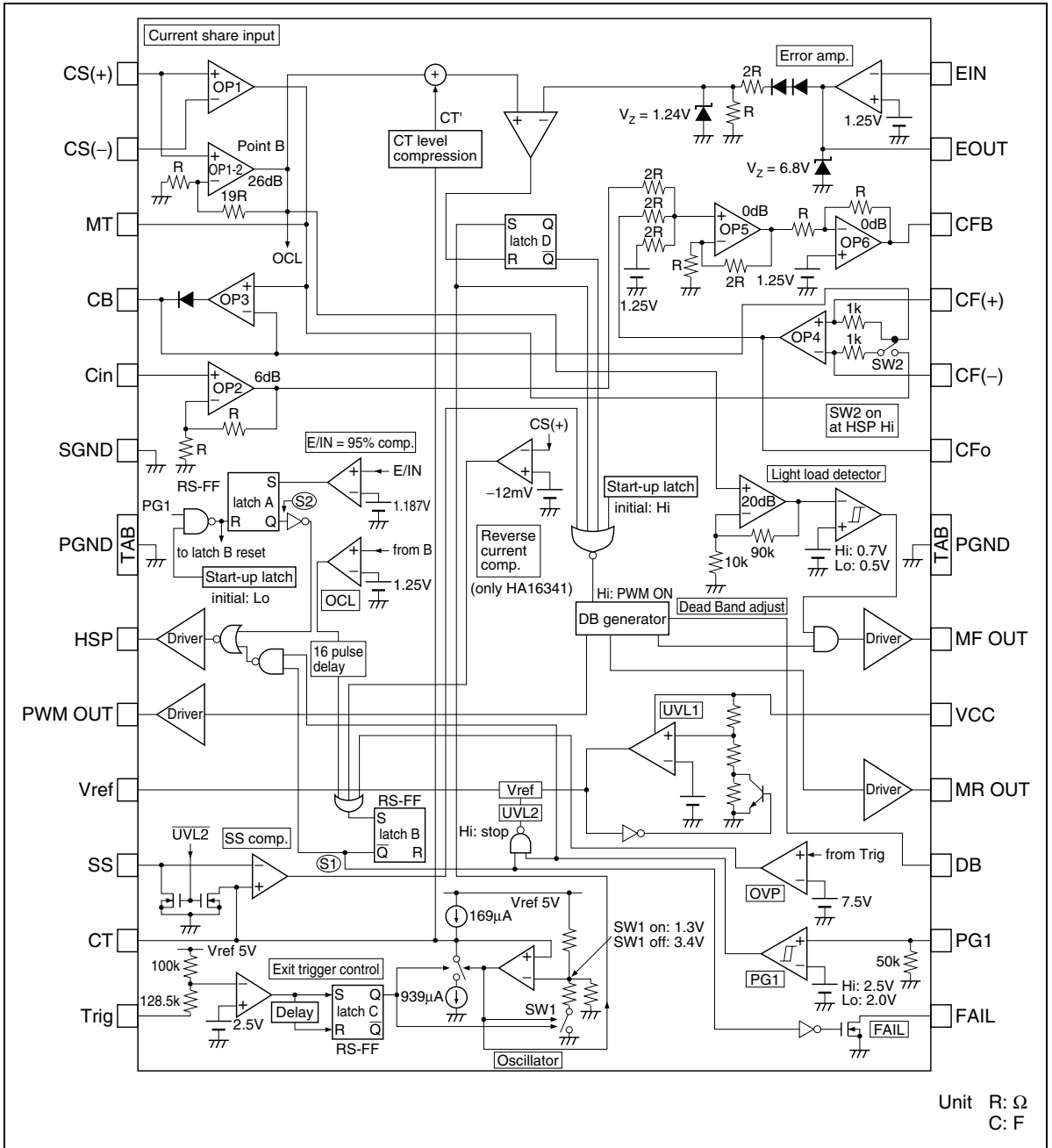
Pin Arrangement



Pin Functions

Pin No.		Symbol	Pin Name
DP-24TS	FP-26DT		
1	1	CS(+)	Current sense amp input (+)
2	2	CS(-)	Current sense amp input (-)
3	3	MT	Current sense amp output
4	4	CB	Current bus output
5	5	Cin	Line resistance compensation input
6	6	SGND	Signal ground
7	8	PG1	Remote on/off
8	9	FAIL	FAIL output (open-drain)
9	10	Trig	External synchronization input
10	11	CT	Timing capacitance
11	12	SS	Soft start
12	13	DB	Dead band
13	14	Vref	Vref (5 V)
14	15	HSP	Hot swap output
15	16	PWM OUT	PWM output
16	17	MR OUT	MR output
17	18	VCC	Power supply voltage
18	19	MF OUT	MF output
19	21	EOUT	Error amp output
20	22	EIN	Error amp input
21	23	CFB	Current share feedback output
22	24	CFo	Current share differential amp output
23	25	CF(-)	Current share differential amp input (-)
24	26	CF(+)	Current share differential amp input (+)
TAB	TAB, 7, 20	PGND	Power ground

Block Diagram



Absolute Maximum Ratings

(Ta = 25°C)

Item	Symbol	Rating	Unit	Note
Supply Voltage	VCC	18	V	
DC output current1	Io1	±0.1	A	PWM OUT *1
Peak output current1	Iopeak1	±1.0	A	PWM OUT *2
DC output current2	Io2	±0.2	A	MF OUT *1
Peak output current2	Iopeak2	±2.0	A	MF OUT *2
DC output current3	Io3	±0.1	A	MR OUT *1
Peak output current3	Iopeak3	±1.0	A	MR OUT *2
DC output current4	Io4	-5	mA	CB OUT
DC output current5	Io5	±500	μA	CFB OUT
DC output current6	Io6	20	mA	FAIL OUT
DC output current7	Io7	-5.0	mA	Vref OUT
Peak output current4	Iopeak4	0.5	A	HSP sink
DC output current8	Io8	±500	μA	MT OUT
DC output current9	Io9	±500	μA	CFo OUT
DC output current10	Io10	6	mA	EOUT sink
TRIG terminal voltage	Vtrigmax	-1.5 to V _{CC}	V	
CT terminal voltage	VCTmax	-0.3 to Vref	V	
Vref terminal voltage	Vrefmax	-0.3 to Vref	V	
SS terminal voltage	Vssmax	-0.3 to Vref	V	
EIN terminal voltage	VEINmax	-0.3 to Vref	V	
EOUT terminal voltage	VEOUTmax	-0.3 to V _{CC}	V	
PG1 terminal voltage	VPG1max	-0.3 to Vref	V	
FAIL terminal voltage	VFAILmax	-0.3 to V _{CC}	V	
PWM OUT terminal voltage	VoPWMmax	-0.3 to V _{CC}	V	
MR OUT terminal voltage	VoMRmax	-0.3 to V _{CC}	V	
MF OUT terminal voltage	VoMFmax	-0.3 to V _{CC}	V	
HSP terminal voltage	VoHSPmax	-0.3 to V _{CC}	V	
CFB terminal voltage	VCFBmax	-0.3 to Vref	V	
CS(+) terminal voltage	VCS(+)max	-0.3 to Vref	V	
CS(-) terminal voltage	VCS(-)max	-0.3 to Vref	V	
MT terminal voltage	VMTmax	-0.3 to Vref	V	
Cin terminal voltage	VCinmax	-0.3 to Vref	V	

Notes: 1. V_{DS} = 10 V max. Therefore test condition must be V_{OH} = V_{CC} - 10 V or over, V_{OL} = 10 V or under.
2. V_{DS} = 10 V max. Pulse duration ≤ 10 ms

Absolute Maximum Ratings (cont.)

(Ta = 25°C)

Item	Symbol	Rating	Unit	Note
CF(+) terminal voltage	VCF(+)max	-0.3 to Vref	V	
CF(-) terminal voltage	VCF(-)max	-0.3 to Vref	V	
CFo terminal voltage	VCFomax	-0.3 to Vref	V	
CB terminal voltage	VCBmax	-0.3 to Vref	V	
DB terminal voltage	VDBmax	-0.3 to Vref	V	
Maximum power dissipation	P _T	4.17	W	1
Operating temperature	Topr	-40 to +105	°C	
Storage temperature	Tstg	-55 to +150	°C	
Junction temperature	Tj	150	°C	

Note: 1. This is allowable value up to Ta = 25°C.

Derate by $\theta_{j-a} = 30^{\circ}\text{C/W}$ above that temperature.

$\theta_{j-a} = 30^{\circ}\text{C/W}$ is the case that HA16341NT is mounted on 30% wiring density glass epoxy board (105 mm × 76.2 mm × 1.6 mm) and HA16341FP is mounted on a board which thermal resistance is 23°C/W because of θ_{j-pin} (SOP) = 7°C/W typ.

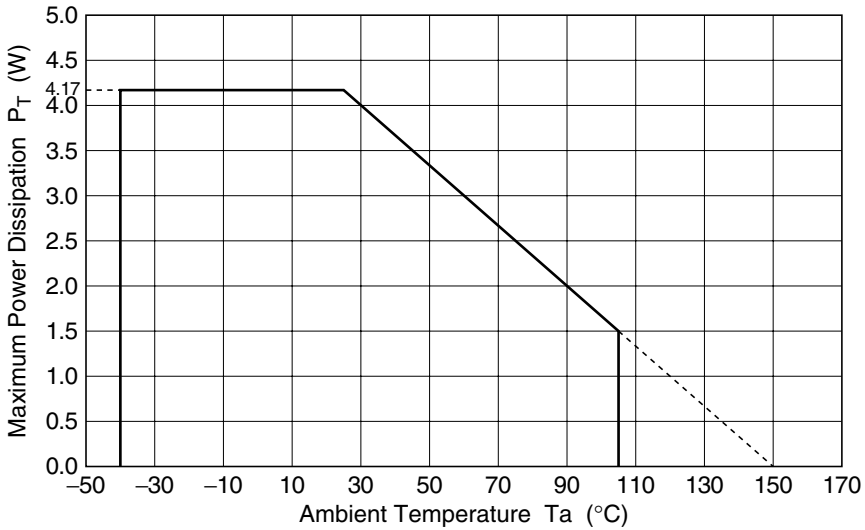


Figure 1 Derating Curve

Electrical Characteristics

($T_a = 25^\circ\text{C}$, $V_{CC} = 12\text{V}$, $\text{PG1} = 3\text{V}$, $V_{\text{trig}} = 0\text{V}$, $V_{\text{CS}(+)} = 0\text{V}$, $V_{\text{Cin}} = 0\text{V}$, $\text{CCT} = 330\text{pF}$, $\text{GvOP1} = 26\text{dB}$, $\text{GvOP4} = 40\text{dB}$, $\text{RDB} = 1.8\text{k}\Omega$)

- Current share

Item	Symbol	Min	Typ	Max	Unit	Test Conditions	Note
CB output Hi voltage	VCBH	2.5	—	—	V	losource = 300 μA VCS(+) = 1V	
CB output Lo voltage	VCBL	—	—	25	mV	VCS(+) = 0V, RCB = 10k Ω	
CFB output Lo voltage	VCFBL	—	—	100	mV	losink = 100 μA , HSP ON VCS(+) = 0V, VCB = 0.1V	
CFB output typ voltage	VCFBtyp	1.19	1.25	1.31	V	VCS(+) = 0V, VCB = 0V RfOP4 = 1k Ω , HSP ON	
OP1 input offset voltage	VioOP1	—	—	(1)	mV		1
CS(+) input bias current	libCS(+)	—	-20	-30	μA	VCS(+) = 0V, VCS(-) = 0V	
CS(-) input bias current	libCS(-)	—	0.2	1.0	μA	VCS(+) = 0V, VCS(-) = 0V	
Cin input bias current	libCin	—	0.2	1.0	μA	Vcin = 0V	
OP4 input resistance	Rsin	0.75	1.00	1.25	k Ω		1, 2
Open loop gain OP1-OP6	Avo	(70)	80	—	dB		1
Band width OP1-OP6	BWCS	—	700	—	kHz		1
OCL detector threshold voltage	VthOCL	59.5	62.5	65.5	mV	CS(+) terminal voltage sensing	
Light load detector threshold Hi voltage	VthHLL	(2.0)	3.5	(5.0)	mV	CS(+) terminal voltage sensing	1
Light load detector threshold Lo voltage	VthLLL	(1.0)	2.5	(4.0)	mV	CS(+) terminal voltage sensing	1
VthLL hysteresis	dVthLL	(0.5)	1.0	(1.5)	mV		1
Reverse current detector threshold Hi voltage	VthRC	-6	-12	-18	mV	CS(+) terminal voltage sensing	3

- Notes: 1. Design spec.
2. Temperature coefficient is 5400ppm/ $^\circ\text{C}$.
3. Only HA16341NT/FP.

- Hot swap

Item	Symbol	Min	Typ	Max	Unit	Test Conditions	Note
HSP ON threshold voltage	VthHSP	1.14	1.19	1.23	V	95% typ of reference 1.25V	
HSP charge current	IcHSP	-7	-10	-13	μA	VHSP = 5V, VEIN = 2V	
HSP output Lo voltage	VOLHSP	—	0.3	0.6	V	VEIN = 1V, losink = 50mA	

Electrical Characteristics (cont.)

($T_a = 25^\circ\text{C}$, $V_{CC} = 12\text{V}$, $\text{PG1} = 3\text{V}$, $V_{\text{trig}} = 0\text{V}$, $V_{\text{CS}(+)} = 0\text{V}$, $V_{\text{Cin}} = 0\text{V}$, $\text{CCT} = 330\text{pF}$, $\text{GvOP1} = 26\text{dB}$, $\text{GvOP4} = 40\text{dB}$, $\text{RDB} = 1.8\text{k}\Omega$)

• Oscillator

Item	Symbol	Min	Typ	Max	Unit	Test Conditions	Note
Typical oscillating frequency	fosc _{typ}	180	200	220	kHz		±10%
Maximum oscillating frequency	fosc _{max}	400	—	—	kHz		
Typical oscillating temperature stability	dfosc	—	±5	—	%	-20°C < T_a < 85°C	1
CT charge current	I _{ci}	-135	-169	-203	μA		±20%
CT discharge current	I _{cd}	616	770	924	μA		±20%
Upper trip point	V _{thCTH}	—	3.4	—	V		2
Lower trip point	V _{thCTL}	—	1.3	—	V		
Amplitude	dVCT	—	2.1	—	V		
Exit trigger V _{th}	V _{thtrig}	-0.3	-0.5	-0.7	V		

Notes: 1. Design spec.

2. In case of external trigger control, CCT should be changed from 330 pF to 430 pF.

At this synchronous and 430 pF CCT condition V_{thCTH} becomes about 2.9 V.

• V_{ref}

Item	Symbol	Min	Typ	Max	Unit	Test Conditions	Note
Reference voltage	V _{ref}	4.9	5.0	5.1	V	I _{osource} = 1mA	±2%
Line regulation	V _{ref-line}	—	5	20	mV	I _{osource} = 1mA 12V < V _{CC} < 18V	
Load regulation	V _{ref-load}	—	5	20	mV	0 < I _{osource} < 3mA	
Temperature stability	dV _{ref}	—	80	—	ppm/°C	-20°C < T_a < 85°C	1

Note: 1. Design spec.

• UVL

Item	Symbol	Min	Typ	Max	Unit	Test Conditions	Note
Hi threshold voltage	V _H	9.5	10.0	10.5	V		
Lo threshold voltage	V _L	8.5	9.0	9.5	V		
Hysteresis	dV _{UVL}	0.6	1.0	1.4	V		

Electrical Characteristics (cont.)

($T_a = 25^\circ\text{C}$, $V_{CC} = 12\text{V}$, $\text{PG1} = 3\text{V}$, $V_{\text{trig}} = 0\text{V}$, $V_{\text{CS}(+)} = 0\text{V}$, $V_{\text{Cin}} = 0\text{V}$, $\text{CCT} = 330\text{pF}$, $\text{GvOP1} = 26\text{dB}$, $\text{GvOP4} = 40\text{dB}$, $\text{RDB} = 1.8\text{k}\Omega$)

• PG1

Item	Symbol	Min	Typ	Max	Unit	Test Conditions	Note
PG1 threshold Hi voltage	VthHPG1	2.4	2.5	2.6	V		
PG1 threshold Lo voltage	VthLPG1	1.9	2.0	2.1	V		
Input impedance	RinPG1	(37.5)	50.0	(62.5)	$\text{k}\Omega$		1

Note: 1. Design spec.

• FAIL

Item	Symbol	Min	Typ	Max	Unit	Test Conditions	Note
Leak current	IleakFAIL	—	—	-10	μA	VFAIL = 5V	
Output Lo voltage	VOLFAIL	—	—	0.5	V	Iosink = 10mA	

• Error amp.

Item	Symbol	Min	Typ	Max	Unit	Test Conditions	Note
Input threshold voltage	VthEIN	1.23	1.25	1.27	V	VEOUT = 1.25V	$\pm 1.6\%$
Input bias current	IibEIN	—	-0.2	-2.0	μA	VEIN = 2V	
Open loop gain	AvoEA	60	80	—	dB		
Band width	BWEA	(0.7)	1.4	—	MHz		1
EOUT sink current	IosinkEA	0.5	5.0	—	mA	VEIN = 1.5V, EOUT = 1.1V	
EOUT source current	IosourceEA	-100	-250	—	μA	VEIN = 1.0V, EOUT = 5V	
EOUT clamp voltage	VOHEA	5.8	6.8	7.8	V	VEIN = 1.0V	
EOUT Lo voltage	VOLEA	—	—	1.0	V	VEIN = 1.5V, Iosink = 200 μA	

Note: 1. Design spec.

• PWM OUT

Item	Symbol	Min	Typ	Max	Unit	Test Conditions	Note
Output Lo voltage	VOLPWM	—	0.2	0.4	V	Iosink = 100mA	
Output Hi voltage	VOHPWM	$V_{CC}-0.4$	$V_{CC}-0.2$	—	V	Iosource = 100mA	
Rise time	trPWM	20	50	100	ns	CL = 3300pF	
Fall time	tfPWM	20	50	100	ns	CL = 3300pF	
Maximum duty	Dmax	58	65	72	%	VSS = 4V, VEIN = 1.0V	
Minimum duty	Dmin	—	—	0	%	VSS = 4V, VEIN = 1.5V	

Note: 1. Design spec.

Electrical Characteristics (cont.)

($T_a = 25^\circ\text{C}$, $V_{CC} = 12\text{V}$, $\text{PG1} = 3\text{V}$, $V_{\text{trig}} = 0\text{V}$, $V_{\text{CS}(+)} = 0\text{V}$, $V_{\text{Cin}} = 0\text{V}$, $\text{CCT} = 330\text{pF}$, $\text{GvOP1} = 26\text{dB}$, $\text{GvOP4} = 40\text{dB}$, $\text{RDB} = 1.8\text{k}\Omega$)

• MR OUT

Item	Symbol	Min	Typ	Max	Unit	Test Conditions	Note
Output Lo voltage	VOLMR	—	0.2	0.4	V	losink = 100mA	
Output Hi voltage	VOHMR	$V_{CC}-0.4$	$V_{CC}-0.2$	—	V	losource = 100mA	
Rise time	trMR	20	50	100	ns	CL = 3300pF	
Fall time	tfMR	20	50	100	ns	CL = 3300pF	

• MF OUT

Item	Symbol	Min	Typ	Max	Unit	Test Conditions	Note
Output Lo voltage	VOLMF	—	0.2	0.4	V	losink = 200mA	
Output Hi voltage	VOHMF	$V_{CC}-0.4$	$V_{CC}-0.2$	—	V	losource = 200mA	
Rise time	trMF	20	50	100	ns	CL = 6000pF	
Fall time	tfMF	20	50	100	ns	CL = 6000pF	

• Dead band time

Item	Symbol	Min	Typ	Max	Unit	Test Conditions	Note
Dead band time1	Td1typ	0	50	100	ns	RDB = 1.8k Ω	
Dead band time2	Td2typ	0	100	200	ns	RDB = 1.8k Ω	
MR to MF delay time	t1	(-20)	—	(50)	ns	t1 = MF off – MR on	1
PWM to MR delay time	t2	(-20)	—	(50)	ns	t2 = MR off – PWM off	1
MR delay time	t3	—	1	—	μs	t3 = CT low trip point – MR on	1
Maximum Dead band adjust time1	Tdadj1	—	Td1typ +300	—	ns	RDB = 47k Ω	1
Maximum Dead band adjust time2	Tdadj2	—	Td2typ +600	—	ns	RDB = 47k Ω	1

Note: 1. Design spec.
Measurement is 50% slice point.

Electrical Characteristics (cont.)

($T_a = 25^\circ\text{C}$, $V_{CC} = 12\text{V}$, $\text{PG1} = 3\text{V}$, $V_{\text{trig}} = 0\text{V}$, $V_{\text{CS}(+)} = 0\text{V}$, $V_{\text{Cin}} = 0\text{V}$, $\text{CCT} = 330\text{pF}$, $\text{GvOP1} = 26\text{dB}$, $\text{GvOP4} = 40\text{dB}$, $\text{RDB} = 1.8\text{k}\Omega$)

- SS

Item	Symbol	Min	Typ	Max	Unit	Test Conditions	Note
SS sink current	I_{dss}	500	—	—	μA	$\text{PG1} = 2\text{V}$, $\text{VSS} = 2\text{V}$	

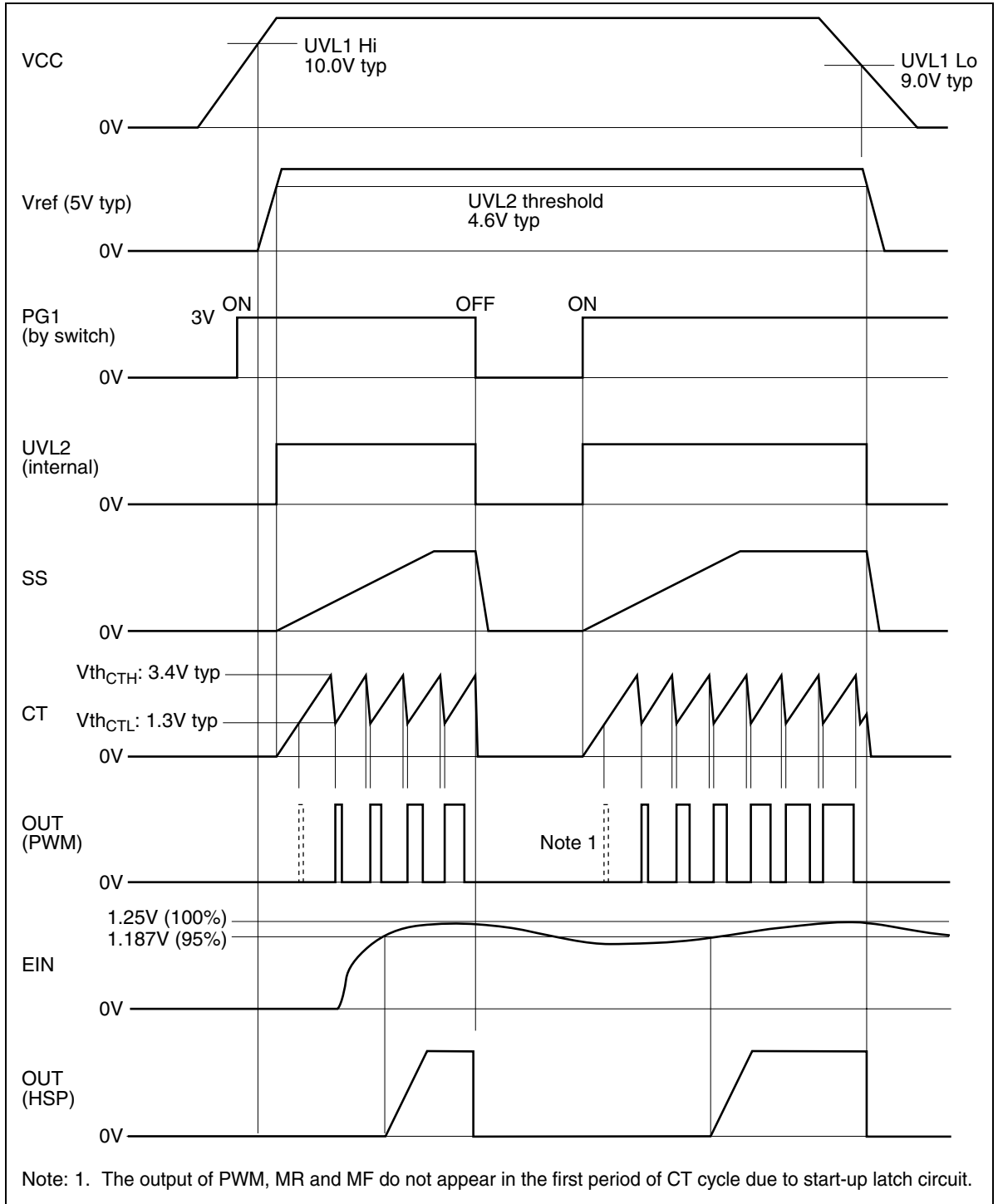
- OVP

Item	Symbol	Min	Typ	Max	Unit	Test Conditions	Note
OVP latch voltage	V_{OVP}	6.5	7.5	8.5	V		

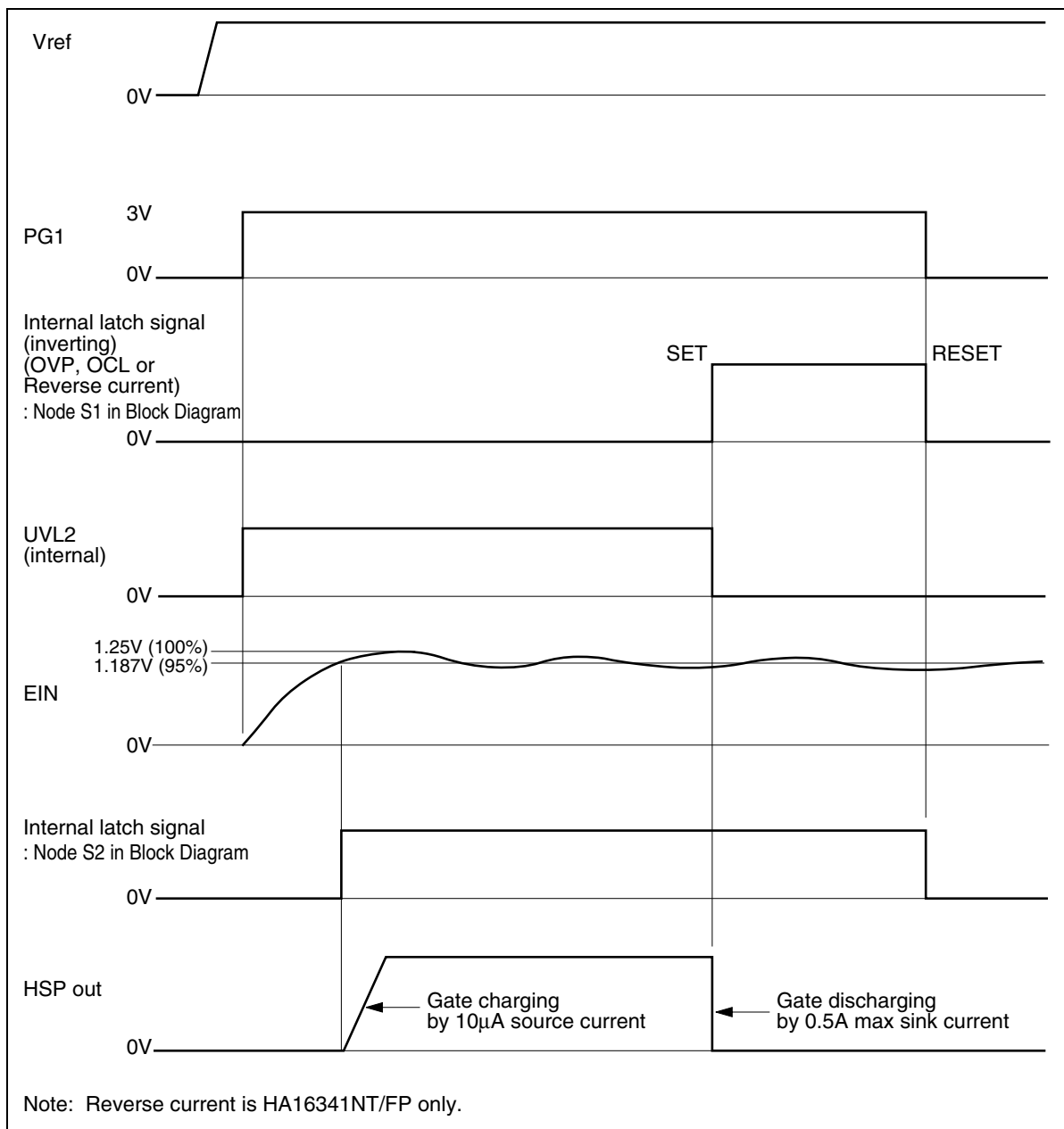
- Current consumption

Item	Symbol	Min	Typ	Max	Unit	Test Conditions	Note
Operating current	I_{CC}	5.4	7.4	9.4	mA	$V_{\text{CT}} = 1\text{V}$	
Standby current	I_{STBY}	—	200	600	μA	$V_{\text{CC}} = 8\text{V}$, $\text{PG1} = 0\text{V}$	

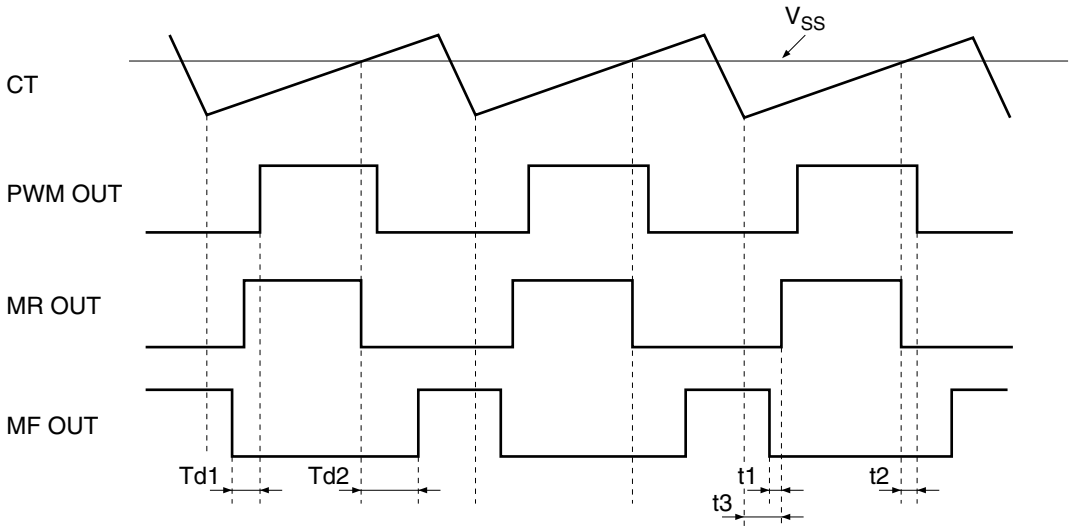
Timing Chart 1 (Total)



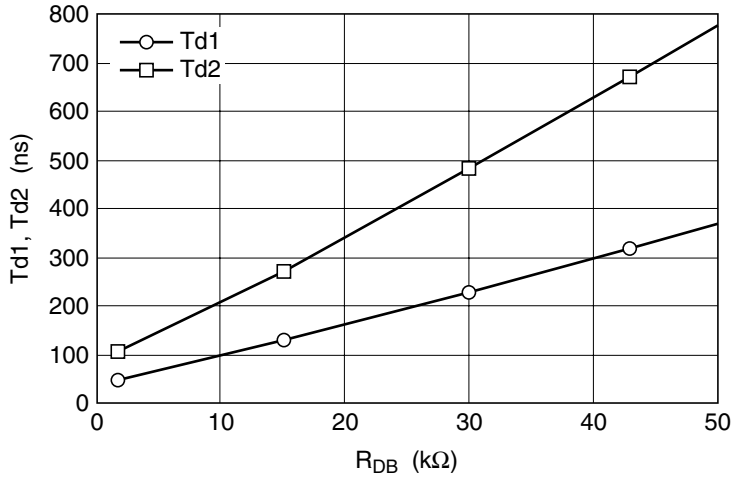
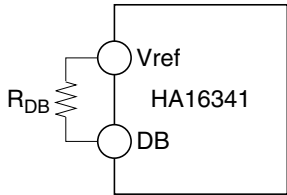
Timing Chart 2 (Hot Swap)



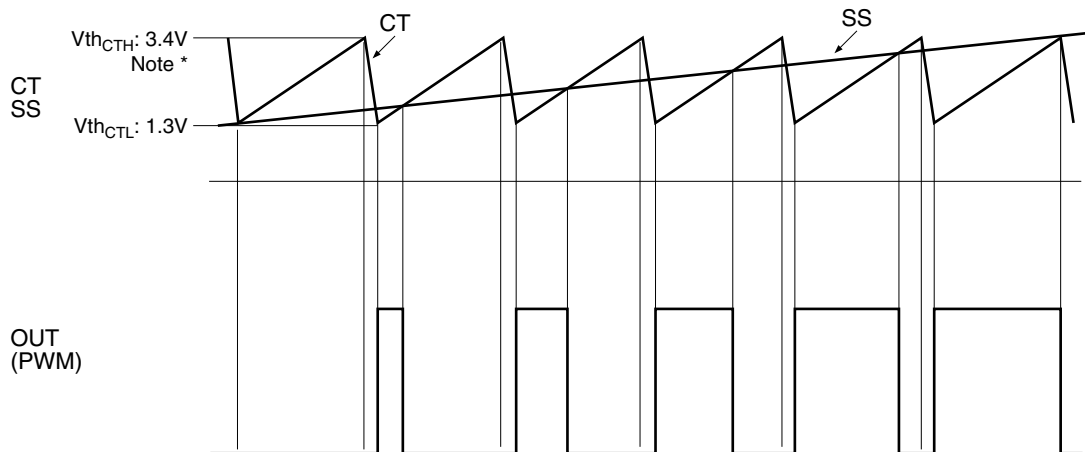
Timing Chart 3 (Dead Band Control)



Note: V_{SS} determines maximum duty. This waveform example shows the case of $EIN = Lo$.
 V_{SS} : Voltage of SS pin



Timing Chart 4 (Soft Start)



Note: Self-oscillation: $V_{th_{CTH}} = 3.4V$ typ
 Synchronized operation: $V_{th_{CTH}} = 2.9V$ typ

Case $V_{HSS} \geq V_{th_{CTH}}$
 Maximum duty would be the value specified in page 9.

Case $V_{HSS} < V_{th_{CTH}}$
 Maximum duty decrease to the corresponding value.

Please refer to formula 1 as design value of maximum duty.

Max duty = $(t_{ss} - 0.63\mu s - Td1) \times$ Operating frequency Formula 1

$$t_{ss} = \frac{C_{CT}}{I_{ci}} (V_{HSS} - V_{th_{CTL}})$$

- I_{ci} : CT charge current
- C_{CT} : CT terminal capacitor
- $V_{th_{CTH}}$: CT upper trip point
- $V_{th_{CTL}}$: CT lower trip point

Select values R1, R2 and C1 for suitable maximum duty and SS time constant.

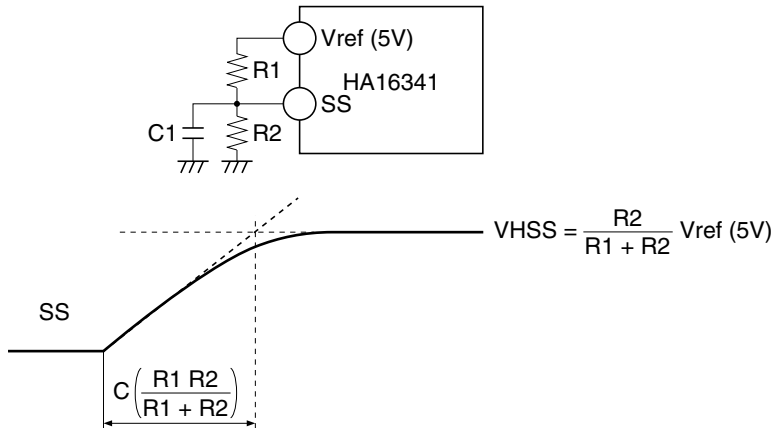
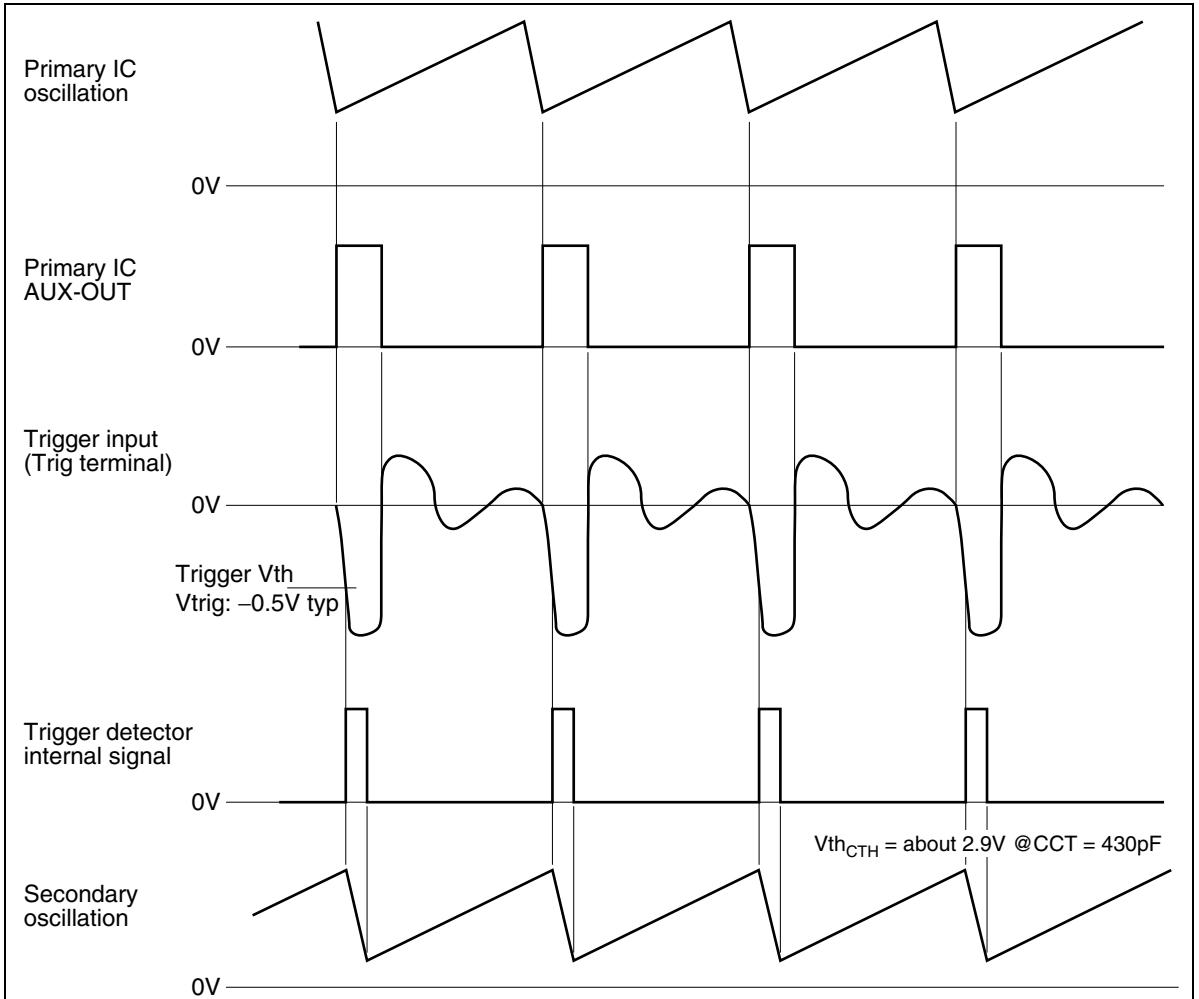


Figure A. SS Terminal Application

Timing Chart 5 (External Trigger Control)



This IC is triggered by negative pulse.
 R1 and R2 must be calculated including internal impedance of 230k Ω .

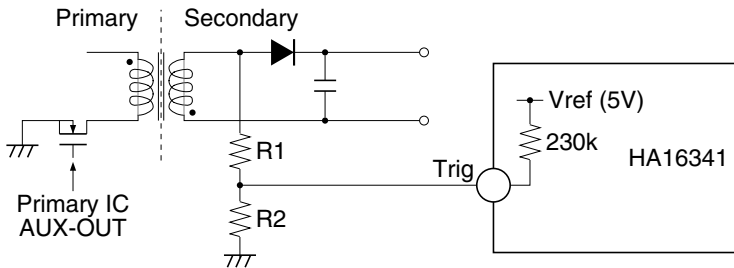
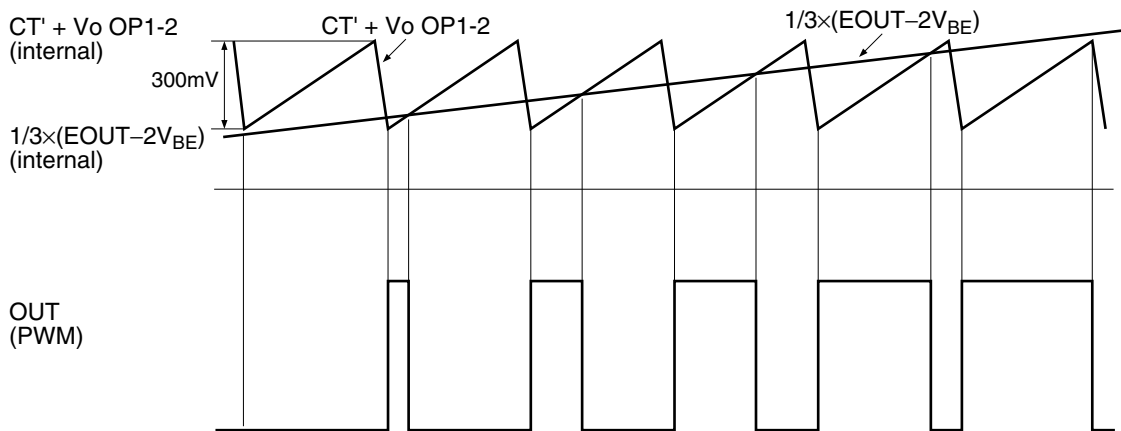


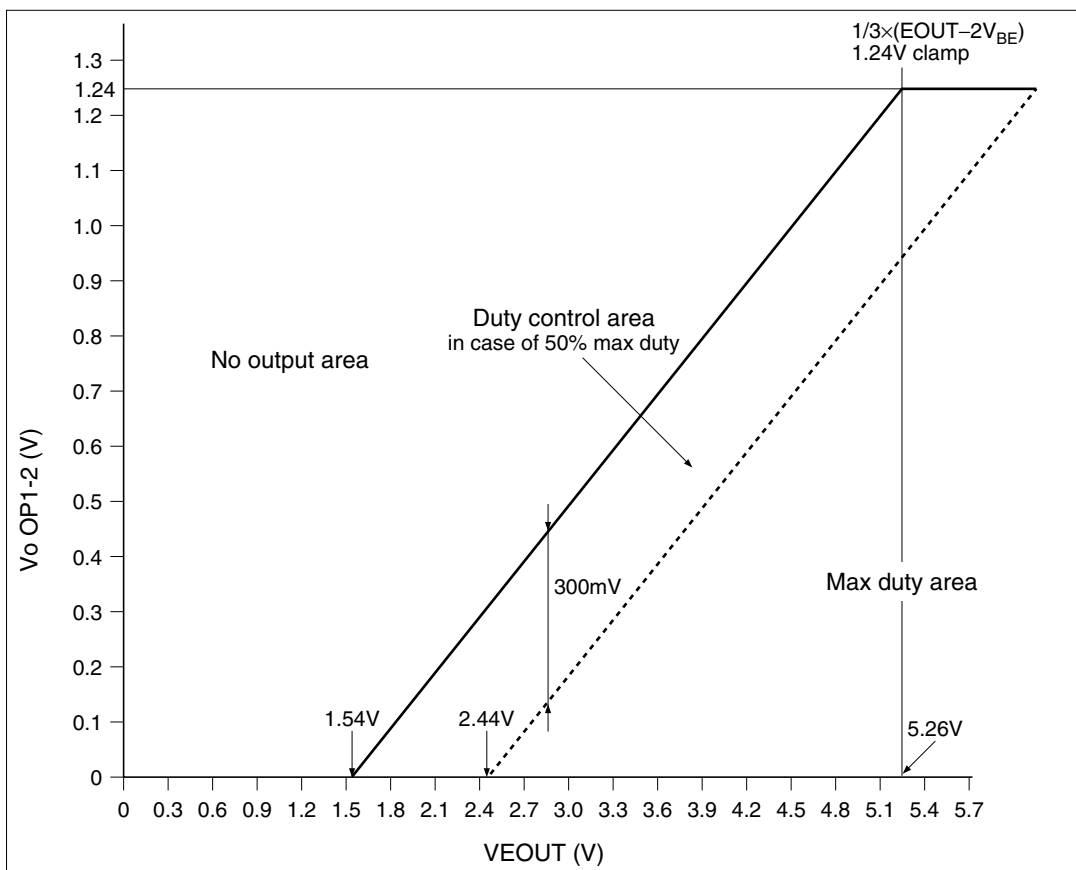
Figure B. External Trigger Application

Timing Chart 6 (Duty Control)

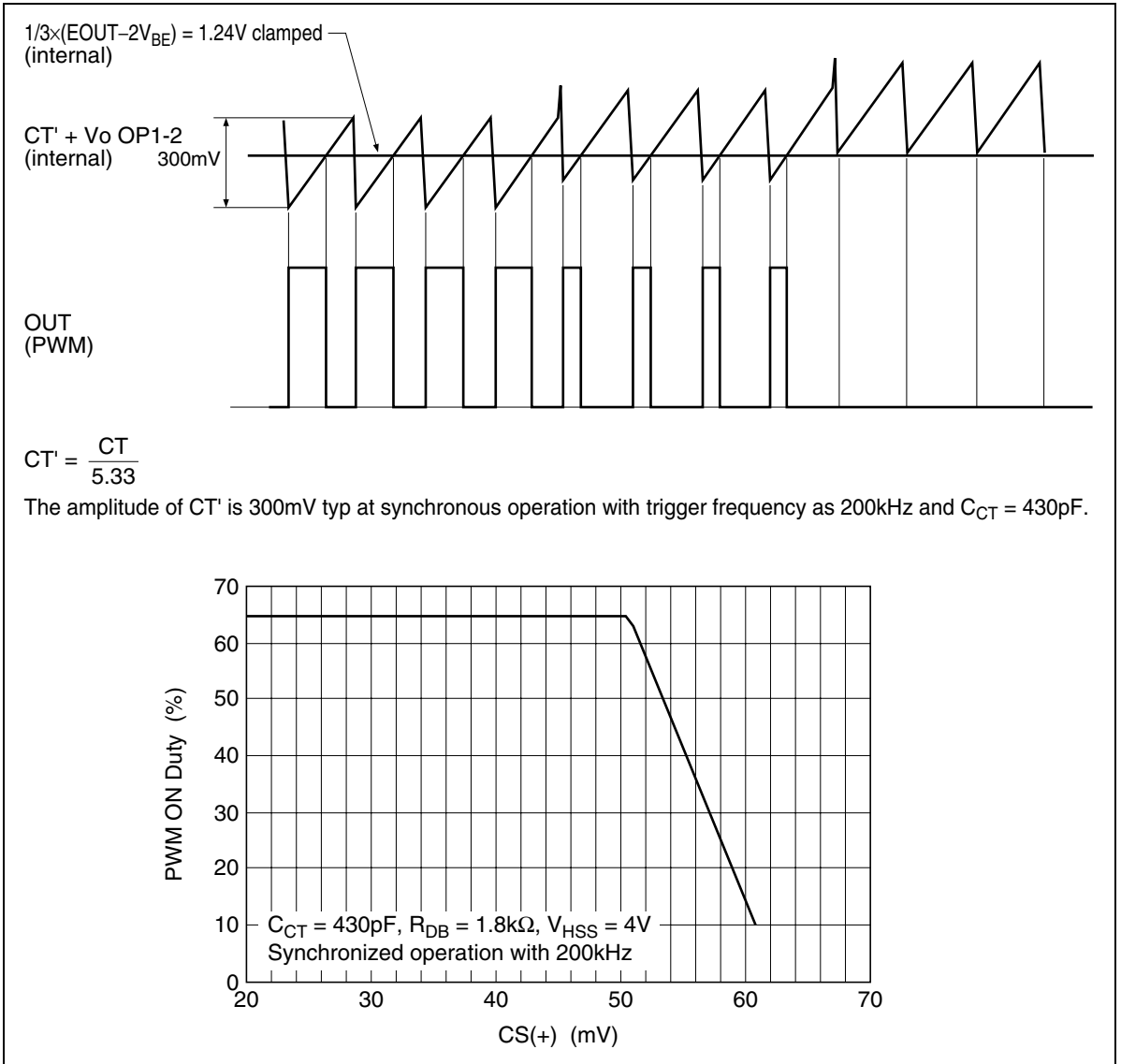


$$CT' = \frac{CT}{5.33}$$

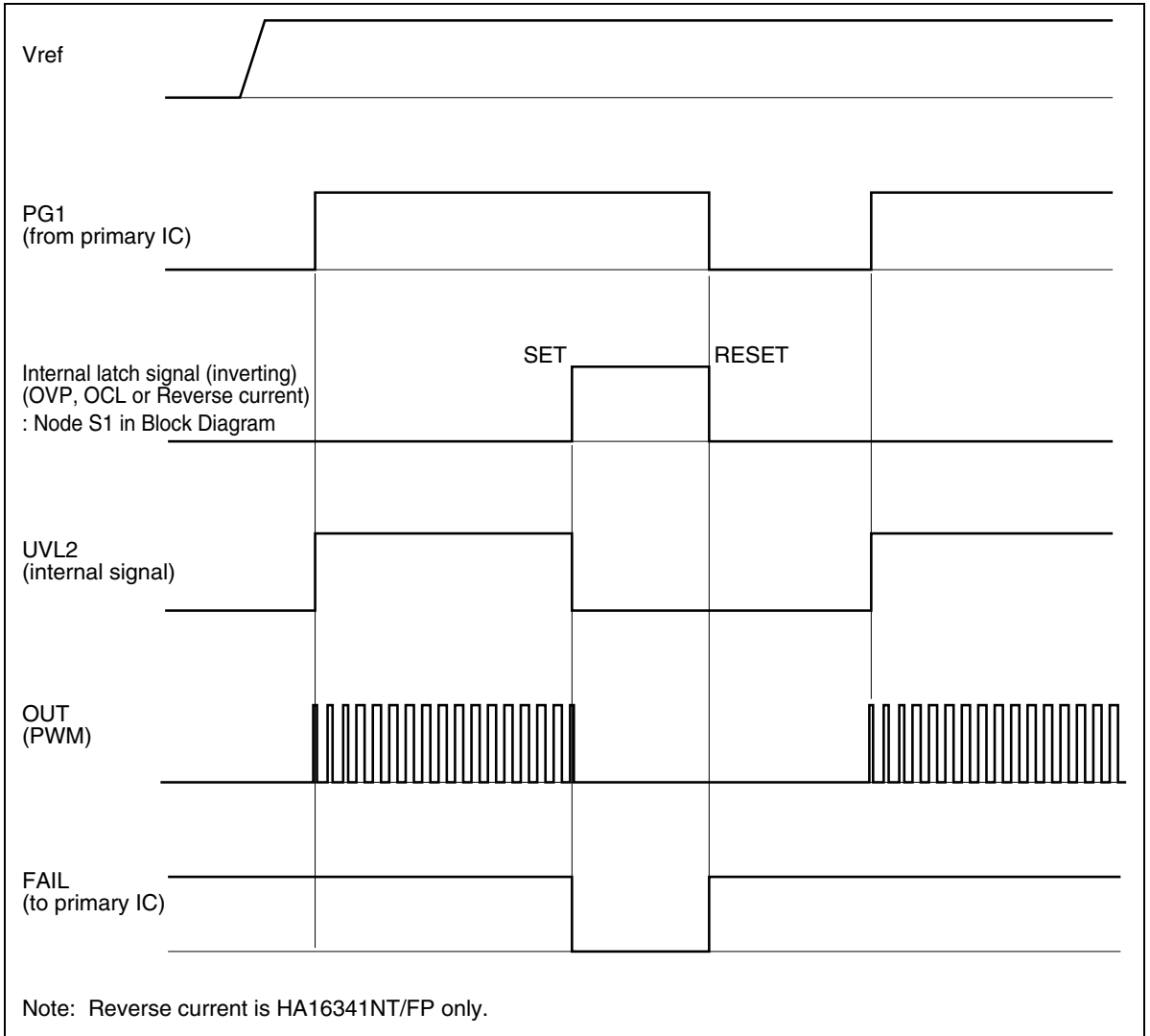
The amplitude of CT' is 300mV typ at synchronous operation with trigger frequency as 200kHz and $C_{CT} = 430\text{pF}$.



Timing Chart 7 (Current Limiting)

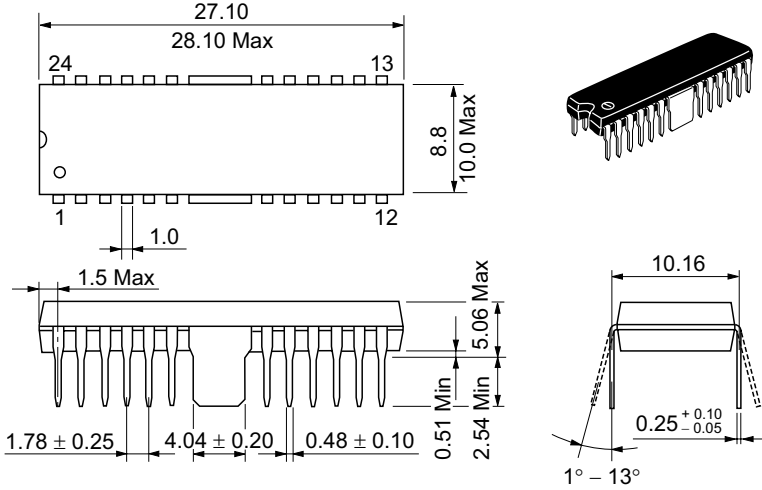


Timing Chart 8 (Interface with Primary Control IC)



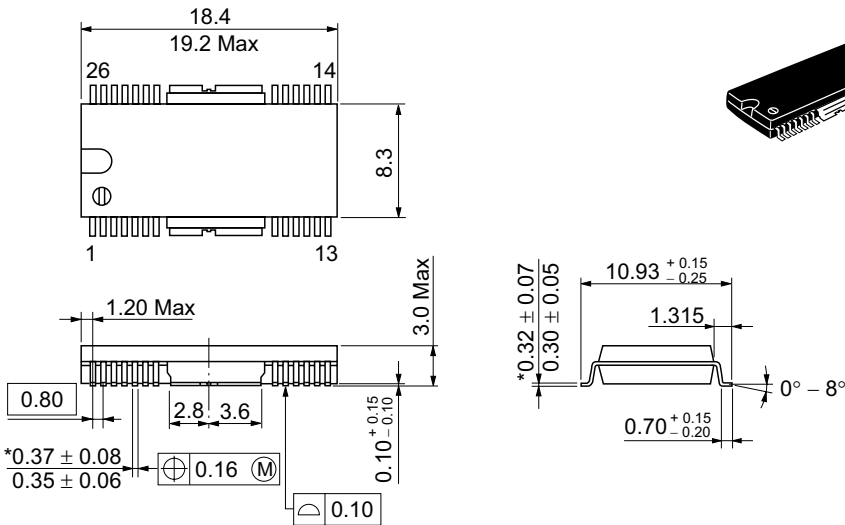
Package Dimensions

As of January, 2001
Unit: mm



Hitachi Code	DP-24TS
JEDEC	—
EIAJ	—
Mass (reference value)	2.04 g

As of January, 2001
Unit: mm



*Dimension including the plating thickness
Base material dimension

Hitachi Code	FP-26DT
JEDEC	—
EIAJ	—
Mass (reference value)	0.98 g

Disclaimer

1. Hitachi neither warrants nor grants licenses of any rights of Hitachi's or any third party's patent, copyright, trademark, or other intellectual property rights for information contained in this document. Hitachi bears no responsibility for problems that may arise with third party's rights, including intellectual property rights, in connection with use of the information contained in this document.
2. Products and product specifications may be subject to change without notice. Confirm that you have received the latest product standards or specifications before final design, purchase or use.
3. Hitachi makes every attempt to ensure that its products are of high quality and reliability. However, contact Hitachi's sales office before using the product in an application that demands especially high quality and reliability or where its failure or malfunction may directly threaten human life or cause risk of bodily injury, such as aerospace, aeronautics, nuclear power, combustion control, transportation, traffic, safety equipment or medical equipment for life support.
4. Design your application so that the product is used within the ranges guaranteed by Hitachi particularly for maximum rating, operating supply voltage range, heat radiation characteristics, installation conditions and other characteristics. Hitachi bears no responsibility for failure or damage when used beyond the guaranteed ranges. Even within the guaranteed ranges, consider normally foreseeable failure rates or failure modes in semiconductor devices and employ systemic measures such as fail-safes, so that the equipment incorporating Hitachi product does not cause bodily injury, fire or other consequential damage due to operation of the Hitachi product.
5. This product is not designed to be radiation resistant.
6. No one is permitted to reproduce or duplicate, in any form, the whole or part of this document without written approval from Hitachi.
7. Contact Hitachi's sales office for any questions regarding this document or Hitachi semiconductor products.

Sales Offices <heading sales offices, hso>

HITACHI

Hitachi, Ltd.

Semiconductor & Integrated Circuits
Nippon Bldg., 2-6-2, Ohte-machi, Chiyoda-ku, Tokyo 100-0004, Japan
Tel: (03) 3270-2111 Fax: (03) 3270-5109

URL	North America	: http://semiconductor.hitachi.com/
	Europe	: http://www.hitachi-eu.com/hel/ecg
	Asia	: http://sicapac.hitachi-asia.com
	Japan	: http://www.hitachi.co.jp/Sicd/indx.htm

For further information write to:

Hitachi Semiconductor (America) Inc. 179 East Tasman Drive San Jose, CA 95134 Tel: <1>(408) 433-1990 Fax: <1>(408) 433-0223	Hitachi Europe Ltd. Electronic Components Group Whitebrook Park Lower Cookham Road Maidenhead Berkshire SL6 8YA, United Kingdom Tel: <44> (1628) 585000 Fax: <44> (1628) 585200	Hitachi Europe GmbH Electronic Components Group Dornacher Straße 3 D-85622 Feldkirchen, Munich Germany Tel: <49> (89) 9 9180-0 Fax: <49> (89) 9 29 30 00
---	--	--

Hitachi Asia Ltd.
Hitachi Tower
16 Collyer Quay #20-00
Singapore 049318
Tel : <65>-538-6533/538-8577
Fax : <65>-538-6933/538-3877
URL : <http://www.hitachi.com.sg>

Hitachi Asia Ltd.
(Taipei Branch Office)
4/F, No. 167, Tun Hwa North Road
Hung-Kuo Building
Taipei (105), Taiwan
Tel : <886>-(2)-2718-3666
Fax : <886>-(2)-2718-8180
Telex : 23222 HAS-TP
URL : <http://www.hitachi.com.tw>

Hitachi Asia (Hong Kong) Ltd.
Group III (Electronic Components)
7/F., North Tower
World Finance Centre,
Harbour City, Canton Road
Tsim Sha Tsui, Kowloon
Hong Kong
Tel : <852>-(2)-735-9218
Fax : <852>-(2)-730-0281
URL : <http://semiconductor.hitachi.com.hk>

Copyright © Hitachi, Ltd., 2001. All rights reserved. Printed in Japan.
Colophon 4.0