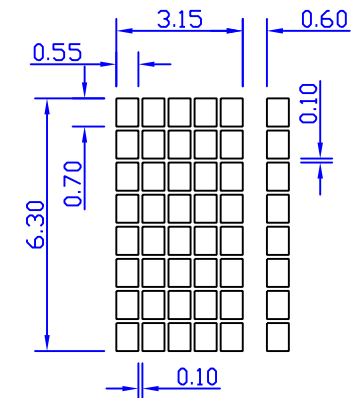
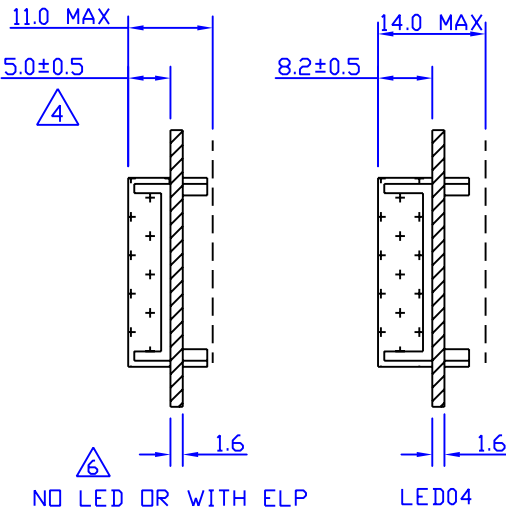
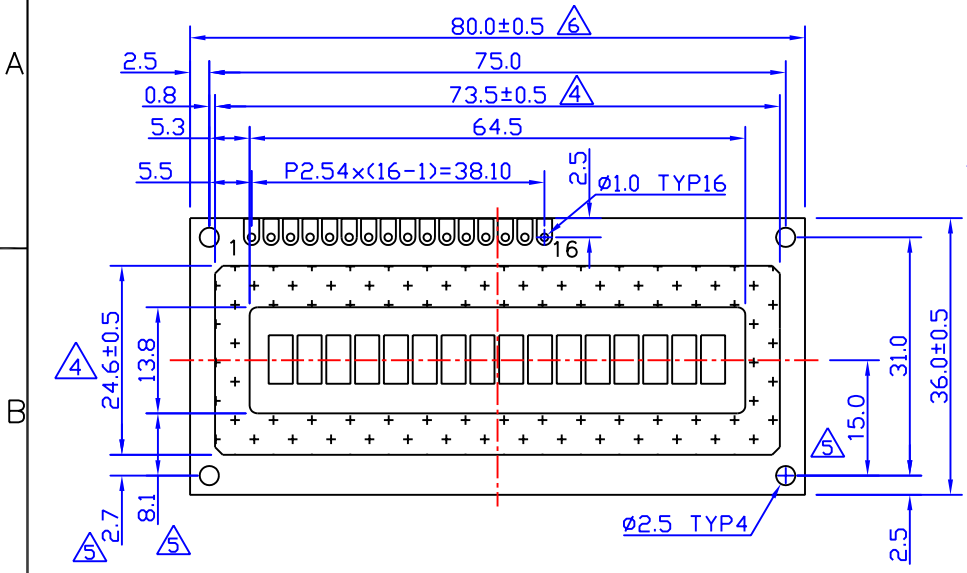
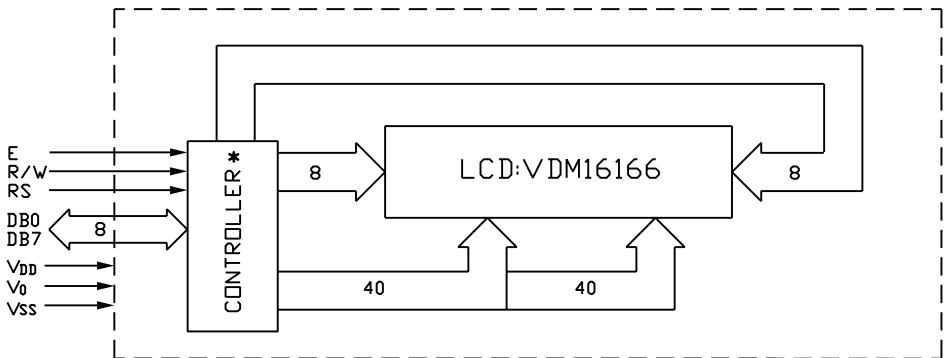


The drawing on this print and information therewith are proprietary to Varitronix and shall not be used in whole or in part without written permission of Varitronix.

ISSUE	AMENDMENT	DATE
①	CHANGE IC	01.04.20
②	ADD LED01	01.09.12
③	CHANGE POLARITY OF PIN15&16 ADD THE NOTES	03.04.10
④	MODIFY DIMENSION AND TOLERANCE CHANGE POLARITY OF PINS	03.04.21
⑤	MODIFY DIMENSION	03.09.10
⑥	REDRAW AND ADD PAGE 2,3,4	04.11.29
⑦	ADD LED05 MODULE	05.05.11



DOT SIZE FOR REFERENCE



① * HD44780 OR EQUIVALENT
* ELECTRICALLY CONFIGURED AS 8 CHARACTERS X 2 LINES

PIN ASSIGNMENT:

1	2	3	4	5	6	7	8	9	10	11	12	13	14	15	16
VSS	VDD	V0	RS	R/W	E	DB0	DB1	DB2	DB3	DB4	DB5	DB6	DB7	LED+	LED-

- NOTES:**
- ◇ : SPECIAL CHARACTERISTIC
 - + : SAFETY CHARACTERISTIC
 - ▽ : CRITICAL DIMENSION
 - (...): REFERENCE DIMENSION



VARITRONIX LIMITED

TITLE: SPECIFICATION OF MODULE

PROJECT NO: MDLS16166D

TOLERANCE UNLESS OTHERWISE SPECIFIED:	X.X ±0.3 X.XX ±0.1
DIMENSIONS IN MM	ANGULAR: ± 1°
MATERIAL: N/A	FINISH: N/A
SCALE: DO NOT ON SCALE	OVERALL THK: N/A

THIRD ANGLE PROJECTION

	NAME	SIGN	DATE
DRAWN:	JW HE		05.05.11
CHECKED:	ZB TANG		
APPROVED:	CHARM		

ITEM NO.: MDLS16166D-XX

DESCRIPTION: MDLS16166D

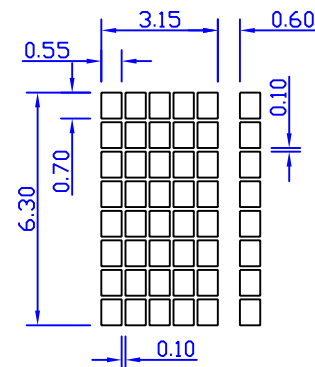
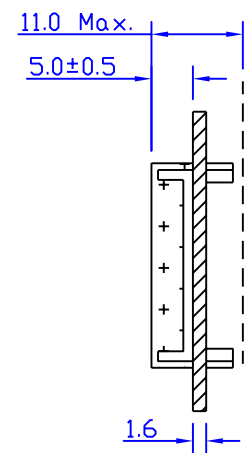
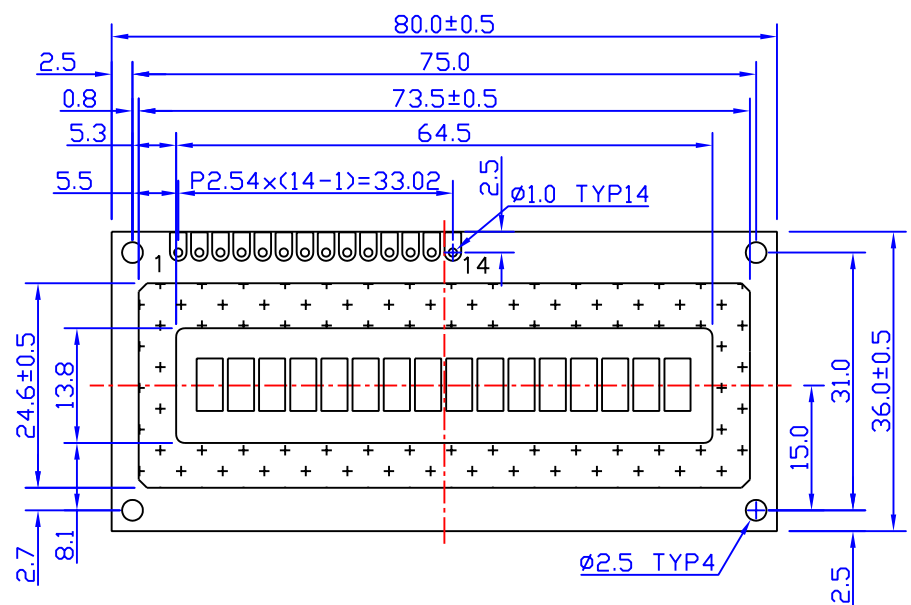
FILE NO: MDLS16166D-XX R7.DWG REV: 7

SHEET 1 OF 4

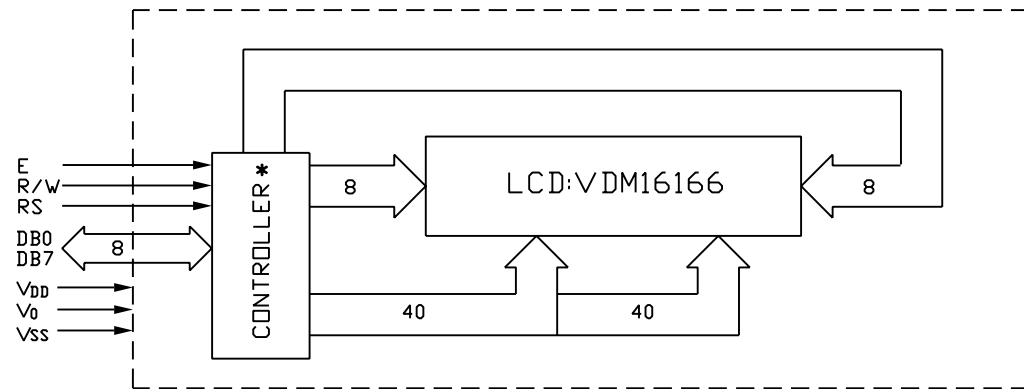
The drawing on this print and information therewith are proprietary to Varitronix and shall not be used in whole or in part without written permission of Varitronix.

ISSUE	AMENDMENT	DATE
1	CHANGE IC	01.04.20
2	ADD LED01	01.09.12
3	CHANGE POLARITY OF PIN15&16 ADD THE NOTES	03.04.10
4	MODIFY DIMENSION AND TOLERANCE CHANGE POLARITY OF PINS	03.04.21
5	MODIFY DIMENSION	03.09.10
6	REDRAW AND ADD PAGE 2,3,4	04.11.29
7	ADD LED05 MODULE	05.05.11

A
B
C
D



DOT SIZE FOR REFERENCE



* HD44780 OR EQUIVALENT
* ELECTRICALLY CONFIGURED AS 8 CHARACTERS X 2 LINES

TITLE: SPECIFICATION OF MODULE
PROJECT NO: MDLS16166D

TOLERANCE UNLESS OTHERWISE SPECIFIED:	X.X ±0.3 X.XX ±0.1
DIMENSIONS IN MM	ANGULAR: ± 1°
MATERIAL: N/A	FINISH: N/A
SCALE: DO NOT ON SCALE	OVERALL THK: N/A

THIRD ANGLE PROJECTION			
	NAME	SIGN	DATE
DRAWN:	JW HE		05.05.11
CHECKED:	ZB TANG		
APPROVED:	CHARM		

PIN ASSIGNMENT:

1	2	3	4	5	6	7	8	9	10	11	12	13	14
VSS	VDD	V0	RS	R/W	E	DB0	DB1	DB2	DB3	DB4	DB5	DB6	DB7

- NOTES:
 1. ◇ : SPECIAL CHARACTERISTIC
 2. + : SAFETY CHARACTERISTIC
 3. ▽ : CRITICAL DIMENSION
 4. (..) : REFERENCE DIMENSION



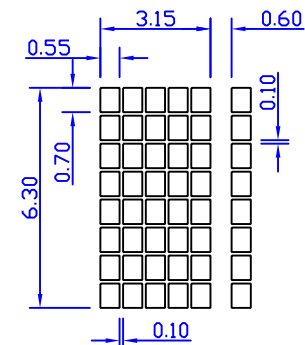
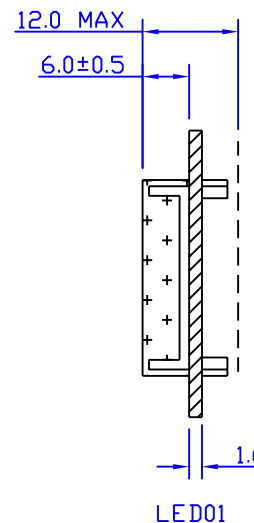
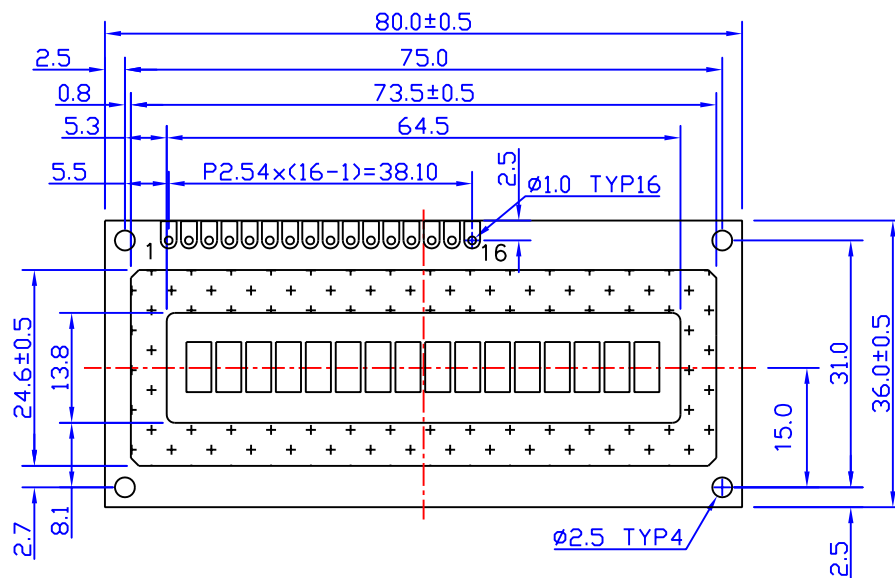
VARITRONIX LIMITED

ITEM NO.: MDLS16166D-XX
DESCRIPTION: MDLS16166D
FILE NO: MDLS16166D-XX R7.DWG REV: 7
SHEET 2 OF 4

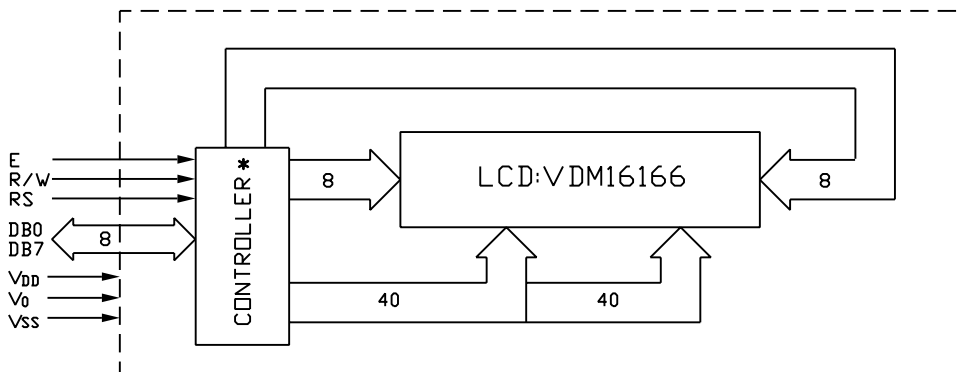
1 2 3 4 5 6

The drawing on this print and information therewith are proprietary to Varitronix and shall not be used in whole or in part without written permission of Varitronix.

ISSUE	AMENDMENT	DATE
1	CHANGE IC	01.04.20
2	ADD LED01	01.09.12
3	CHANGE POLARITY OF PIN15&16 ADD THE NOTES	03.04.10
4	MODIFY DIMENSION AND TOLERANCE CHANGE POLARITY OF PINS	03.04.21
5	MODIFY DIMENSION	03.09.10
6	REDRAW AND ADD PAGE 2,3,4	04.11.29
7	ADD LED05 MODULE	05.05.11



DOT SIZE FOR REFERENCE



* HD44780 OR EQUIVALENT
* ELECTRICALLY CONFIGURED AS
8 CHARACTERS X 2 LINES

TITLE: SPECIFICATION OF MODULE			
PROJECT NO: MDLS16166D			
TOLERANCE UNLESS OTHERWISE SPECIFIED:	X.X ±0.3	X.XX ±0.1	
DIMENSIONS IN MM	ANGULAR: ± 1°		
MATERIAL: N/A	FINISH: N/A		
SCALE: DO NOT ON SCALE	OVERALL THK: N/A		
THIRD ANGLE PROJECTION			
	NAME	SIGN	DATE
DRAWN:	JW HE		05.05.11
CHECKED:	ZB TANG		
APPROVED:	CHARM		
ITEM NO.: MDLS16166D-XX			
DESCRIPTION: MDLS16166D			
FILE NO: MDLS16166D-XX R7.DWG REV: 7			
SHEET	3	OF	4

PIN ASSIGNMENT:

1	2	3	4	5	6	7	8	9	10	11	12	13	14	15	16
VSS	VDD	V0	RS	R/W	E	DB0	DB1	DB2	DB3	DB4	DB5	DB6	DB7	LED-	LED+

- NOTES:**
- ◇ : SPECIAL CHARACTERISTIC
 - + : SAFETY CHARACTERISTIC
 - ▽ : CRITICAL DIMENSION
 - (...): REFERENCE DIMENSION

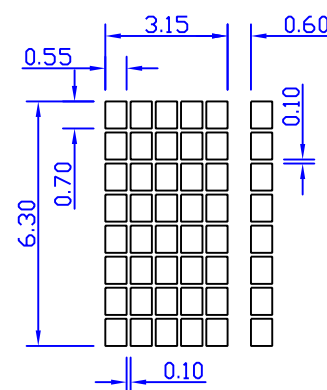
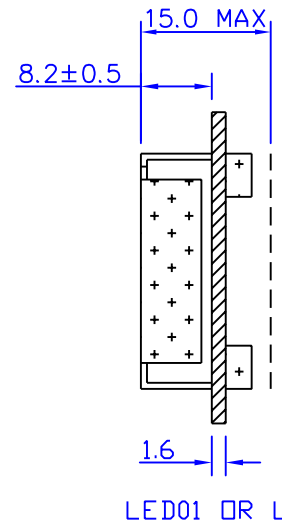
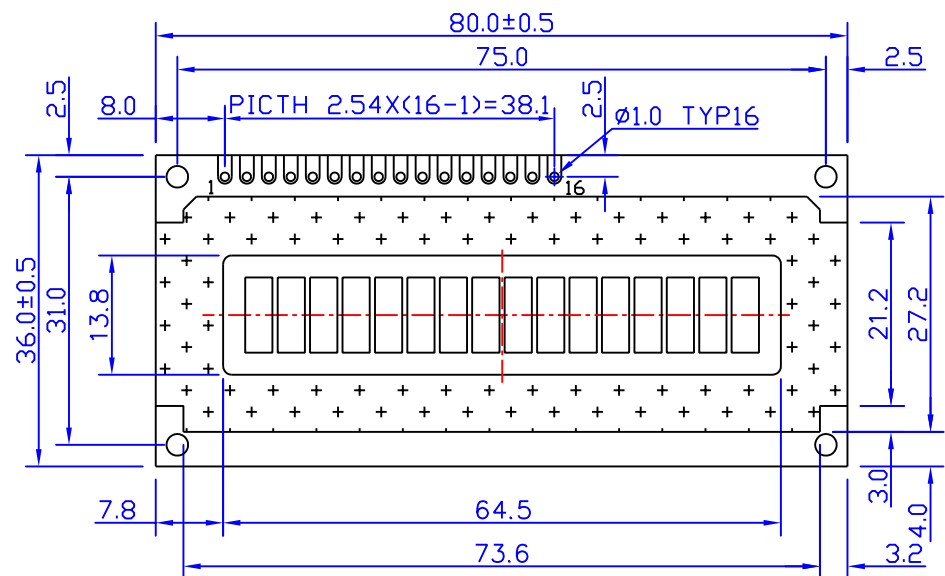


VARITRONIX LIMITED

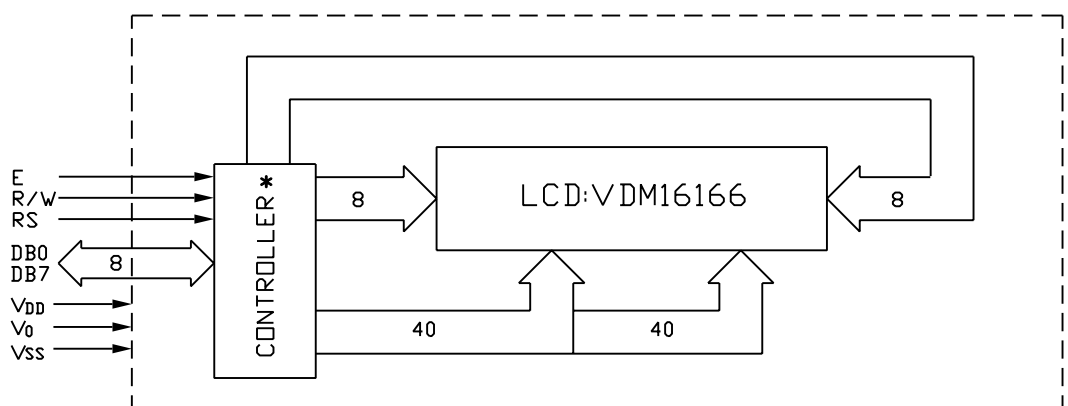
The drawing on this print and information therewith are proprietary to Varitronix and shall not be used in whole or in part without written permission of Varitronix.

ISSUE	AMENDMENT	DATE
△1	CHANGE IC	01.04.20
△2	ADD LED01	01.09.12
△3	CHANGE POLARITY OF PIN15&16 ADD THE NOTES	03.04.10
△4	MODIFY DIMENSION AND TOLERANCE CHANGE POLARITY OF PINS	03.04.21
△5	MODIFY DIMENSION	03.09.10
△6 ²	REDRAW AND ADD PAGE 2,3,4	04.11.29
△7 ¹	ADD LED05 MODULE	05.05.11

A
B
C
D



DOT SIZE FOR REFERENCE



* HD44780 OR EQUIVALENT
* ELECTRICALLY CONFIGURED AS 8 CHARACTERS X 2 LINES

TITLE: SPECIFICATION OF MODULE
PROJECT NO: MDLS16166D

TOLERANCE UNLESS OTHERWISE SPECIFIED:	X.X ±0.3 X.XX ±0.1
DIMENSIONS IN MM	ANGULAR: ± 1°
MATERIAL: N/A	FINISH: N/A
SCALE: DO NOT ON SCALE	OVERALL THK: N/A

THIRD ANGLE PROJECTION			
	NAME	SIGN	DATE
DRAWN:	JW HE		05.05.11
CHECKED:	ZB TANG		
APPROVED:	CHARM		

PIN ASSIGNMENT:

1	2	3	4	5	6	7	8	9	10	11	12	13	14	15	16
VSS	VDD	V0	RS	R/W	E	DB0	DB1	DB2	DB3	DB4	DB5	DB6	DB7	LED+	LED-

- NOTES:
- ◇ : SPECIAL CHARACTERISTIC
 - + : SAFETY CHARACTERISTIC
 - ▽ : CRITICAL DIMENSION
 - (...): REFERENCE DIMENSION

VARITRONIX LIMITED

ITEM NO.: MDLS16166D-XX
DESCRIPTION: MDLS16166D-XX
FILE NO: MDLS16166D-XX R7.DWG | REV: 7
SHEET 4 OF 4

1 2 3 4 5 6