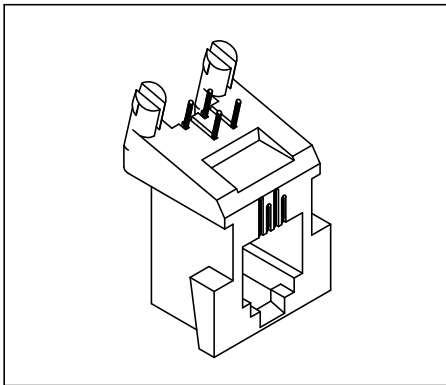


Oblique Angle Entry Modular Telephone Jack

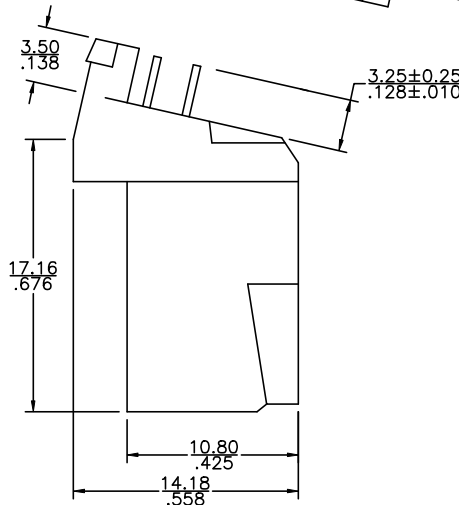
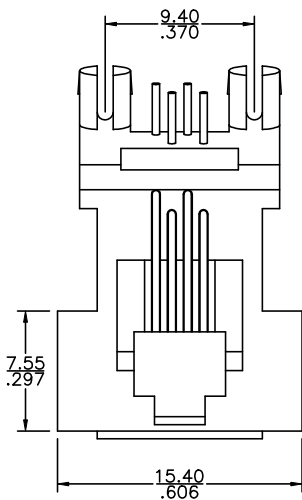
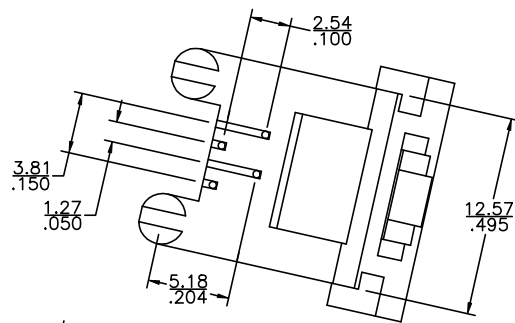
(664-A Type)

3026 Series

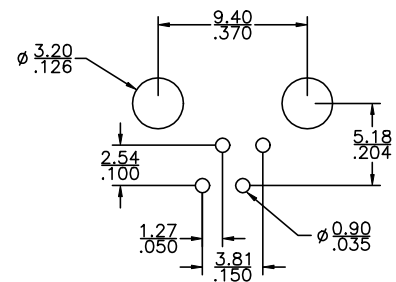


Material and Finish:

- * Housing: Standard Material: Glass Filled Polyester UL94V-0.
Standard Color : Gray.
- * Contact: 0.45mm(0.018") Diameter Phosphor Bronze.
Gold Plating over Nickel.
- * Cavity conforms to FCC rules and regulations part 68,
subpart F.



P.C.B. Hole Layout



Ordering Information

Series No.	No. of Position	No. of Contact	Contact Plating
3026	4	4	1
	4	4	6 μ" 1
			15 μ" 2
			30 μ" 3
			50 μ" 4

SINGATRON U.S.A. Tel: (909)464-1883 Fax: (909)464-1884 Email: sales@singatron.com