

# 800-900 MHz +36 dBm Power GaAs FET

## Features

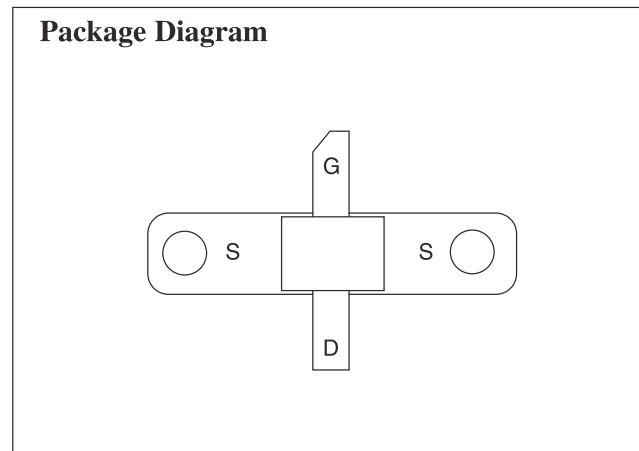
- ❑ High Gain
- ❑ +36 dBm Power Output
- ❑ Proprietary Power FET Process
- ❑ >45% Linear Power Added Efficiency
- ❑ +33 dBm with 30 dBc Third Order Products

## Applications

- ❑ ISM Band Base Stations
- ❑ Cellular Base Stations
- ❑ Wireless Local Loop

## Description

The CFH2162-P1 is a high-gain, linear FET intended for driver amplifier applications in high-power systems, and output stage usage in medium power applications at power levels up to +36 dBm. The device is easily matched and pro-



vides excellent linearity at 4 Watts. Manufactured in Celeritek's proprietary power FET process, this device is assembled in a power flange package.

**Specifications** (TA = 25°C) The following specifications are guaranteed at room temperature in Celeritek test fixture at 850 MHz.

Parameters	Conditions	Min	Typ	Max	Units
<b>V<sub>d</sub> = 10V, I<sub>d</sub> = 1100 mA (Quiescent)</b>					
P <sub>-1dB</sub>		36.0	37.0	—	dBm
G <sub>-1 dB</sub>		19.0	20.0	—	dB
3rd Order Products (1)		30	35	—	dBc
Efficiency	@ P1dB	—	45	—	%
<b>V<sub>d</sub> = 8V, I<sub>d</sub> = 1300 mA (Quiescent)</b>					
P <sub>-1dB</sub>		—	36.0	—	dBm
G <sub>-1 dB</sub>		—	19.0	—	dB

Parameters	Conditions	Min	Typ	Max	Units
g <sub>m</sub>	V <sub>ds</sub> = 2.0V, V <sub>gs</sub> = 0V	—	1700	—	mS
I <sub>dss</sub>	V <sub>ds</sub> = 2.0V, V <sub>gs</sub> = 0V	—	2.8	—	A
V <sub>p</sub>	V <sub>ds</sub> = 3.0V, I <sub>ds</sub> = 65 mA	—	-1.8	—	Volts
BV <sub>GD</sub>	I <sub>gd</sub> = 6.5 mA	20	24	—	Volts
Θ <sub>JL</sub> (2)	@ 150°C TCH	—	8	—	°C/W

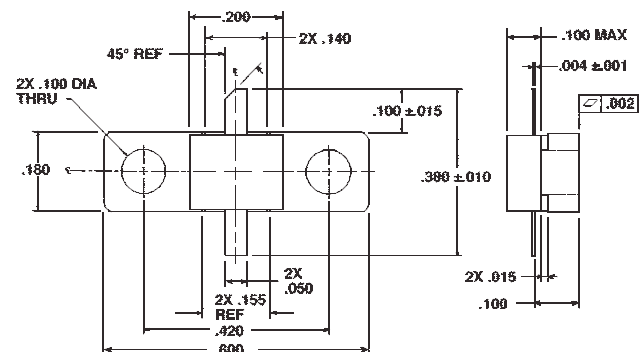
## Absolute Maximum Ratings

Parameter	Symbol	Rating
Drain-Source Voltage	V <sub>DS</sub>	15V (3)
Gate-Source Voltage	V <sub>GS</sub>	-5V
Drain Current	I <sub>DS</sub>	I <sub>dss</sub>
Continuous Dissipation	P <sub>T</sub>	10W
Channel Temperature	T <sub>CH</sub>	175°C
Storage Temperature	T <sub>STG</sub>	-65°C to +175°C

### Notes:

1. Sum to two tones with 1 MHz spacing = 33 dBm.
2. See thermal considerations information.
3. Maximum potential difference across the device (V<sub>d</sub> + V<sub>g</sub>) cannot exceed 18V.

## Power Flange Package Physical Dimensions



# 800-900 MHz +36 dBm Power GaAs FET



August 2006 - Rev 03-Aug-06

**CFH2162-P1**

## Ordering Information

The CFH2162-P1 power stage is available in a SOIC-8 surface mount package. Devices are available in tape and reel. Ordering part numbers are listed.

<u>Part Number for Ordering</u>	<u>Function</u>	<u>Package</u>
<b>CFH2162-P1</b>	<b>800 - 900 MHz Power Stage</b>	<b>Power flange package</b>