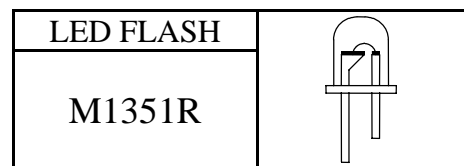




1 OR 2 KEY
ON/OFF & PAUSE
RGB LED IC

單 鍵 OR 兩 鍵
ON/OFF , 暫 停
三 色 燈 LED IC



FEATURES 功能敘述

- ON/OFF : ON/OFF trigger.
- PAUSE : Pause the color and brightness.
- TRIG : ON/OFF & PAUSE trigger , Push switch ≥ 2 sec power off.
- S1,S2 : 4 section pattern select.
- OPT : “ OPEN ” = Sink output, “ VSS ” = Source output.
- DIP,SOP Package 16 pin.

Section	Function	S1	S2
1	1/2 Phase.	X	X
2	七彩主色變化	VDD	X
3	七彩變化	X	VDD
4	七彩交錯漸明漸暗	VDD	VDD

APPLICATION 產品應用

- Blinking LED, Function indicator, R.G.B Mix etc..

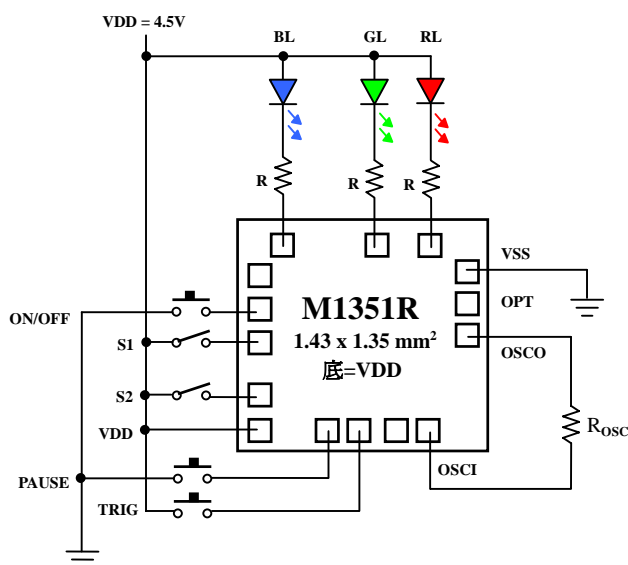
ELECTRICAL CHARACTERISTICS 電氣規格

(@ $V_{DD}=4.5V$ unless otherwise specified)

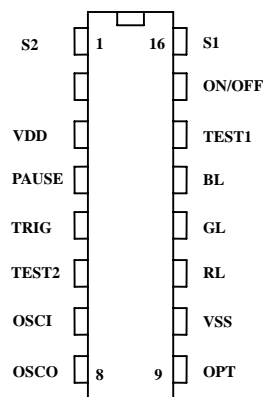
Characteristics	Sym.	Min.	Typ.	Max.	Unit	REMARKS
工作電壓 Operating Voltage	V_{DD}	3.6	4.5	5.0	V	
工作電流 Operating Current	I_{OP}	—	0.1	0.5	mA	No load
靜態電流 Quiescent Current	I_{SB}	—	1	5	μA	
推動電流 Driving Current	I_{OL}	20	—	—	mA	@ $V_{DS} = 1.2 V$
振盪頻率 Oscillator Frequency	F_{osc}	—	128	—	KHz	External $\pm 30\%$, $R_{osc}=180K \Omega$
工作溫度 Operating Temperature	Temp.	-10	25	70	$^{\circ}C$	

APPLICATION DIAGRAM 參考電路圖

(A) SINK OUTPUT



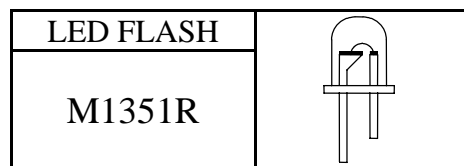
M1351R



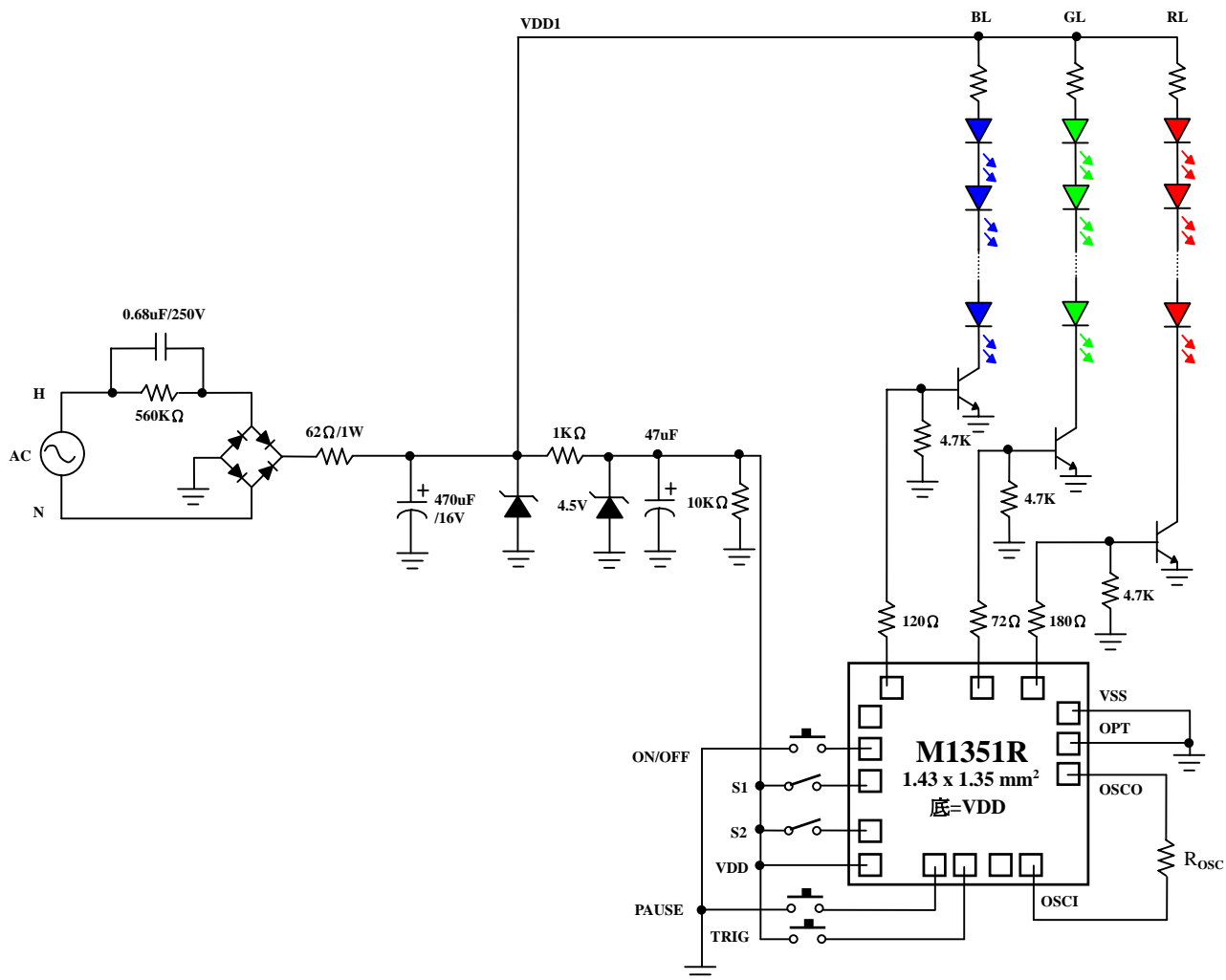


1 OR 2 KEY
ON/OFF & PAUSE
RGB LED IC

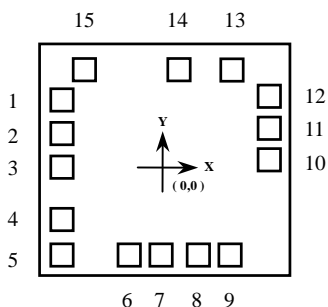
單鍵 OR 兩鍵
ON/OFF, 暫停
三色燈 LED IC



(B) SOURCE OUTPUT



PAD ASSIGNMENT & POSITION



UNIT : um

No.	NAME	X	Y
1	TEST1	-594.40	320.50
2	ON/OFF	-589.40	138.50
3	S1	-589.40	-49.60
4	S2	-589.40	-356.60
5	VDD	-589.40	-552.00
6	PAUSE	-199.00	-552.00
7	TRIG	-12.00	-552.00
8	TEST2	198.30	-552.00
9	OSCI	385.30	-552.00
10	OSCO	589.40	-1.20
11	OPT	594.40	168.50
12	VSS	589.40	343.50
13	RL	369.30	494.70
14	GL	73.10	494.70
15	BL	-481.70	494.70

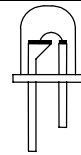
* CHIP SIZE ~ 1.43 X 1.35 mm²

* IC substrate should be connected to VDD in PCB (PCB 上 IC 必須接 VDD)



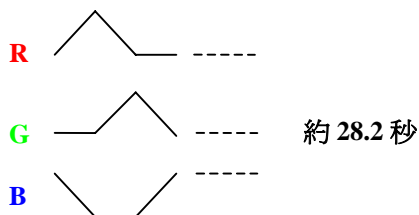
1 OR 2 KEY
ON/OFF & PAUSE
RGB LED IC

單 鍵 OR 兩 鍵
ON/OFF , 暫 停
三 色 燈 LED IC

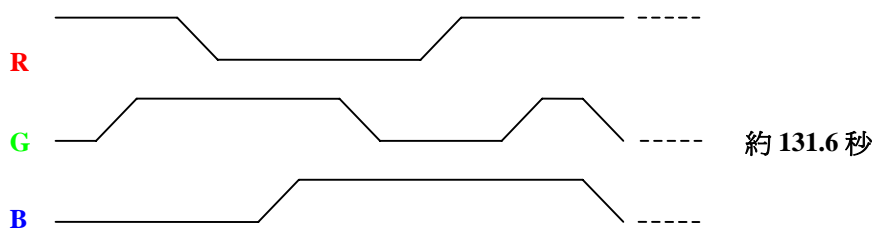
LED FLASH	
M1351R	

PATTERN (變化示意圖)

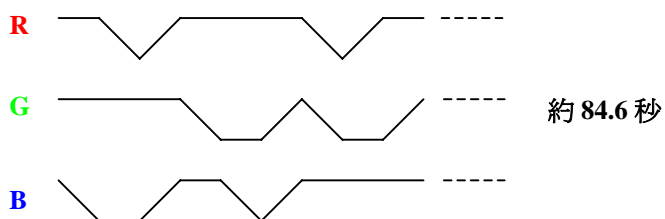
*** SECTION 1 : 1/2 PHASE**



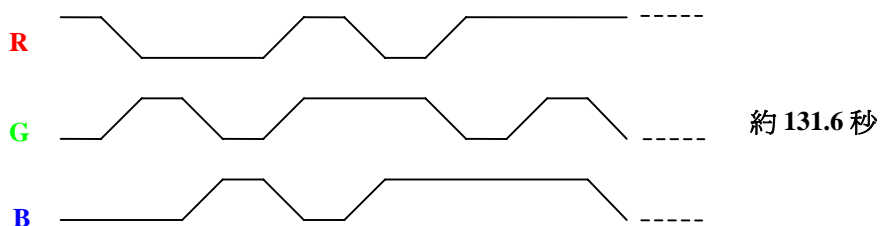
*** SECTION 2 : 七彩主色變化**



*** SECTION 3 : 七彩變化**



*** SECTION 4 : 七彩交錯漸明漸暗**



*All specs and applications shown above subject to change without prior notice.
(以上電路及規格僅供參考,本公司得逕行修正)