

APPLICATIONS

- ✓ Ethernet - 10/100/1000 Base T
- ✓ USB Interface
- ✓ RS-422 & RS-485
- ✓ Microcontrollers

IEC COMPATIBILITY (EN61000-4)

- ✓ 61000-4-2 (ESD): Air - 15kV, Contact - 8kV
- ✓ 61000-4-4 (EFT): 40A - 5/50ns
- ✓ 61000-4-5 (Surge): 24A, 8/20 μ s - Level 2(Line-Gnd) & Level 3(Line-Line)

FEATURES

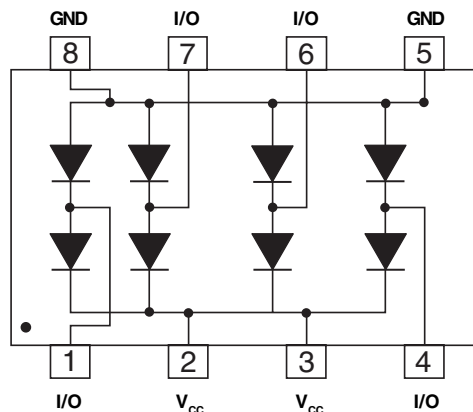
- ✓ ESD Protection > 40 kilovolts
- ✓ Provides Four (4) Lines of Protection
- ✓ Low Leakage Current
- ✓ Ultra Low Capacitance: 6pF Typical
- ✓ RoHS Compliant

MECHANICAL CHARACTERISTICS

- ✓ Molded JEDEC SO-8
- ✓ Weight 70 milligrams (Approximate)
- ✓ Available in Lead-Free Pure-Tin Plating(Annealed)
- ✓ Solder Reflow Temperature:
Pure-Tin - Sn, 100: 260-270°C
- ✓ Consult Factory for Leaded Device Availability
- ✓ Flammability Rating UL 94V-0
- ✓ 12mm Tape and Reel Per EIA Standard 481
- ✓ Marking: Marking Code, Logo, Date Code & Pin One Defined By Dot on Top of Package



PIN CONFIGURATION



PSRDA70-4

DEVICE CHARACTERISTICS

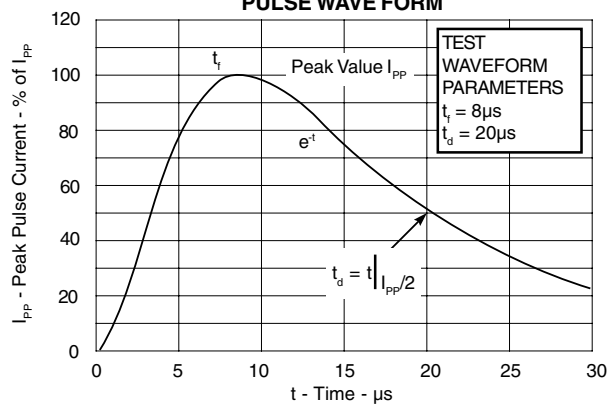
MAXIMUM RATINGS @ 25°C Unless Otherwise Specified

PARAMETER	SYMBOL	VALUE	UNITS
Operating Temperature	T_A	-55 to 150	°C
Storage Temperature	T_{STG}	-55 to 150	°C
Continuous Power Dissipation	P_{PC}	500	mW

ELECTRICAL CHARACTERISTICS PER LINE @ 25°C Unless Otherwise Specified

PART NUMBER	DEVICE MARKING	REPETITIVE PEAK REVERSE VOLTAGE V_{RRM} VOLTS	MAXIMUM FORWARD VOLTAGE @ 100mA V_F VOLTS	MAXIMUM FORWARD PEAK PULSE CURRENT (See Figure 1) @ 8/20 μ s I_{FM} AMPS	MAXIMUM REVERSE LEAKAGE CURRENT @ V_{RRM} I_R μ A	MAXIMUM CAPACITANCE (Between Line & Ground) @ 0V, 1MHz C_j pF
PSRDA70-4	PRG	70	1.1	24	5	6

**FIGURE 1
PULSE WAVE FORM**



PSRDA70-4

SO-8 PACKAGE OUTLINE & DIMENSIONS

PACKAGE OUTLINE

⊕ 0.010" (0.25 MM) Ⓜ B Ⓜ
 4 PL

⊕ 0.010" (0.25 MM) Ⓜ T B Ⓢ A Ⓢ
 8 PL

SO-8

PACKAGE DIMENSIONS

DIM	MILLIMETERS		INCHES	
	MIN	MAX	MIN	MAX
A	4.80	5.00	0.189	0.196
B	3.80	4.00	0.150	0.157
C	1.35	1.75	0.054	0.068
D	0.35	0.49	0.014	0.019
F	0.40	1.250	0.016	0.049
G	1.27 BSC	1.27 BSC	0.05 BSC	0.05 BSC
J	0.18	0.25	0.007	0.009
K	0.10	0.25	0.004	0.008
P	5.80	6.20	0.229	0.244
R	0.25	0.50	0.010	0.019

NOTES

1. - T = Seating Plane and Datum Surface.
2. Dimensions "A" and "B" are Datum.
3. Dimensions "A" and "B" do not include mold protrusion.
4. Maximum mold protrusion is 0.015" (0.380 mm) per side.
5. Dimensioning and tolerances per ANSI Y14.5M, 1982.
6. Dimensions are exclusive of mold flash and metal burrs.

TAPE & REEL/BULK ORDERING NOMENCLATURE

1. Surface mount product is taped and reeled in accordance with EIA-481.
2. Suffix-T7 = 7 Inch Reel - 1,000 pieces per 12mm tape, i.e. PSRDA70-4-T7.
3. Suffix-T13 = 13 Inch Reel - 2,500 pieces per 12mm tape, i.e., PSRDA70-4-T13.
4. Suffix - LF = Lead-Free, Pure-Tin Plating, i.e., PSRDA70-4-LF-T7.
5. No Suffix = Product Shipped in Tubes of 98 pcs per Tube.

Outline & Dimensions: Rev 1 - 11/01, 06009

MOUNTING PAD

$0.050 \pm 0.005"$
 $0.160 \pm 0.005"$
 $0.030 \pm 0.005"$
 $0.245" \text{ MIN}$
 $0.045 \pm 0.005"$

COPYRIGHT © ProTek Devices 2007

SPECIFICATIONS: ProTek reserves the right to change the electrical and or mechanical characteristics described herein without notice (except JEDEC).

DESIGN CHANGES: ProTek reserves the right to discontinue product lines without notice, and that the final judgement concerning selection and specifications is the buyer's and that in furnishing engineering and technical assistance, ProTek assumes no responsibility with respect to the selection or specifications of such products.

ProTek Devices
 2929 South Fair Lane, Tempe, AZ 85282
 Tel: 602-431-8101 Fax: 602-431-2288
 E-Mail: sales@protekdevices.com
 Web Site: www.protekdevices.com